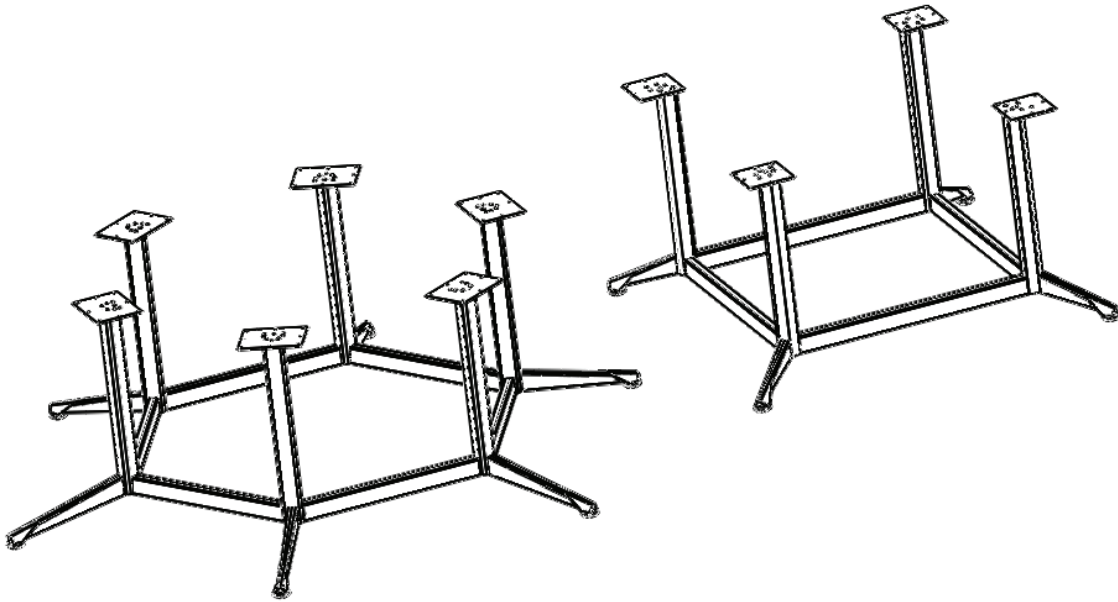


ENWORK

ZORI CONFERENCE TABLES  
INSTALLATION GUIDE

CONFERENCE TABLES



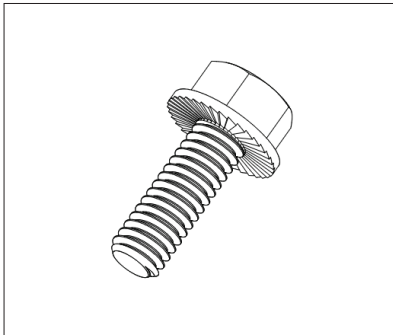
Z I 0 0 1 1 / C Y 6 X X X , C Y 4 X X X

Zori Conference Table Installation

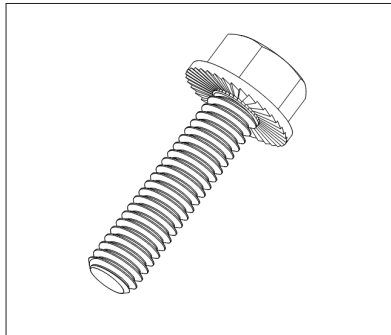
# ENWORK

## INSTALLATION GUIDE

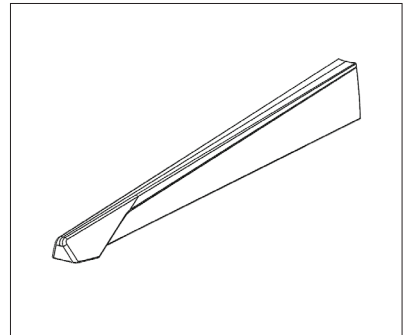
### 1) PARTS AND FASTENERS INCLUDED



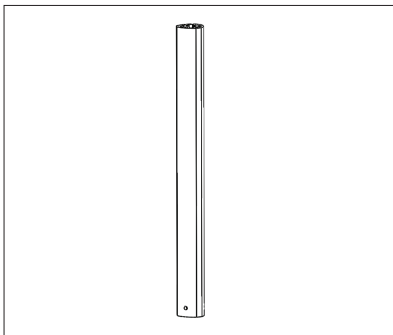
5/16 - 18 x 7/8 Bolts



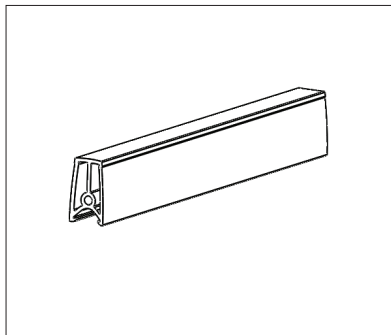
5/16 - 18 x 1.25 Bolts



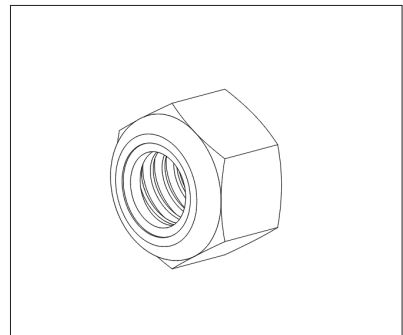
Zori Feet



Zori Columns

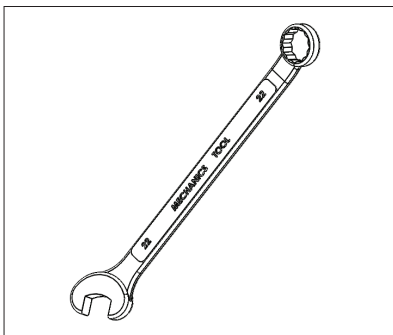


Footbars



5/16 - 18 Locknuts

### 2) TOOLS AND SUPPLIES REQUIRED



1/2 Ratcheting Wrench

# ENWORK

## INSTALLATION GUIDE

### 3) ASSEMBLY OVERVIEW:

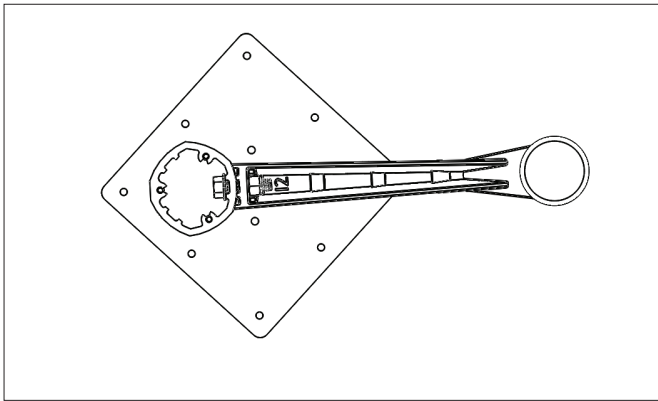


FIGURE 1 ZORI FEET ATTACHMENT

1. If the feet have not been assembled, attach them to the Legs in the orientation in Figure #1. You will need the  $\frac{5}{16}$ -18 x 1.25 Bolts and  $\frac{5}{16}$ -18 Locknuts

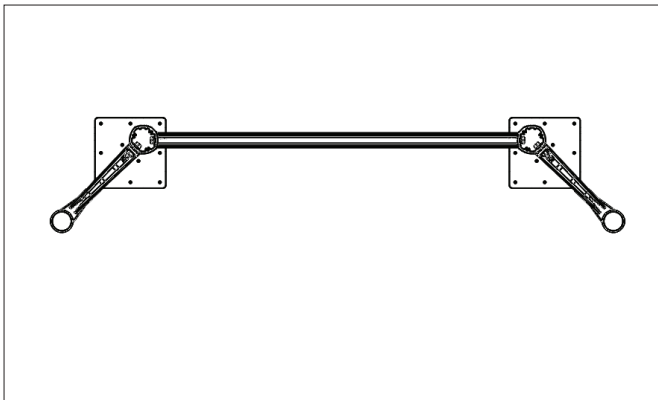


FIGURE 2 ZORI FOOTBAR ATTACHMENT

2. Once the feet are attached the footbars must be assembled. All the footbars use the  $\frac{5}{16}$ -18 x  $\frac{7}{8}$  Bolts.
3. Bolt a footbar between two legs as seen in Figure #2. Repeat this until you have as many leg pairs as possible.

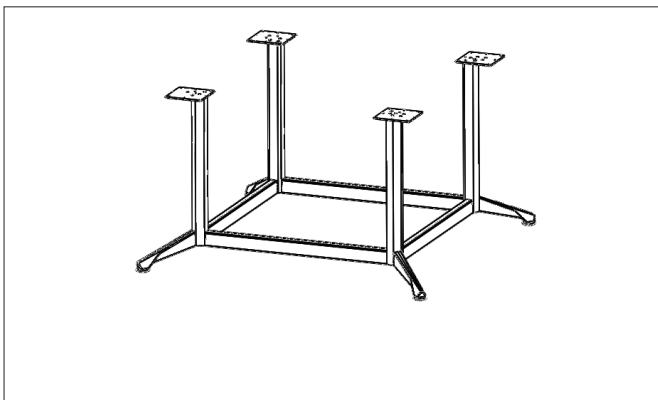


FIGURE 3 ZORI FINAL BASE (4 LEG)

4. Take the remaining footbars and use them to attach the Leg pairs together. A four leg table is shown in Figure #3.

ENWORK

1.800.815.7251

[www.enwork.com](http://www.enwork.com)

12900 Christopher Dr. Lowell, MI 49331

Specifications subject to change without notice.

Rev 02.2020