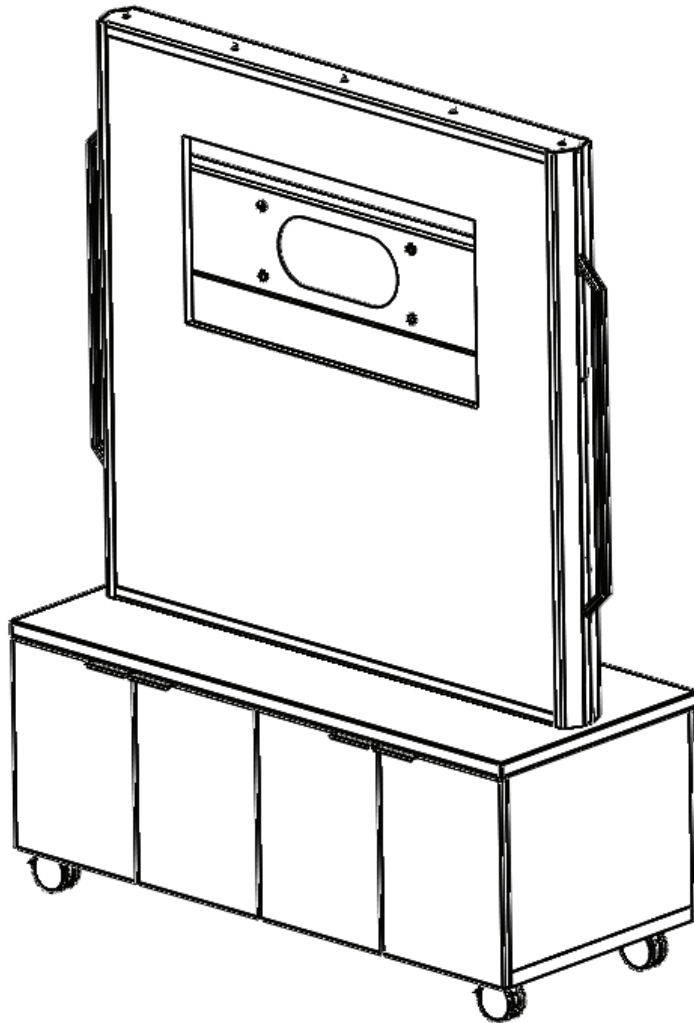


ENWORK

ZORI MEDIA CART CASTER
PLATE ASSEMBLY INSTRUCTIONS

TRAINING TABLES



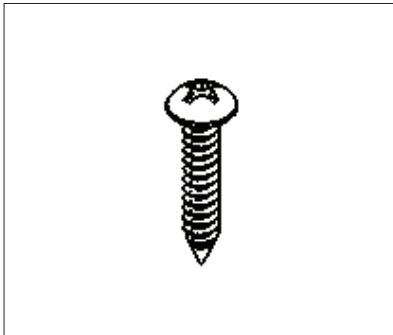
Z I 0 0 0 8

Rev B

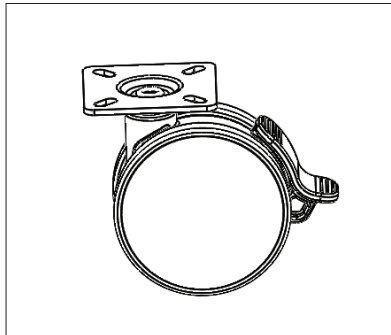
ENWORK

INSTALLATION GUIDE

1) PARTS AND FASTENERS INCLUDED

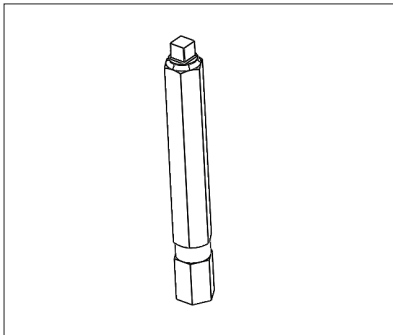


10 x 1 Truss Head Square Drive Screw

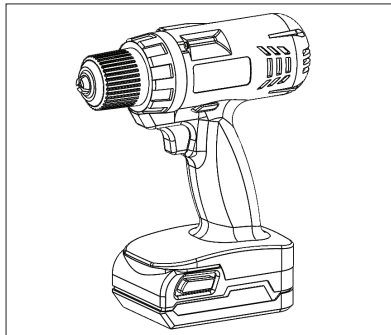


Caster on Plate

2) TOOLS AND SUPPLIES REQUIRED



Square Head Screw Driver



Electric Drill

INSTALLATION GUIDE

3) ASSEMBLY OVERVIEW:

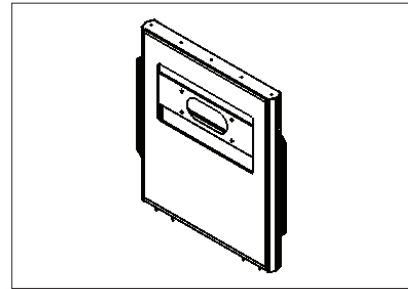
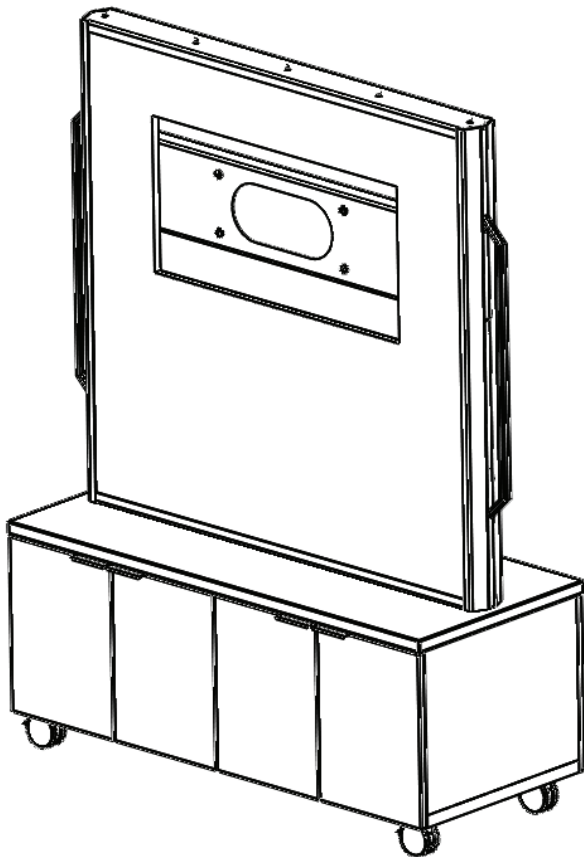


FIGURE 1 FRAME ASSEMBLY

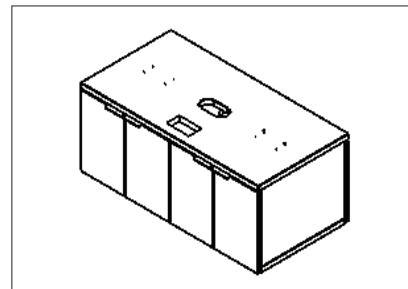


FIGURE 2 CREDENZA ASSEMBLY

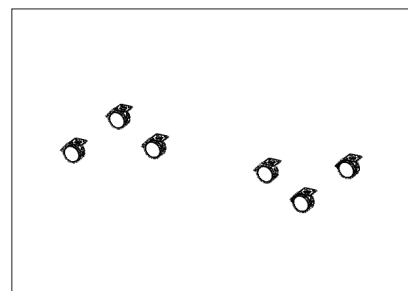


FIGURE 3 CASTERS

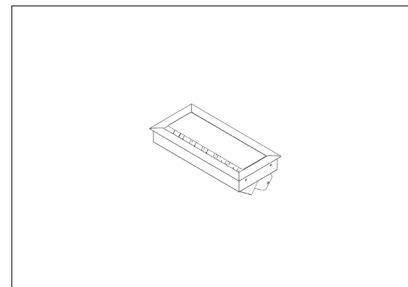


FIGURE 4 CASTERS

3) ASSEMBLY OVERVIEW CONT:

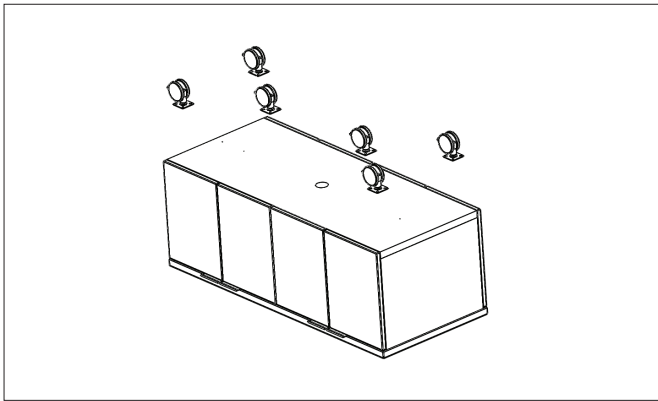


FIGURE 5

- Lay the Credenza Assembly(Fig.#1) top face down on a non-marring surface. Fig.#5
- Attach the casters on the bottom panel, using the diagrams on the final page.
- Attach the base frame to the bottom panel using the included (24) #10 x 1 Truss Head Square Drive Screws.

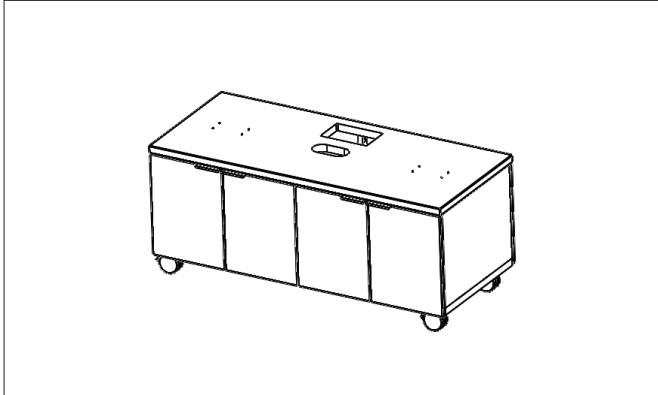


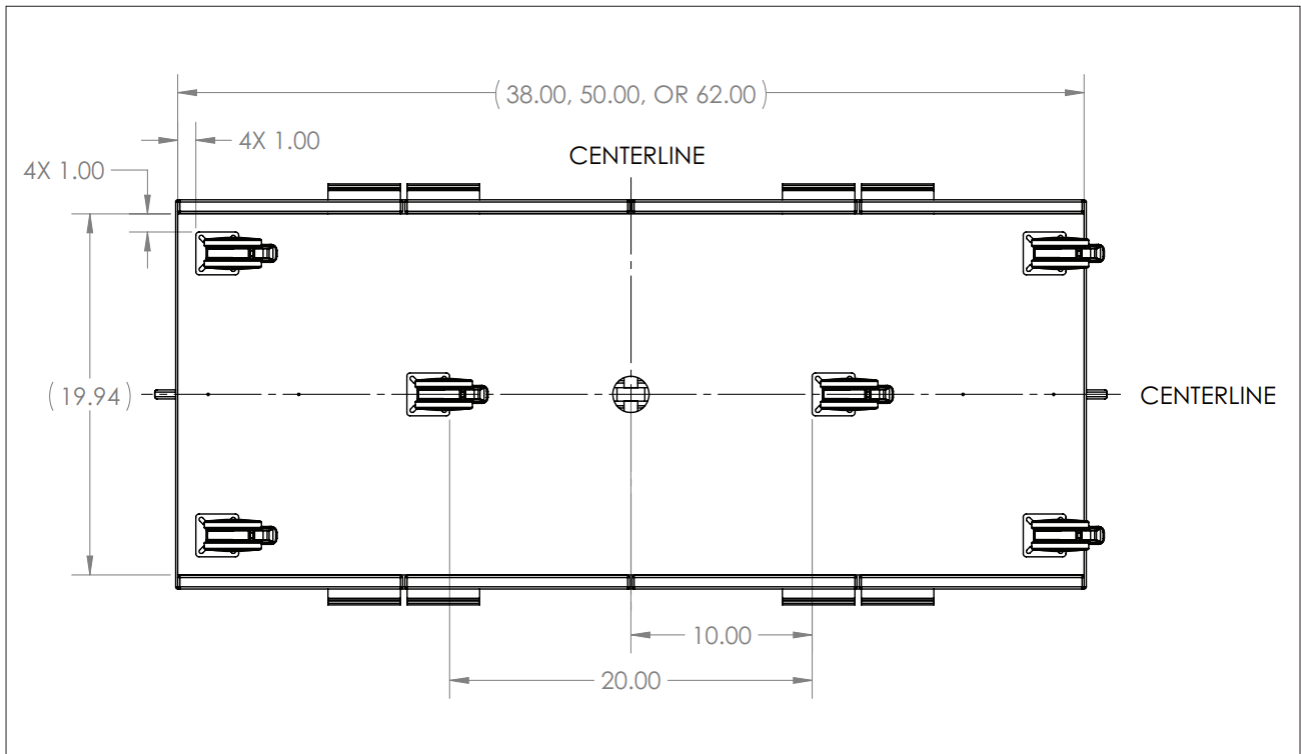
FIGURE 6

- Flip the Credenza Assembly/Base Frame Assembly to an upright position and lock the casters. Fig.#6
- See Zori Media Cart Assembly Instructions for any further assembly.

ENWORK

INSTALLATION GUIDE

CASTER PLACEMENT DIAGRAM



ENWORK

1.800.815.7251

www.enwork.com

12900 Christopher Dr. Lowell, MI 49331

Specifications subject to change without notice.

Rev 02.2020