

ENWORK

ZORI CREDENZA
INSTALLATION GUIDE

UNIVERSAL SUPPORT FURNITURE



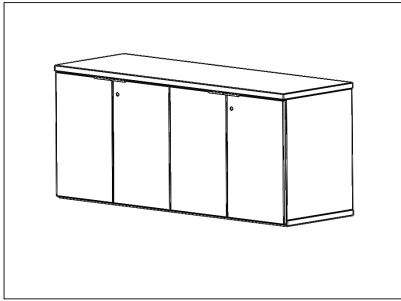
Z I 0 0 0 7

Zori Credenza Installation Guide – Revision A

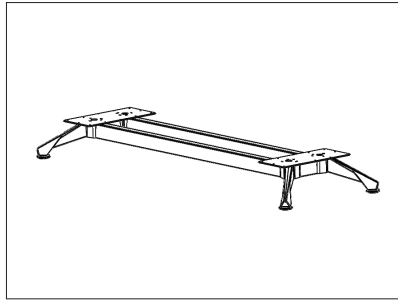
ENWORK

INSTALLATION GUIDE

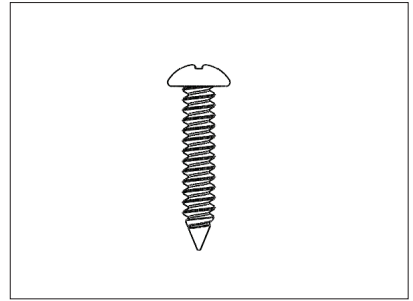
1) PARTS AND FASTENERS INCLUDED



Credenza Case

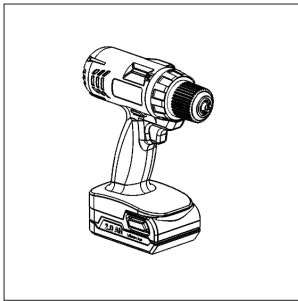


Credenza Base

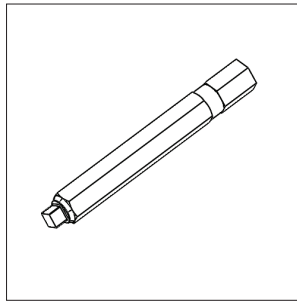


#10-1" Panhead Screw

2) TOOLS AND SUPPLIES REQUIRED



Drill



#2 Square Bit

ENWORK

INSTALLATION GUIDE

3) ASSEMBLY:

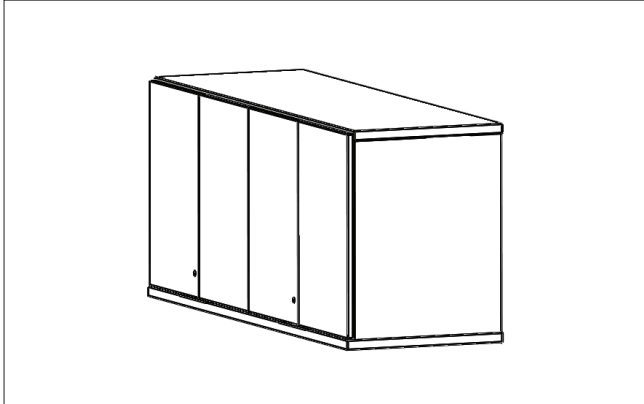


FIGURE 3.1

Lay the Case upside-down on a clean, nonmarring surface.

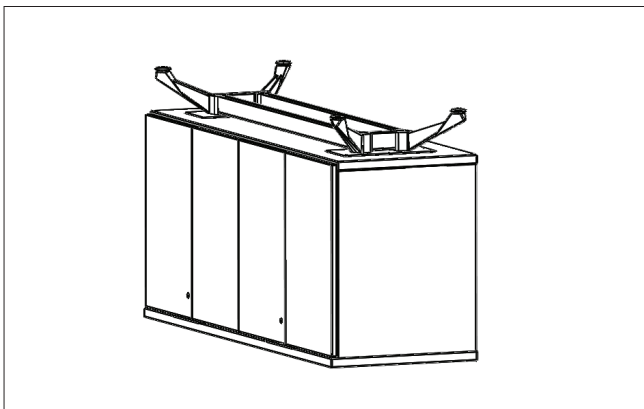


FIGURE 3.2

Center the base onto the bottom of the case and fill all the holes with the #10-1" screws provided.

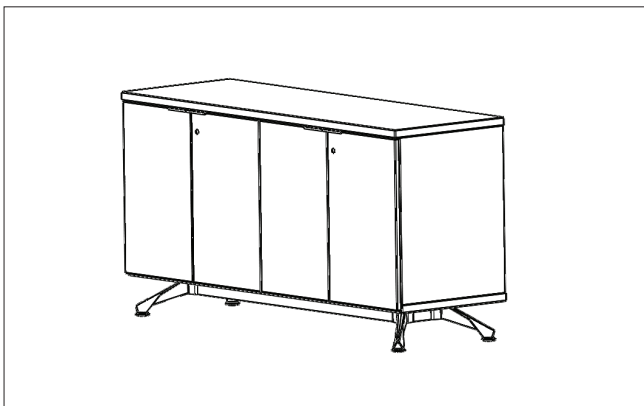


FIGURE 3.3

Flip the assembly upright and carry it into its final position.

ENWORK

1.800.815.7251

www.enwork.com

12900 Christopher Dr. Lowell, MI 49331

Specifications subject to change without notice.

Rev 04.2020