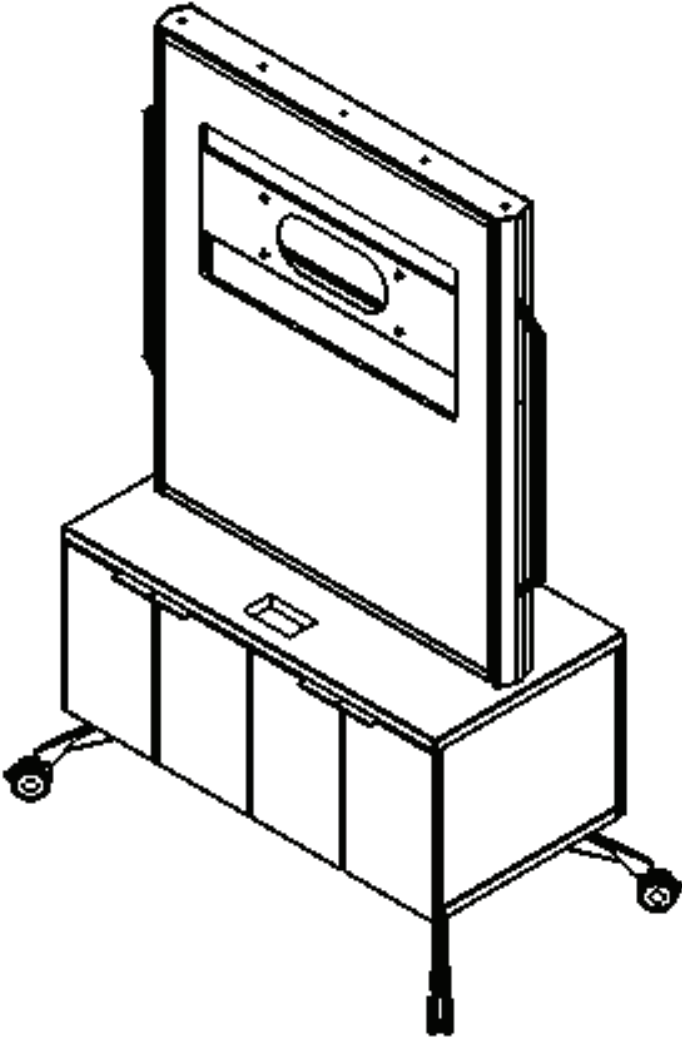


ENWORK

ZORI MEDIA CART
ASSEMBLY INSTRUCTIONS

TRAINING TABLES



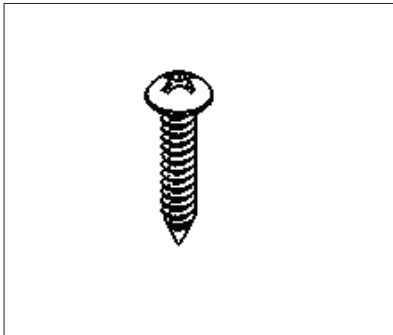
Z I 0 0 0 6

Rev B

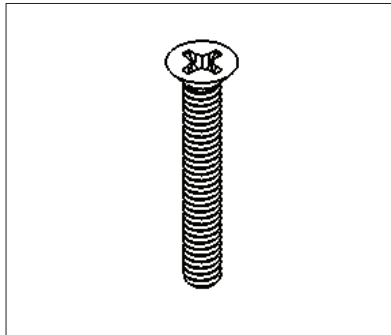
ENWORK

INSTALLATION GUIDE

1) PARTS AND FASTENERS INCLUDED

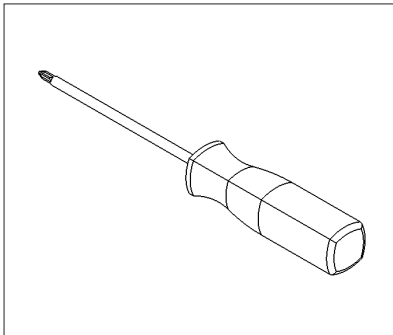


10 x 1-1/4 Button Head Screw



1/4 -20 x 1-3/4 Flat Head Screw

2) TOOLS AND SUPPLIES REQUIRED



Phillips Head Screw

INSTALLATION GUIDE

3) ASSEMBLY OVERVIEW:

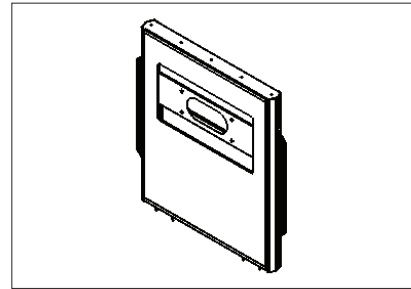
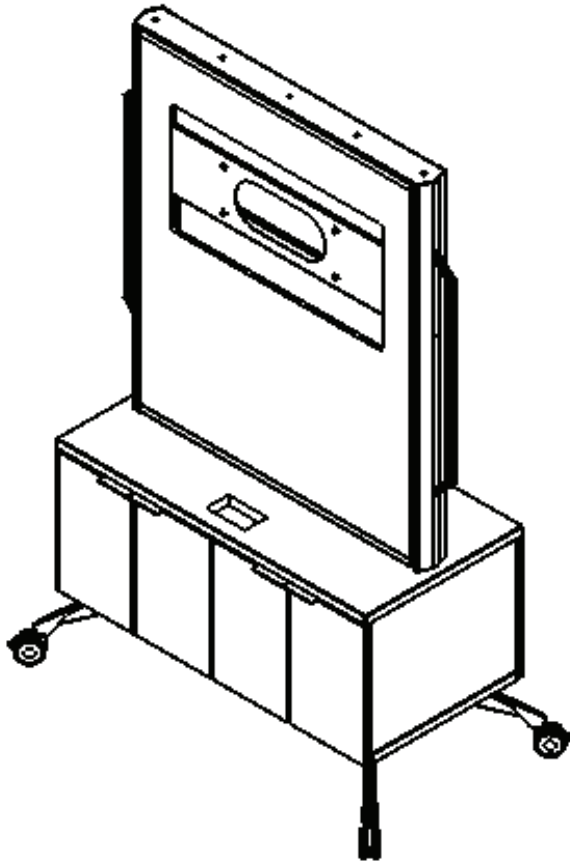


FIGURE 1 FRAME ASSEMBLY

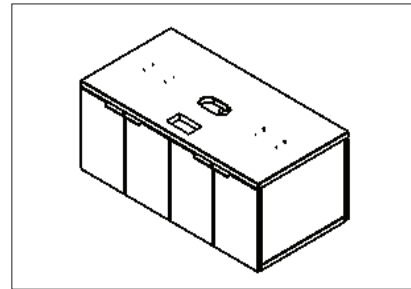


FIGURE 2 CREDENZA ASSEMBLY

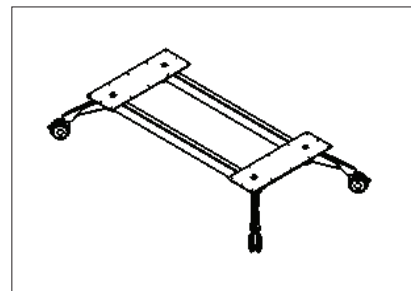


FIGURE 3 BASE FRAME ASSEMBLY

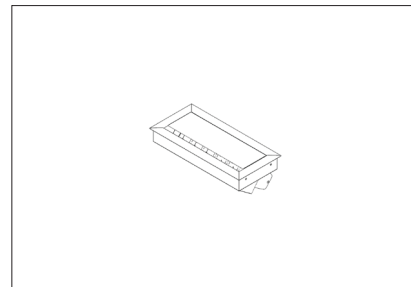


FIGURE 4 POWER UNIT (SPECIFIC UNIT MAY VARY)

3) ASSEMBLY OVERVIEW CONT:

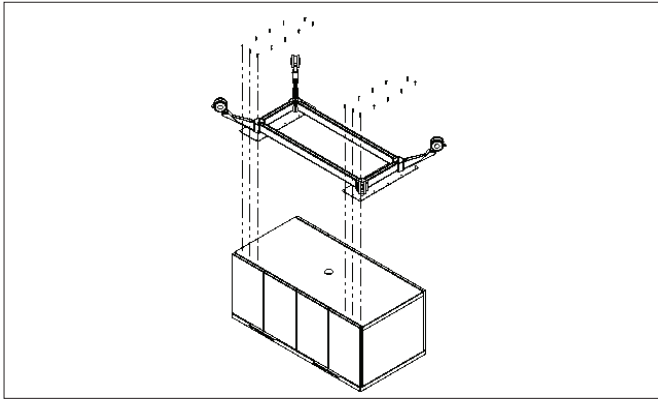


FIGURE 5

- Lay the Credenza Assembly(Fig.#1) top face down on a non-marring surface. Fig.#4
- Place the Base Frame Assembly(Fig.#3) on the bottom panel, spaced evenly from all sides .
- Attach the base frame to the bottom panel using the included (16) #10 x 1-1/4 Button Head Screws.

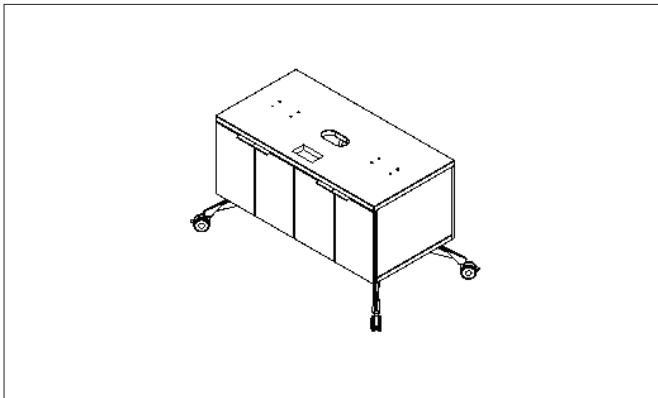


FIGURE 6

- Rotate the Credenza Assembly/Base Frame Assembly to an upright position and lock the casters. Fig.#5

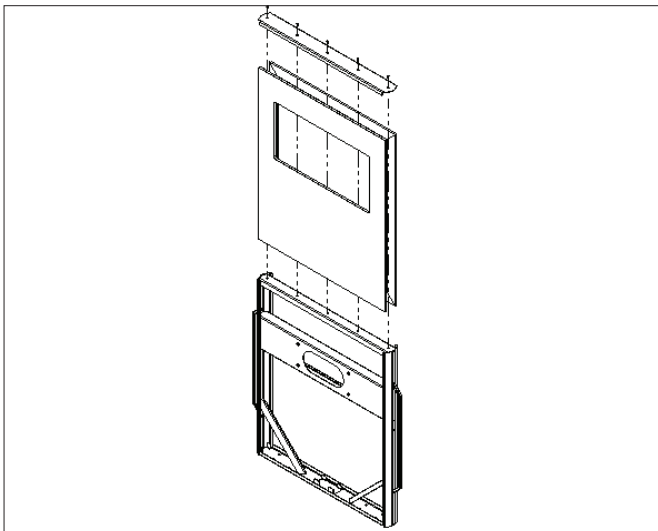


FIGURE 7

- Using a philips head screw driver, remove the (5) screws and top cap from the Frame Assembly (Fig.#1)
- Carefully remove the whiteboard panels and set aside.

3) ASSEMBLY OVERVIEW CONT. 2:

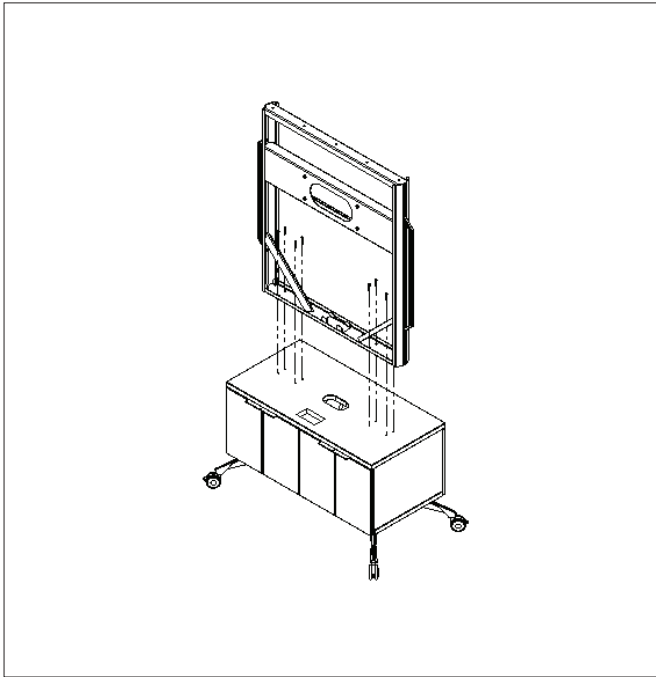


FIGURE 8

- Place the Frame Assembly(Fig.#1)on top of the Credenza Assembly/Base Frame Assembly(Fig.#5).
- Align the frame holes with the predrilled holes on the Credenza. Fig.#4
- Start to thread the (8) $\frac{1}{4}$ -20 x $1\text{-}\frac{3}{4}$ Flat Head Screw but do not tighten until all the screws are loosely placed.
- Tighten the (8) $\frac{1}{4}$ -20 x $1\text{-}\frac{3}{4}$ Flat Head Screws.

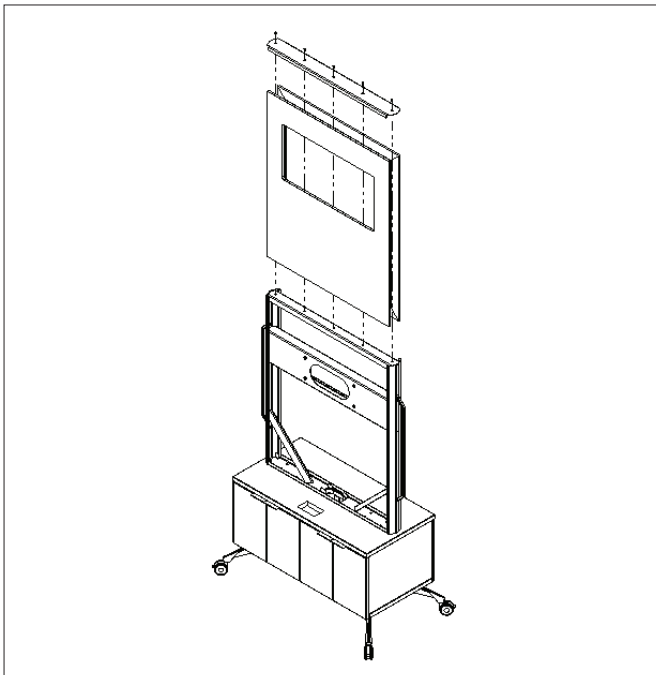


FIGURE 9

- Carefully replace the whiteboard panels.
- Replace the frame assembly top cap and replace and tighten the philips head screws
- Insert Power unit (Fig.#4)
- The assembly is now ready for the monitor mount.

ENWORK

1.800.815.7251

www.enwork.com

12900 Christopher Dr. Lowell, MI 49331

Specifications subject to change without notice.

Rev 02.2020