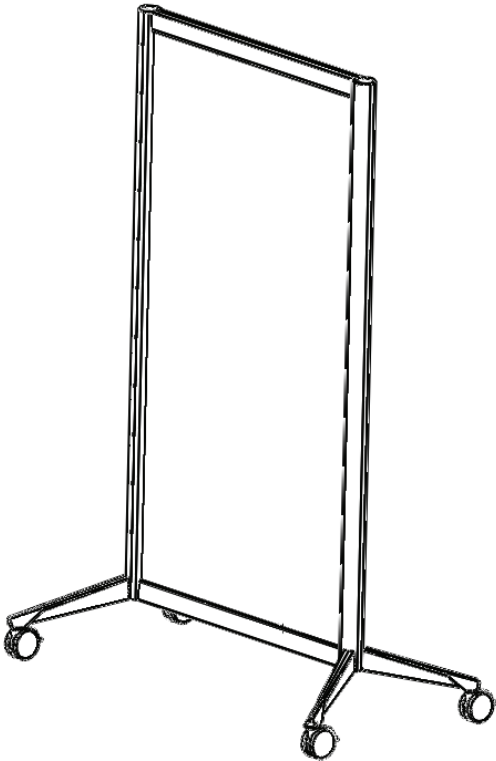


ENWORK

ZORI WHITEBOARD  
INSTALLATION INSTRUCTIONS

TRAINING TABLES



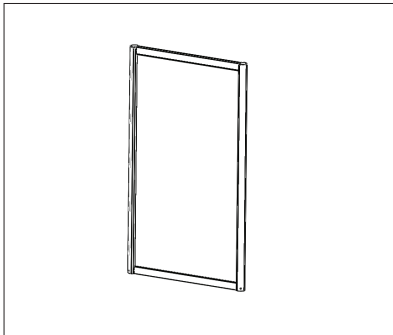
Z I 0 0 0 5

03/04/2019 - Rev A

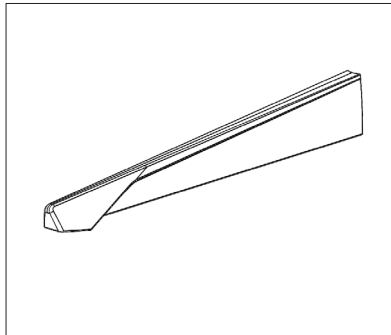
# ENWORK

## INSTALLATION GUIDE

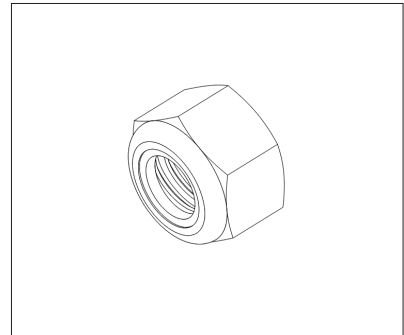
### 1) PARTS AND FASTENERS INCLUDED



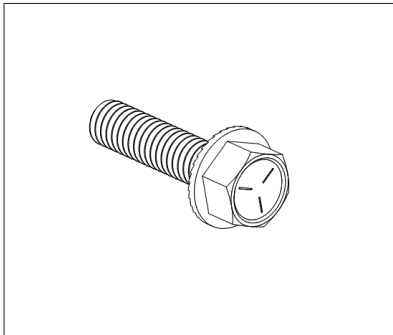
Whiteboard Frame



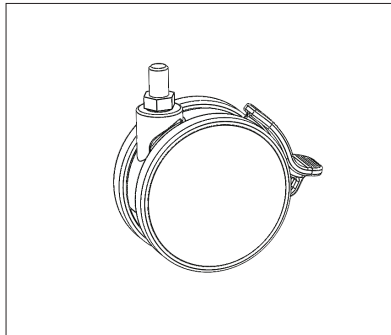
Zori Feet (4)



5/16-18 1.25 Nylock Nut (4)

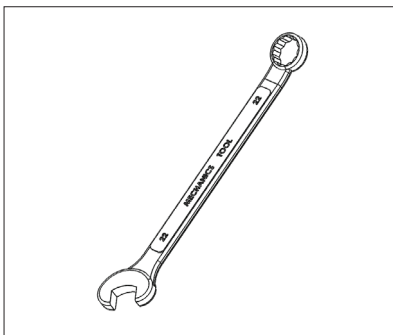


5/16-18 x 1.25 Flange Bolts (4)



CSTCCx 3/8-16 Casters (4)

### 2) TOOLS AND SUPPLIES REQUIRED



Racheting 1/2 Wrench

## INSTALLATION GUIDE

### 3) ASSEMBLY OVERVIEW:

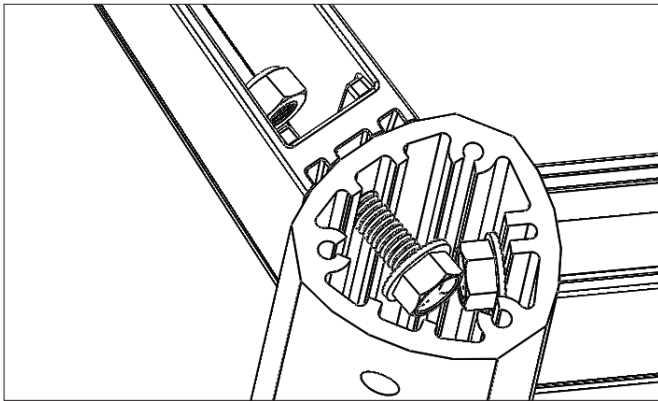


FIGURE 1

1. Thread the bolt through the hole in the whiteboard frame. Place the nut in the foot and tighten with the ratcheting wrench. (Figure #1)

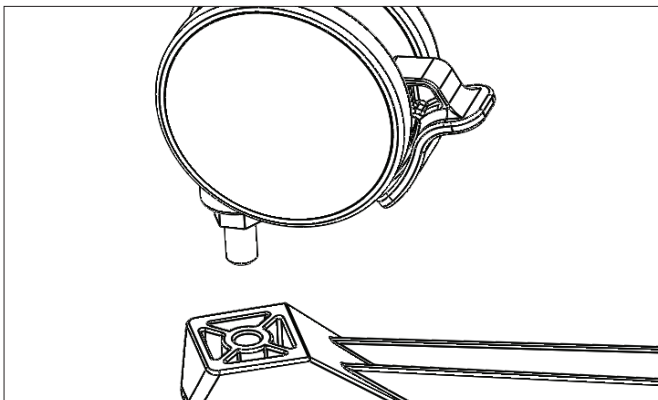


FIGURE 2

2. Screw the caster onto the foot. (Figure #2)

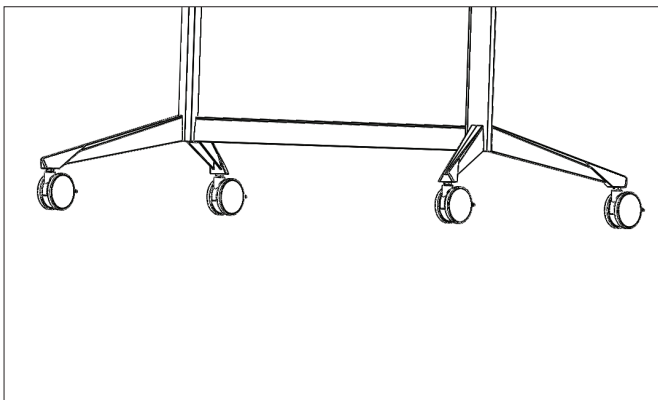


FIGURE 3

3. Repeat three times until all four legs are attached. (Figure #3)

ENWORK

1.800.815.7251

[www.enwork.com](http://www.enwork.com)

12900 Christopher Dr. Lowell, MI 49331

Specifications subject to change without notice.

Rev 02.2020