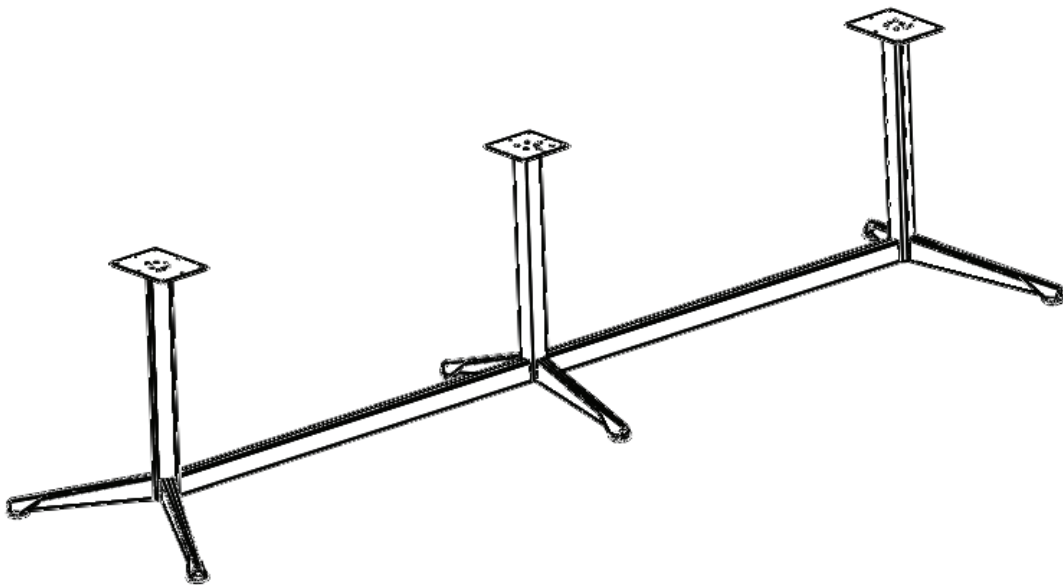


ENWORK

ZORI CONFERENCE TABLE INSTALLATION INSTRUCTIONS

CONFERENCE TABLE

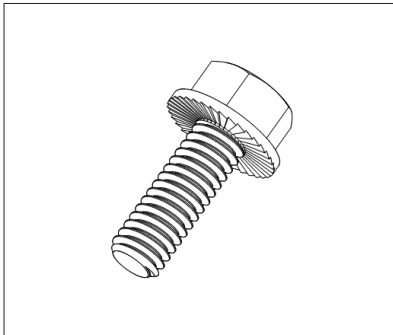


Z I 0 0 0 4 / C Y Y B X X X

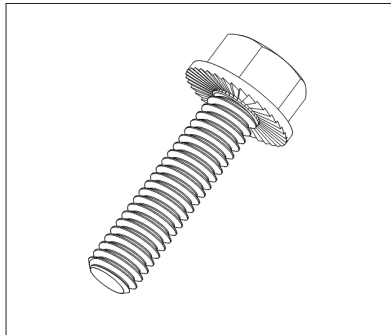
ENWORK

INSTALLATION GUIDE

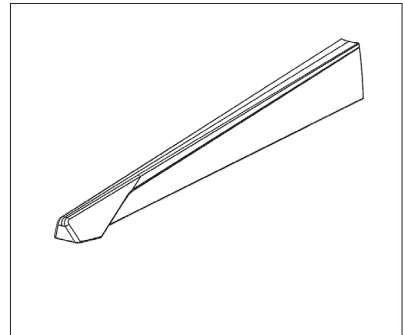
1) PARTS AND FASTENERS INCLUDED



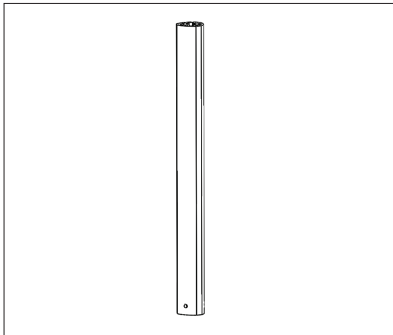
5/16-18 x 7/8 Bolts



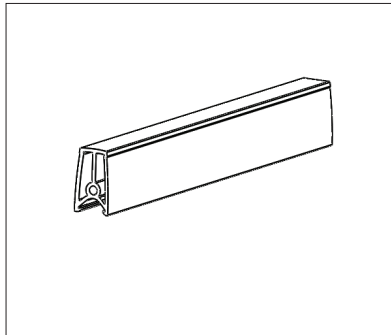
5/16-18 x 1.25 Bolts



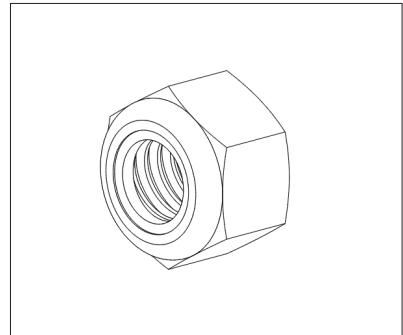
Zori Feet



Zori Columns

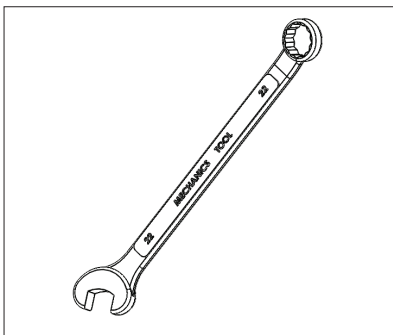


Footbars



5/16-18 x 1.25 Nylock Nut

2) TOOLS AND SUPPLIES REQUIRED



Racheting 1/2" Wrench

ENWORK

INSTALLATION GUIDE

3) ASSEMBLY OVERVIEW:

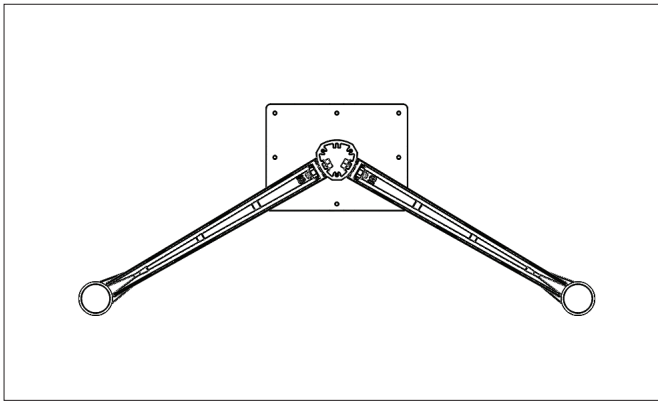


FIGURE 1 ZORI END LEG ATTACHMENT

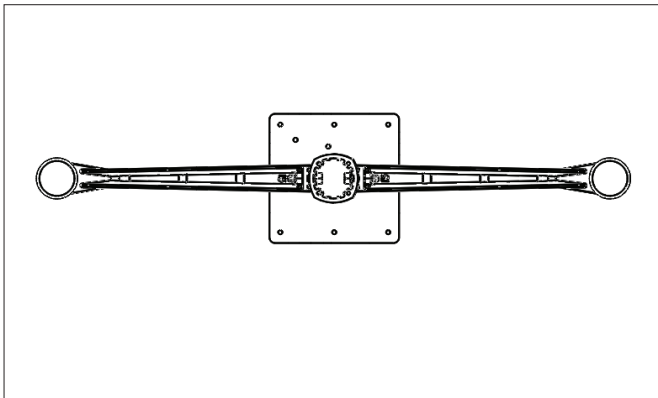


FIGURE 2 ZORI CENTER LEG FEET ATTACHMENT

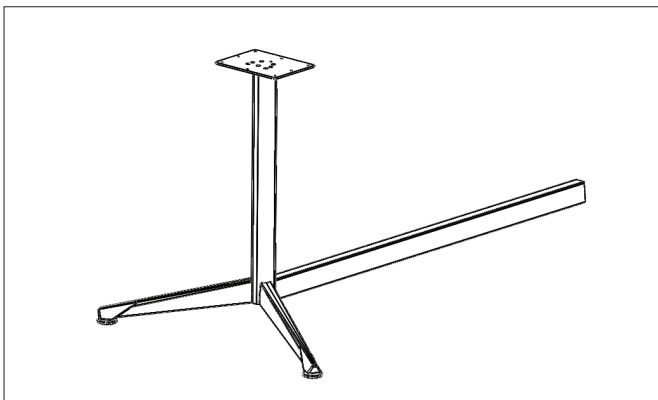


FIGURE 3 ZORI END FOOTBAR

1. Center Legs on the table are square. There are two legs that are not square, these go at the ends of the table.

2. If the feet have not been assembled, attach them to the End Legs in the orientation in Figure #1. You will need the $\frac{5}{16}$ -18 x 1.25 Bolts and $\frac{5}{16}$ -18 Locknuts.

3. The Center Leg feet are attached as seen in Figure #2. Tables shorter than 108" long will not use Center Legs.

4. Once the feet are attached the footbars must be assembled. All the footbars use the $\frac{5}{16}$ -18 x $\frac{7}{8}$ Bolts.

5. Start by attaching the footbar to one of the End Legs. Figure #3

ENWORK

INSTALLATION GUIDE

3) ASSEMBLY OVERVIEW CONT:

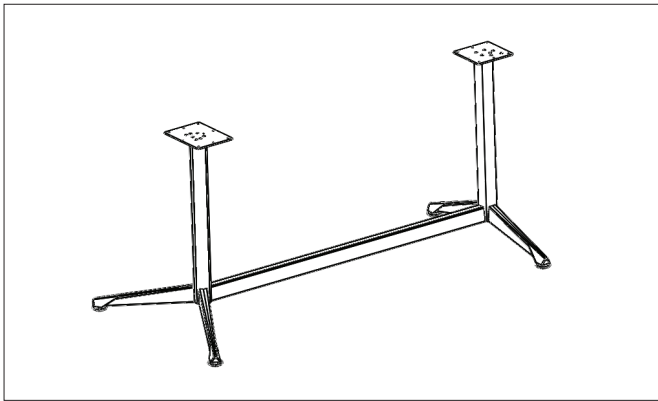


FIGURE 4 FOOTBARS ATTACHED

6. Attach the Center Leg using the same bolt. The result can be seen in Figure #4. If the table is shorter than 108" skip to step #5.

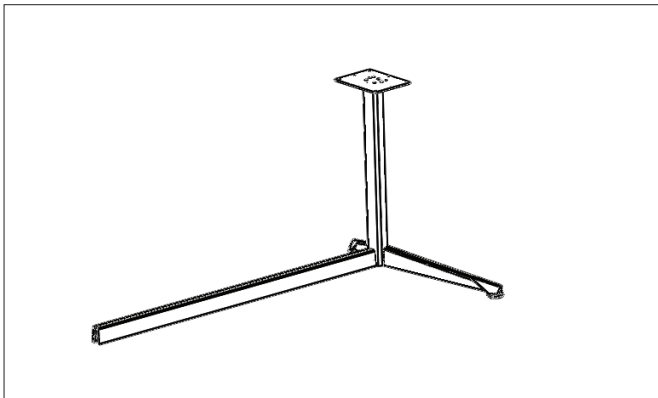


FIGURE 5

7. Next, attach the footbar to the second End Leg. Figure #5.

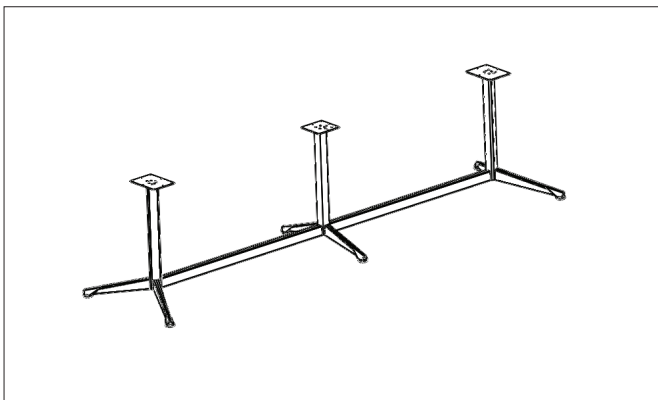


FIGURE 6

8. Finally, attach the Footbar to the Center Leg to complete the table. Figure #6.

ENWORK

1.800.815.7251

www.enwork.com

12900 Christopher Dr. Lowell, MI 49331

Specifications subject to change without notice.

Rev 02.2020