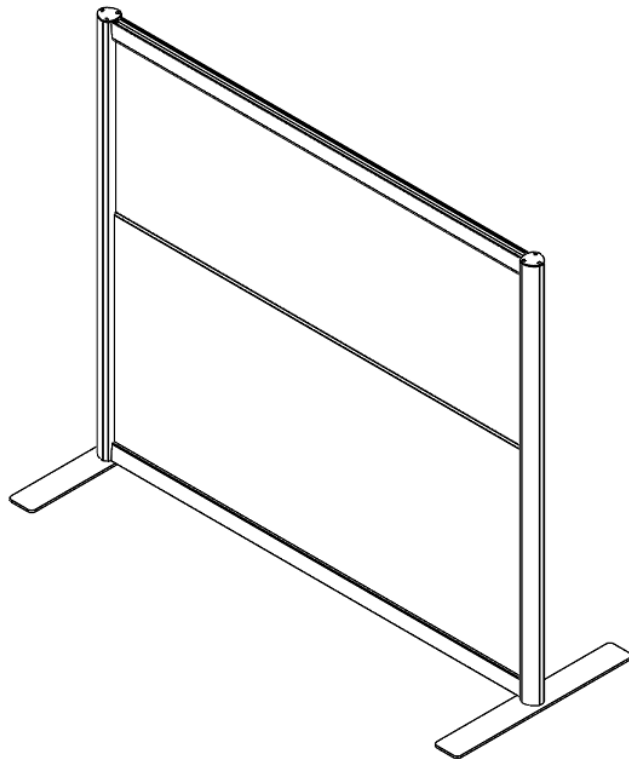


ENWORK

ZORI FREESTANDING SINGLE SCREEN INSTALLATION GUIDE

SCREENS



Z I 0 0 0 1

Zori Freestanding Single Screens Installation Guide – Rev B.

WARNING:

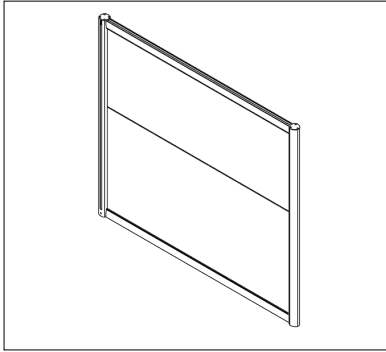
Acrylic screens scratch and scuff easily. After removing protective film, immediately and carefully install the screen.

DO NOT remove protective film from acrylic screens, then stack them in a pile or against each other. Experience shows this will cause marring and scratching.

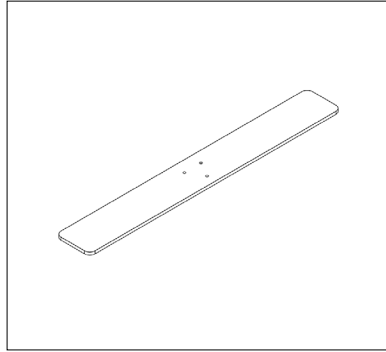
ENWORK

INSTALLATION GUIDE

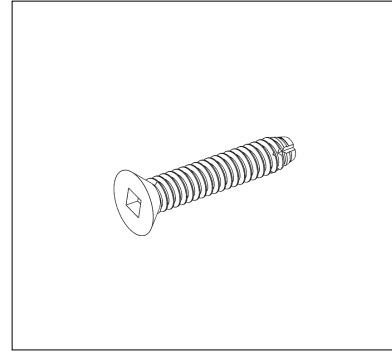
1) PARTS AND FASTENERS INCLUDED



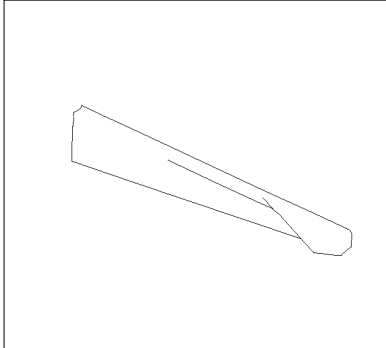
Screen Assembly



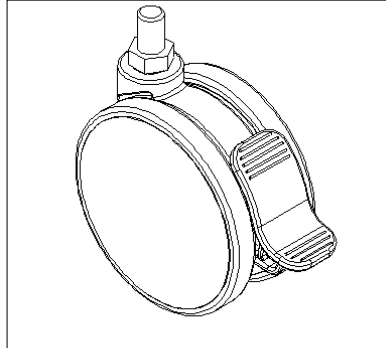
Screen Foot - FRM-1910
(Freestanding Option)



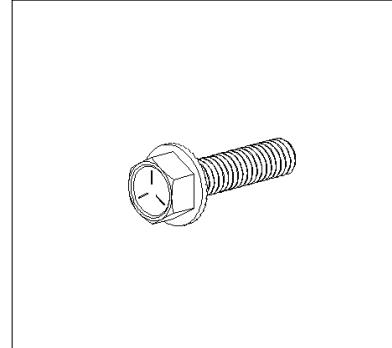
10-24 x 1" Phillips Flat Head Type F
(Freestanding Option)



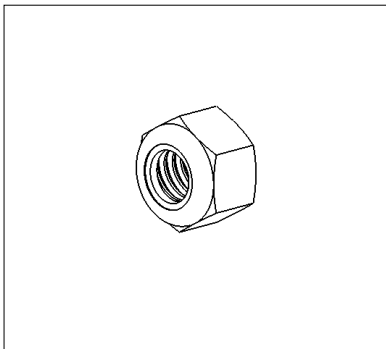
Zori Foot Casting - CYX-1022-15
(Mobile Option)



Zori Foot Casting - CYX-1022-15
(Mobile Option)



5/16-18 x 1 1/4" Serrated Flange Bolt
(Mobile Option)

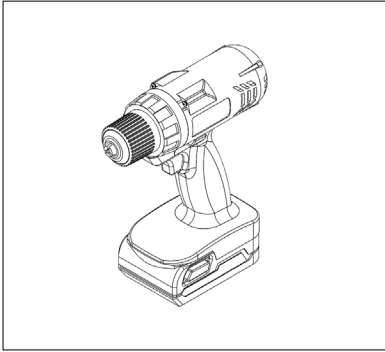


5/16-18 Steel Nylon Insert Locknut
(Mobile Option)

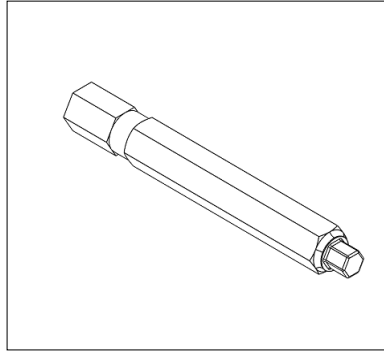
ENWORK

INSTALLATION GUIDE

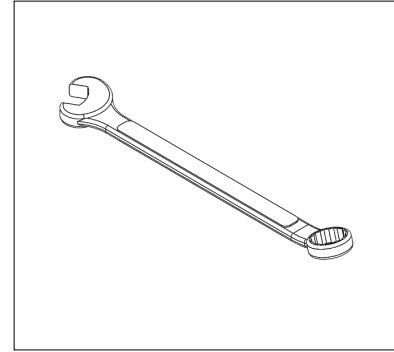
2) TOOLS AND SUPPLIES REQUIRED



Drill



Hex Driver Bit



Combination Wrench
(Ratcheting Suggested)

ENWORK

INSTALLATION GUIDE

3) ASSEMBLY: FREESTANDING SCREEN

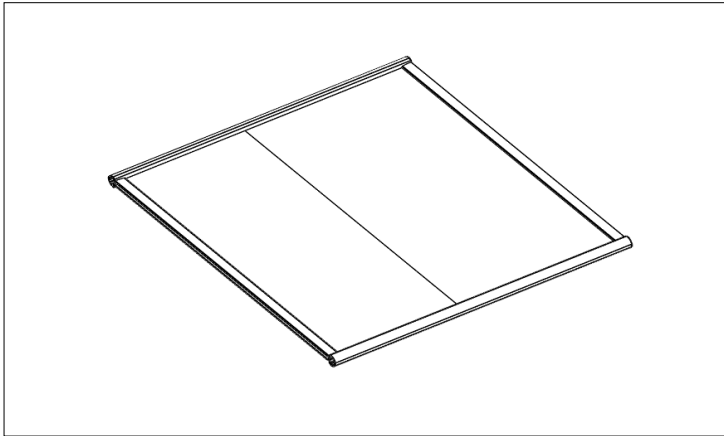


FIGURE 3.1

1. Lay Screen Assembly flat on a non-marring surface large enough to support the metal framework.

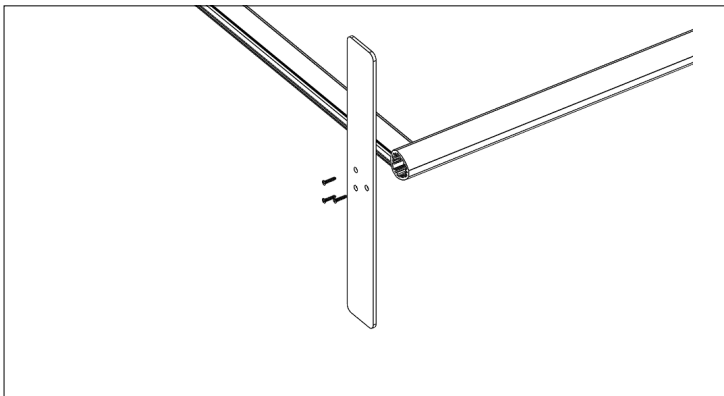


FIGURE 3.2

2. Attach the Foot using (3) 10-24 x 1 Square Drive Flat Head

Repeat for the other foot.

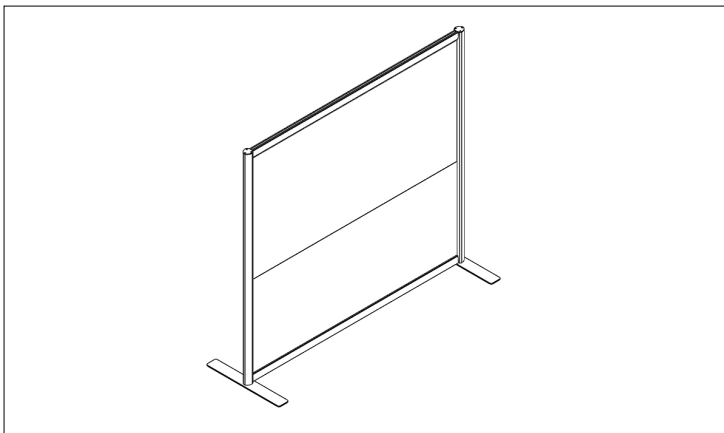


FIGURE 3.3

3. Place in upright position

Assembly complete

ENWORK

INSTALLATION GUIDE

4) ASSEMBLY: MOBILE SCREEN

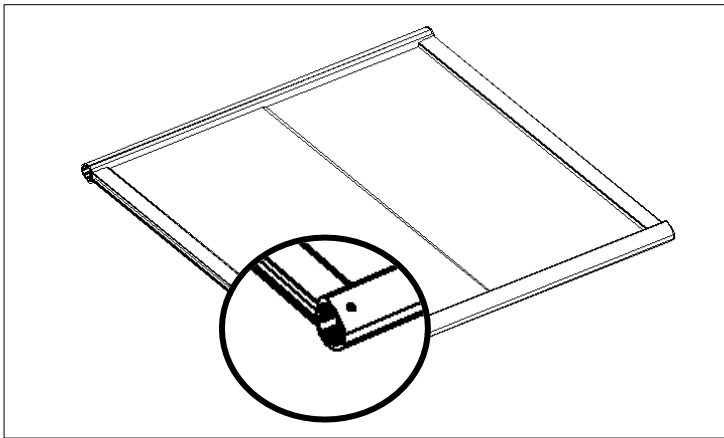


FIGURE 4.1

1. Lay Screen Assembly flat on a non-marring surface large enough to support the metal framework.

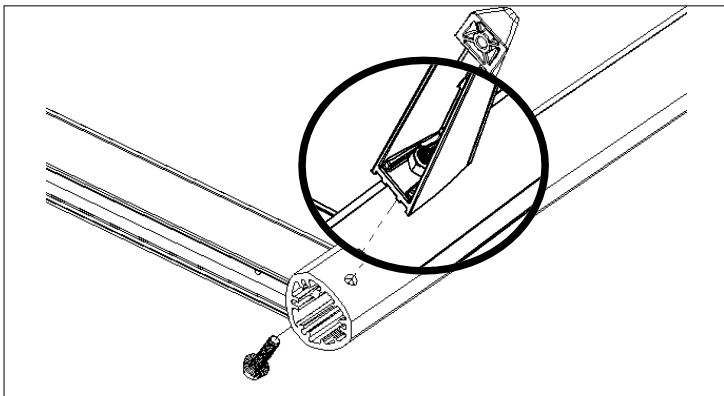


FIGURE 4.2

2. Align the 5/16-18 Steel Nylon Insert Locknut in the Foot Casting and assemble using the 5/16-18 x 1 1/4" Serrated Flange Bolt

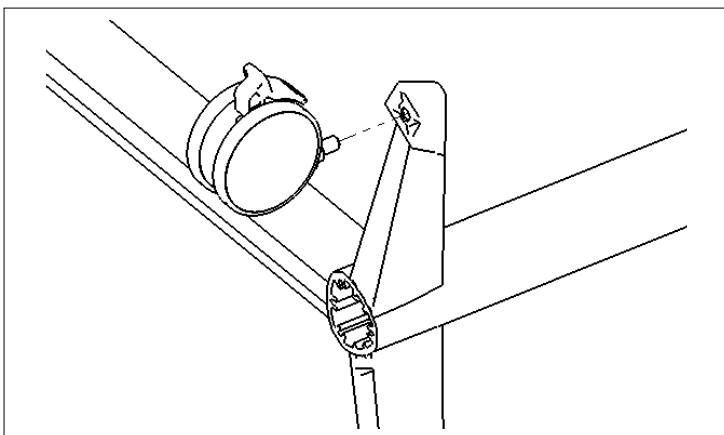
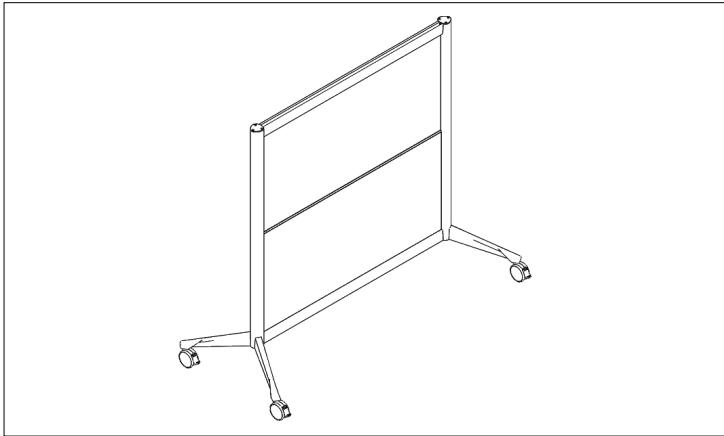


FIGURE 4.3

3. Thread in the 80mm Twin Wheel Locking Caster into the Foot Castings

4) ASSEMBLY: MOBILE SCREEN CONT.



4. Place in upright position
Assembly complete

FIGURE 4.4

ENWORK

1.800.815.7251

www.enwork.com

12900 Christopher Dr. Lowell, MI 49331

Specifications subject to change without notice.

Rev 11.2020