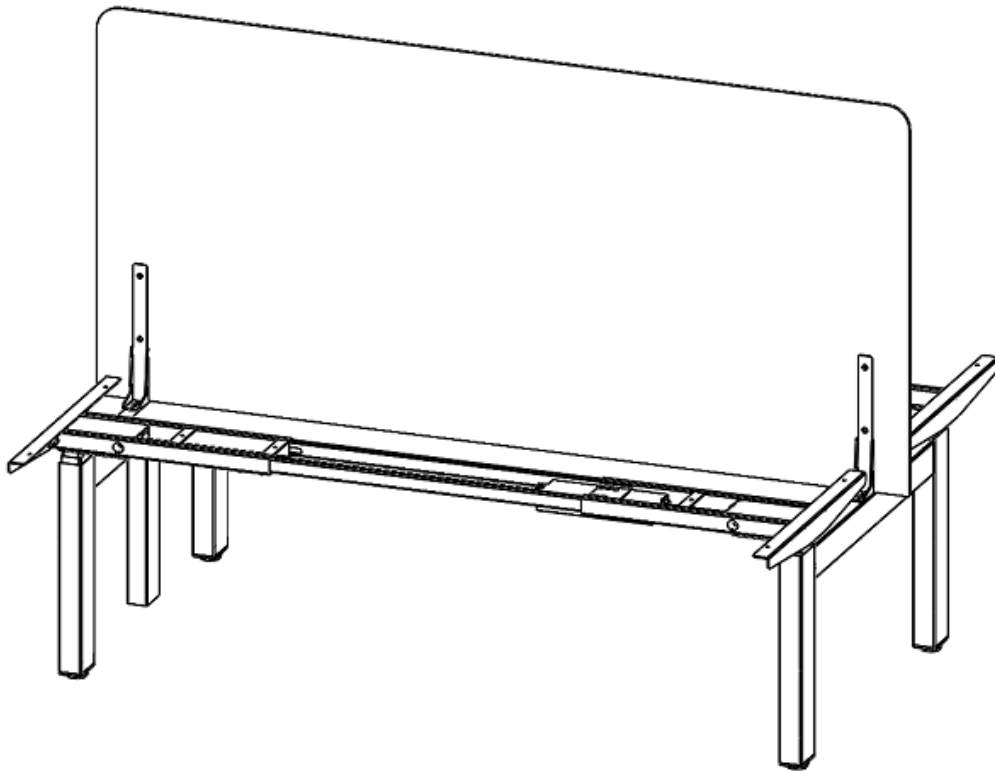


ENWORK

# XTB4 TOPPER SCREEN INSTALLATION GUIDE (53" H)

SCREENS



U N 0 0 0 3

XTB4 Topper Screen (53"H) Installation Guide – Rev A.  
For 53" Double or Single Sided, Acoustic or Acrylic.

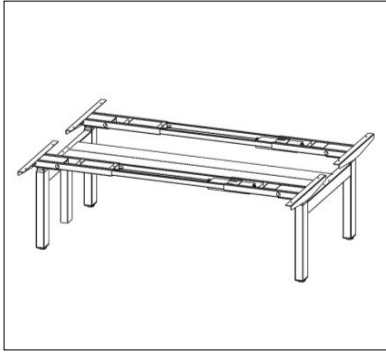
**WARNING:**

Acrylic screens scratch and scuff easily. After removing protective film, immediately and carefully install the screen.  
DO NOT remove protective film from acrylic screens, then stack them in a pile or against each other. Experience shows this will cause marring and scratching.

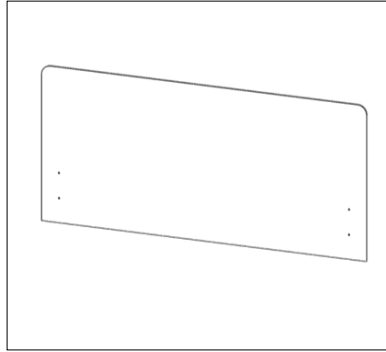
# ENWORK

## INSTALLATION GUIDE

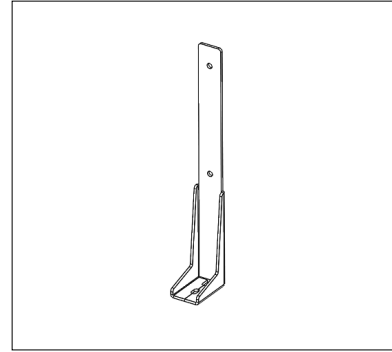
### 1) PARTS AND FASTENERS INCLUDED



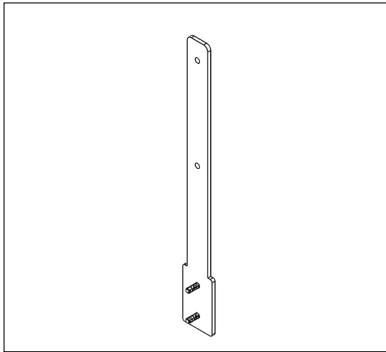
XTB4 Bench  
(Single or Double Sided)



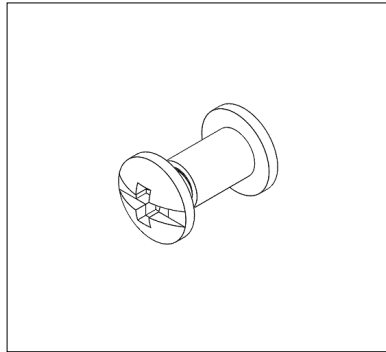
Screen



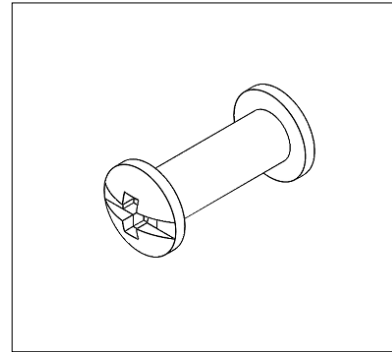
Gusseted Bracket (2x or 4x)



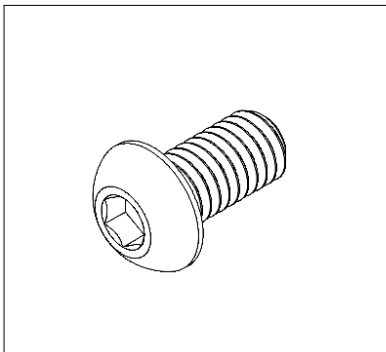
Rear Bracket (2x)



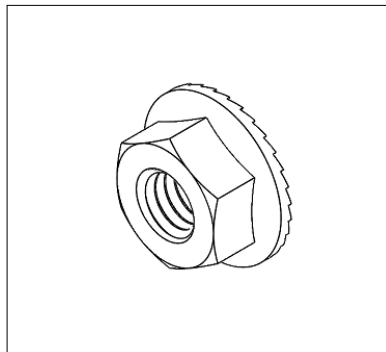
10-24 x 3/8 1/2 Binding Bolt  
Phillips/Truss Head (4x)



10-24 x 3/4 7/8 Binding Bolt  
Phillips/Truss Head (4x)



M6 x 1 x 12mm Button Head  
Hex Drive Screw (2x or 4x)

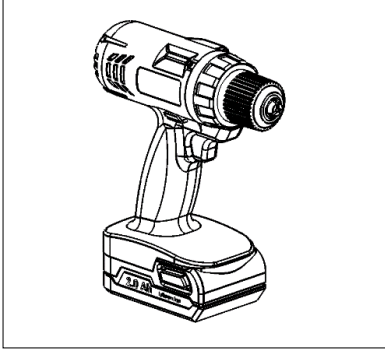


M6 x 1mm Flange Locknut (4x)

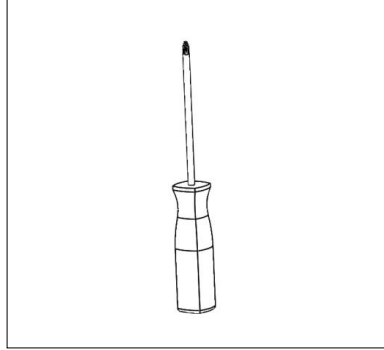
# ENWORK

## INSTALLATION GUIDE

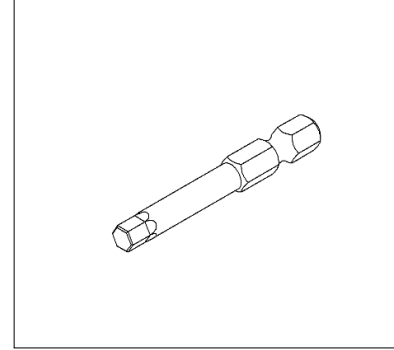
### 2) TOOLS AND SUPPLIES REQUIRED



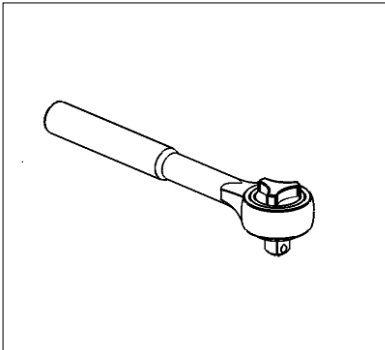
Drill/ Screwdriver



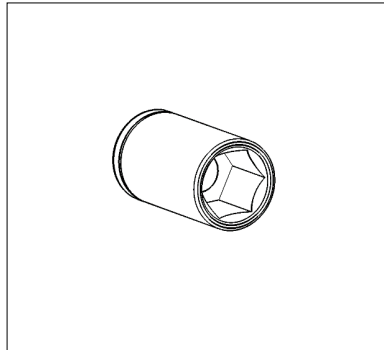
Screw Driver (2x)



4mm Hex Bit



Socket Wrench

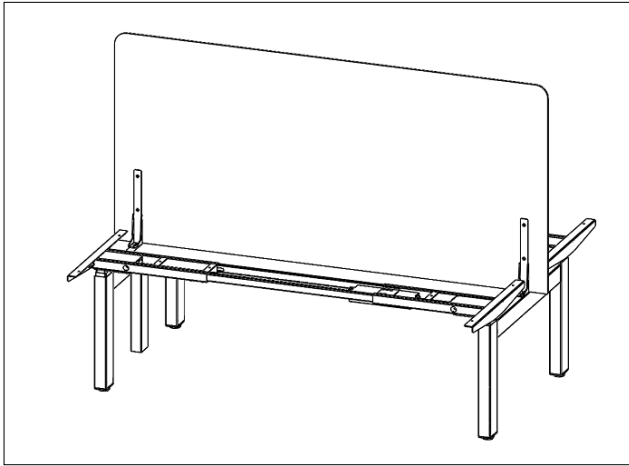


10mm Socket

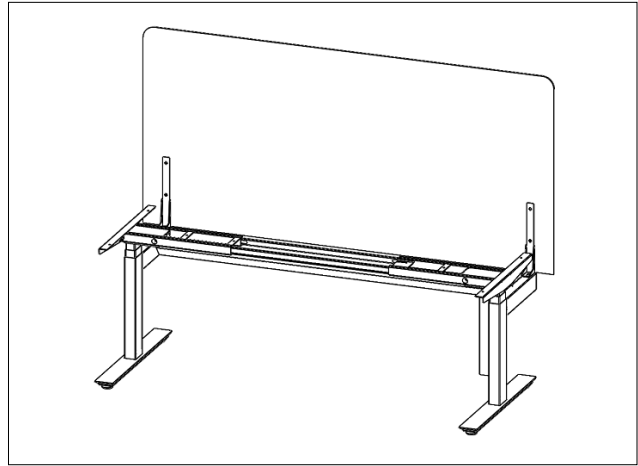
# ENWORK

## INSTALLATION GUIDE

### 3) ASSEMBLY OVERVIEW



ACRYLIC OR ACOUSTIC DOUBLE  
SIDED (PAGES 5-6)



ACRYLIC OR ACOUSTIC SINGLE  
SIDED (PAGES 7-8)

# ENWORK

## INSTALLATION GUIDE

### 3) ASSEMBLY: ACRYLIC OR ACOUSTIC DOUBLE SIDED SCREEN

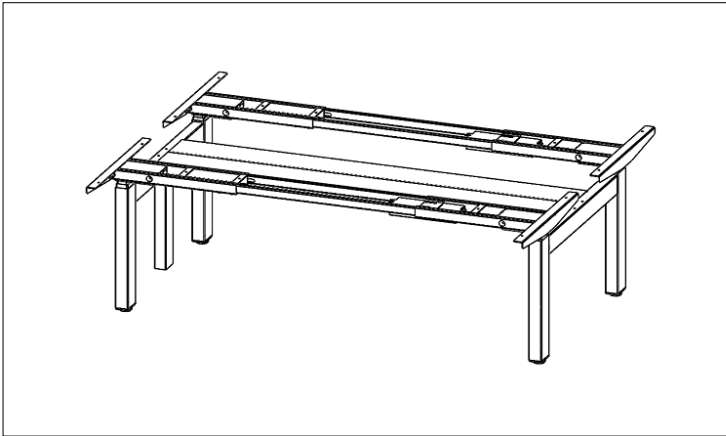


FIGURE 1

1. Complete the necessary steps noted in the installation instructions UN0001 before proceeding.

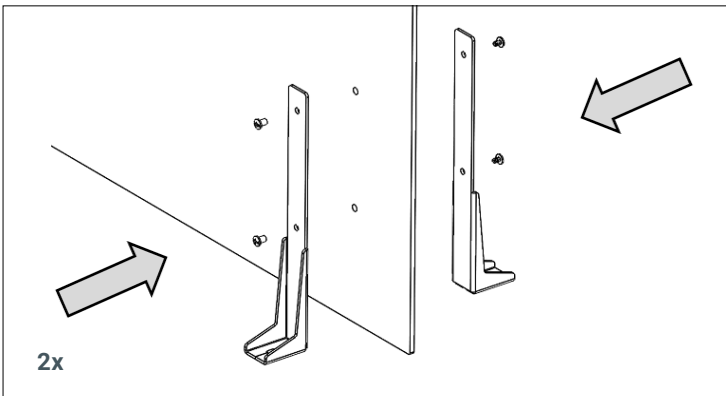


FIGURE 2

2. Attach two of the Gusseted Brackets on each side of the Screen using the provided 10 24 x 3/8-1/2 Binding Bolts.

**Note: The Acoustic Screen will use the 10 24 x 3/4 7/8 Binding Bolts.**

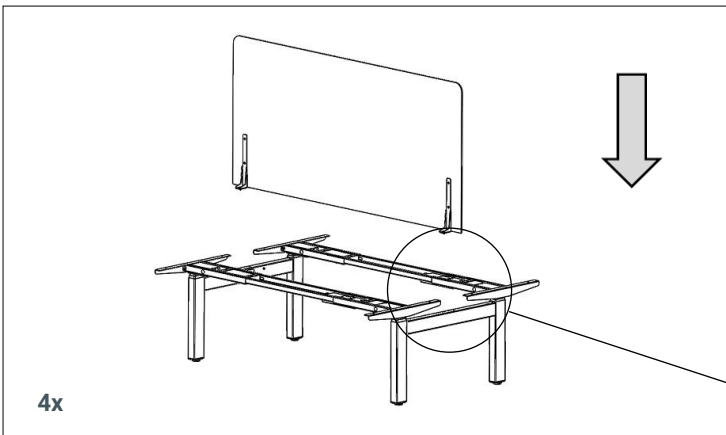
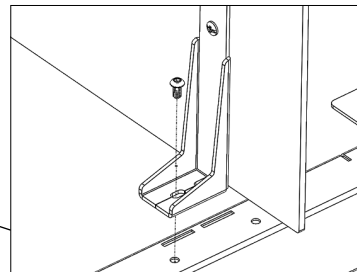


FIGURE 3

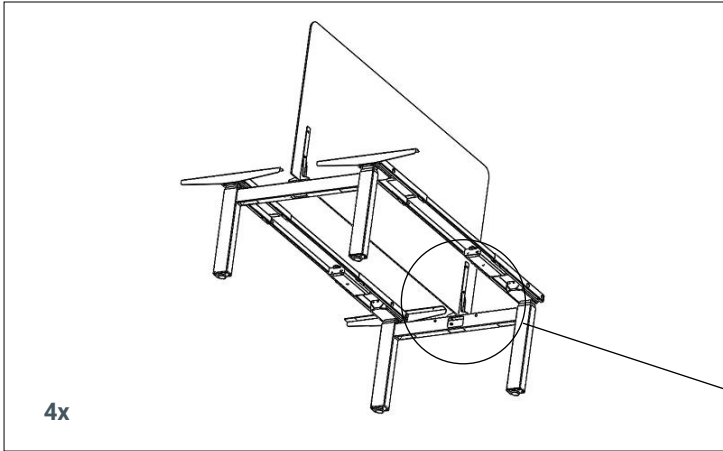
3. Locate the Screen assembly over the End Link Tube holes using the M6 x 1 x 12mm Button Head Hex Drive Screws.



# ENWORK

## INSTALLATION GUIDE

### 3) ASSEMBLY: CONT.



4. Secure the Screen Assembly by tightening the provided M6 x 1mm Flange Locknuts.

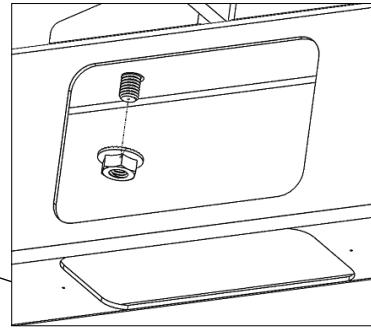
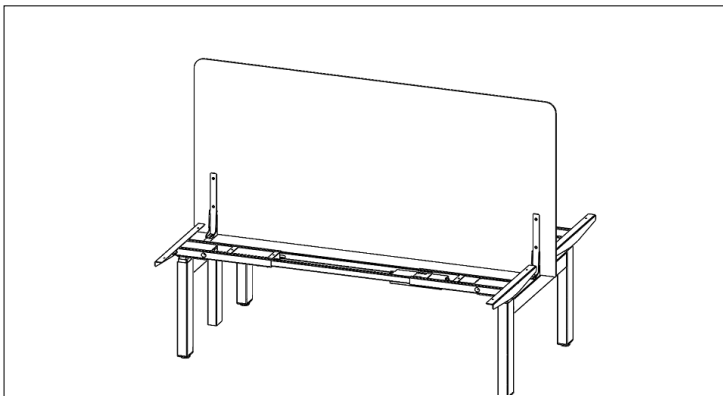


FIGURE 4



Enjoy!

FIGURE 5

# ENWORK

## INSTALLATION GUIDE

### 3) ASSEMBLY: ACRYLIC OR ACOUSTIC SINGLE-SIDED SCREEN

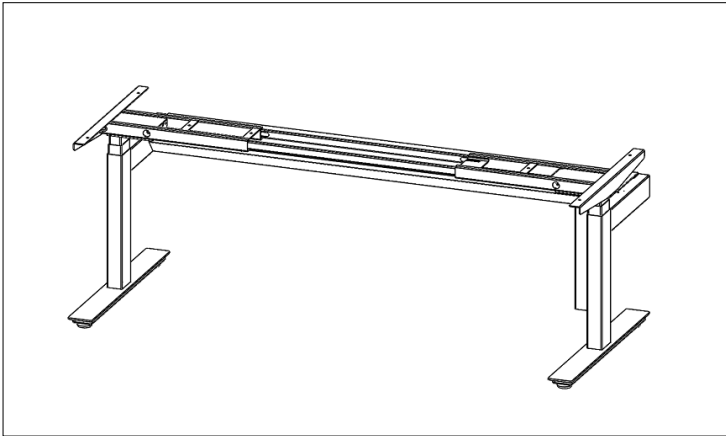


FIGURE 1

1. Complete the necessary steps noted in the installation instructions UN0001 before proceeding.

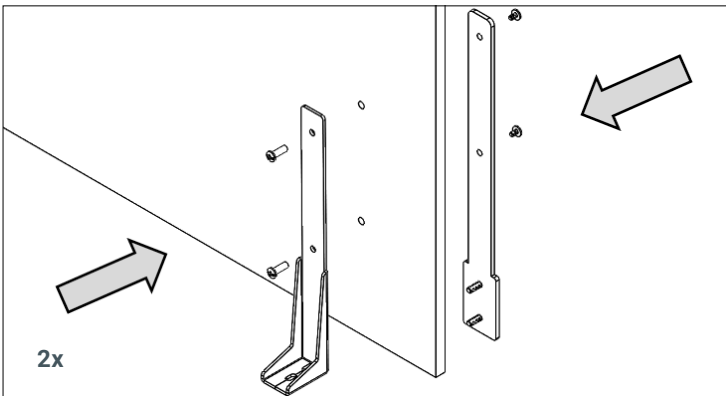


FIGURE 2

2. Attach a Gusseted Bracket on one side of the Screen and a Rear Bracket on the other side using the provided 10 24 x  $\frac{3}{4}$  7/8 Binding Bolts.

**Note: The Acrylic Screen will use the 10 24 x  $\frac{3}{8}$ -1/2 Binding Bolts.**

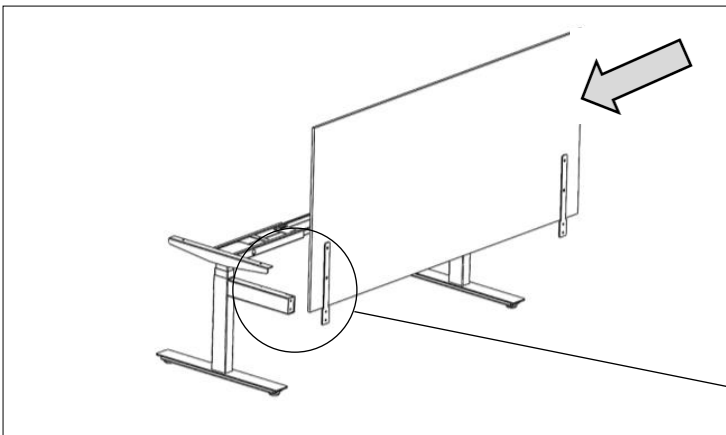
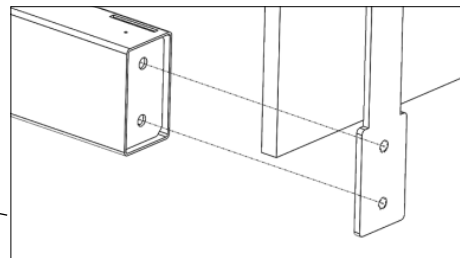


FIGURE 3

3. Locate the Screen assembly into the End Link Tube holes.



# ENWORK

## INSTALLATION GUIDE

### 3) ASSEMBLY: CONT.

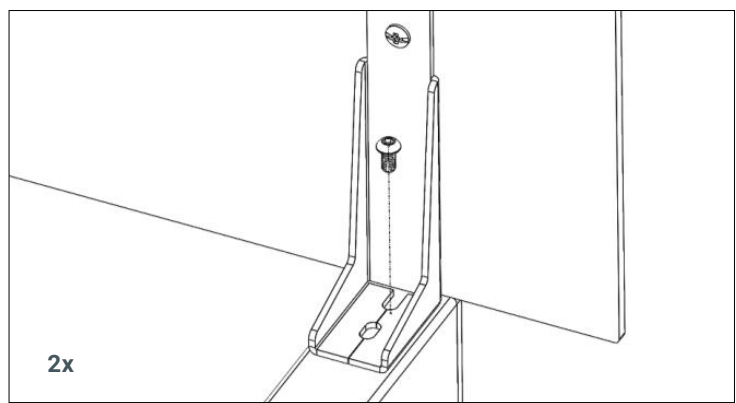


FIGURE 4

4. Secure the Gusseted Bracket using the provided M6 x 1 x 12mm Button Head Hex Drive Screw.

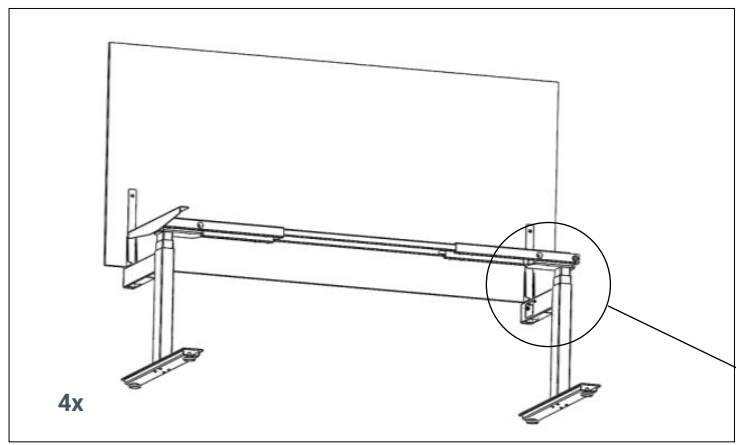


FIGURE 5

5. Secure the Screen Assembly by tightening the provided M6 x 1mm Flange Locknuts.

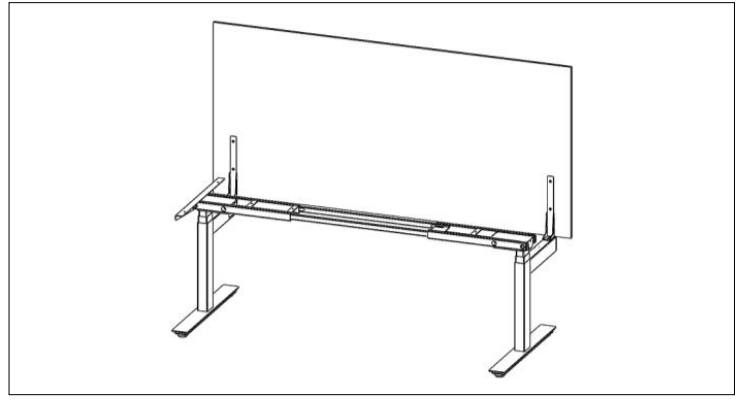
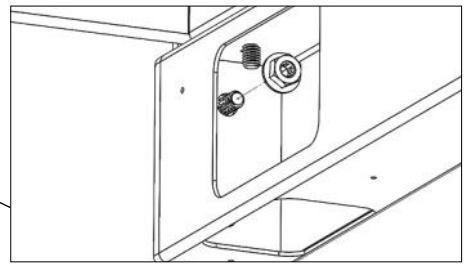


FIGURE 6

Enjoy!



ENWORK

1.800.815.7251

[www.enwork.com](http://www.enwork.com)

12900 Christopher Dr. Lowell, MI 49331

Specifications subject to change without notice.

Rev 07.2020