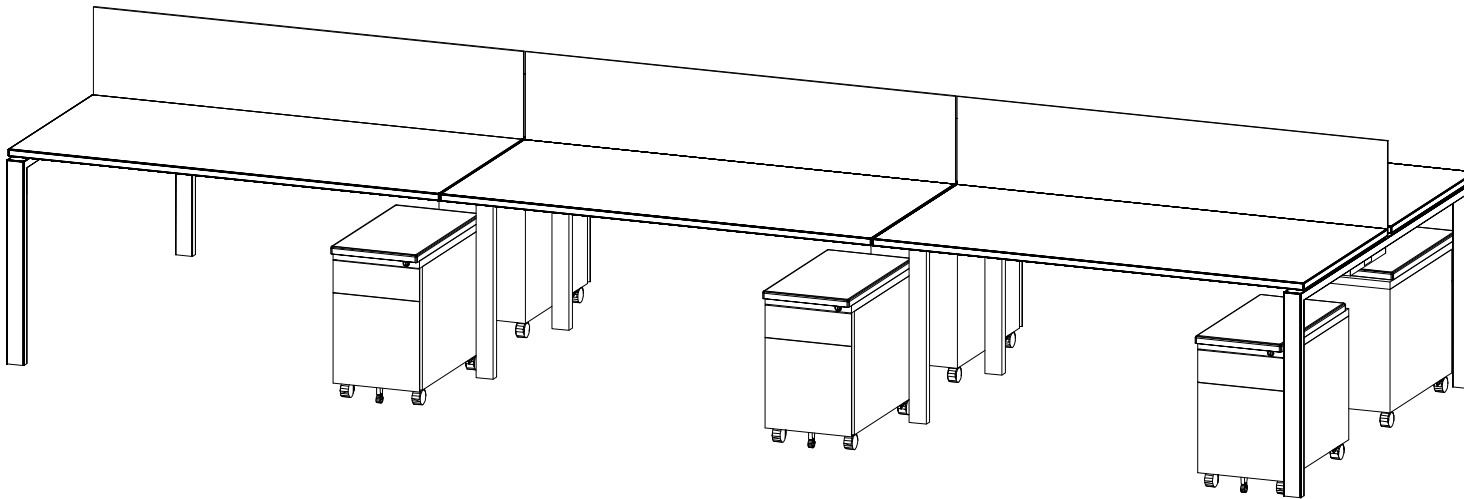


PLAN VIEW
 Scale: 1/4" = 1'-0"



ISOMETRIC VIEW
 Scale: Not to Scale

- NOTES:**
- DRAWING IS A VISUAL REPRESENTATION ILLUSTRATING DESIGN INTENT. DETAILS MAY VARY.
 - NO MORE THAN 4 STATIONS PER CIRCUIT