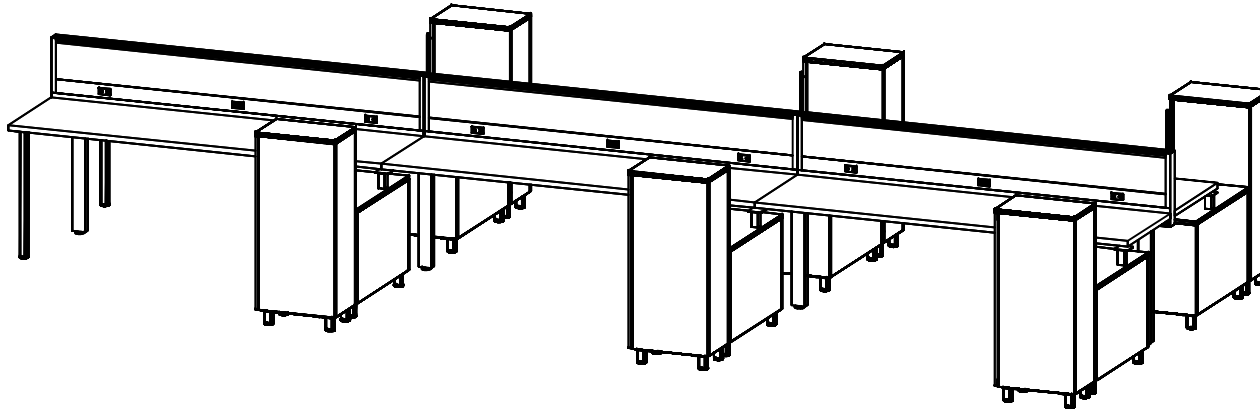


**PLAN VIEW**  
 Scale: 1/4" = 1'-0"



**ISOMETRIC VIEW**  
 Scale: Not to Scale

- NOTES:
- DRAWING IS A VISUAL REPRESENTATION ILLUSTRATING DESIGN INTENT. DETAILS MAY VARY.
  - NO MORE THAN 4 STATIONS PER CIRCUIT