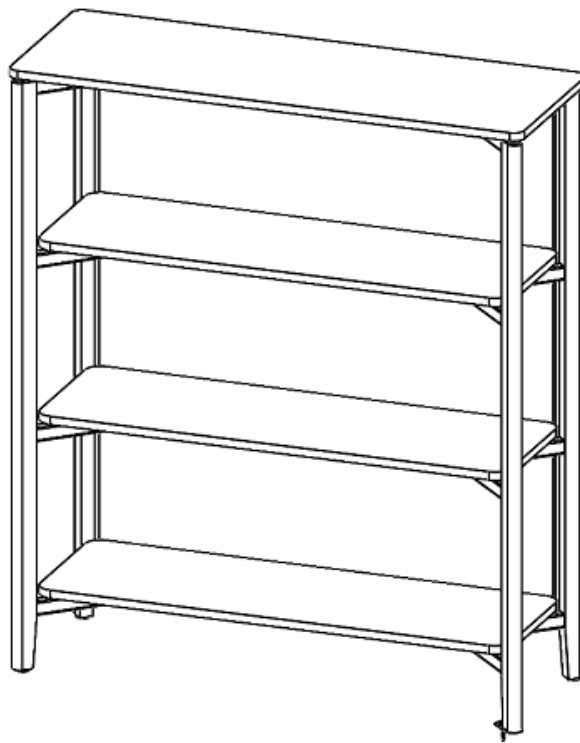


Ligouri

Shelving Unit Accessories



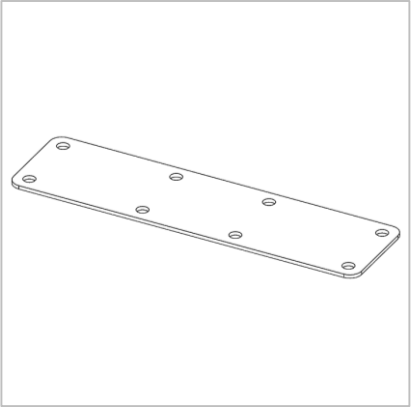
Installation Instructions

T10066

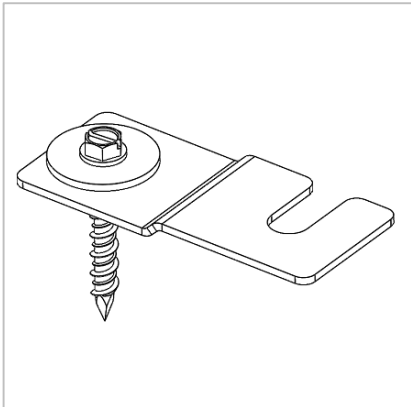
1) Parts and Fasteners Included



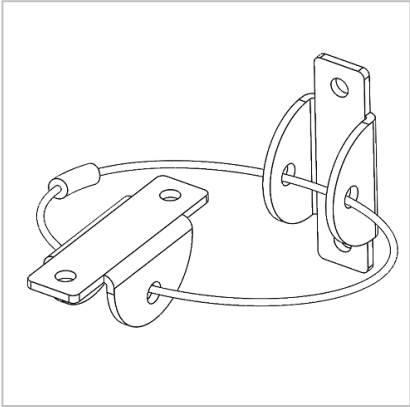
Shelving Unit



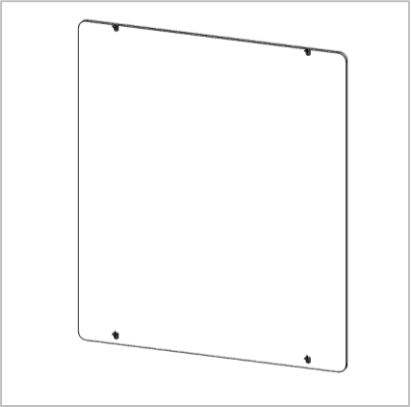
Ganging Plate (Option)
USPT



Floor Mount Kit (Option)
FMKIT

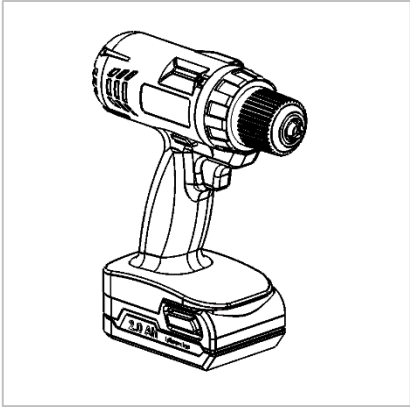


Wall Mount Kit (Option)
LNBKWW

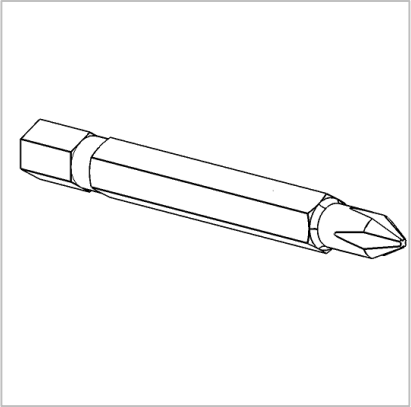


Acoustic Back (Option)
LNBAX

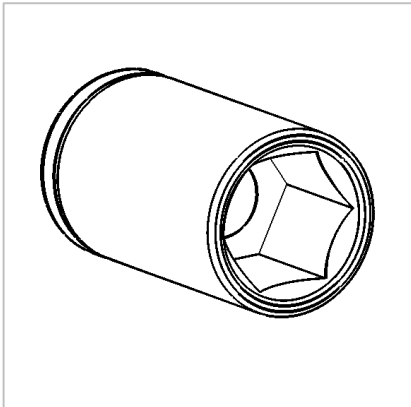
2) Tools and Supplies Required



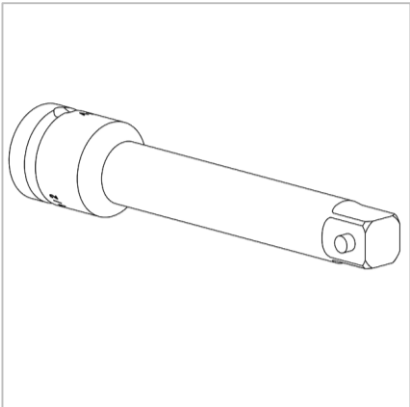
Drill & Hammer Drill



#2 Phillips Drive Bit
(magnetic tip preferred)



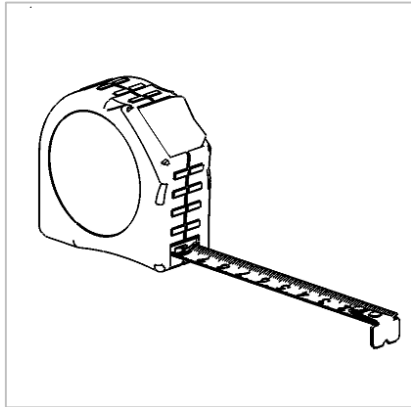
5/16" Socket



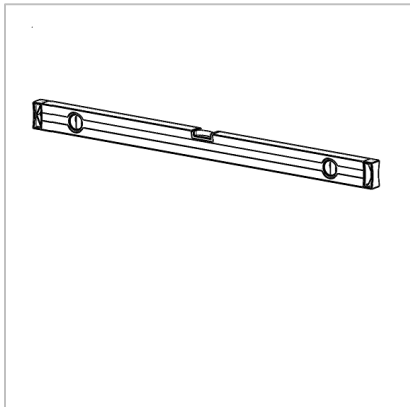
Socket Extension



3/16" Hammer Drill Bit



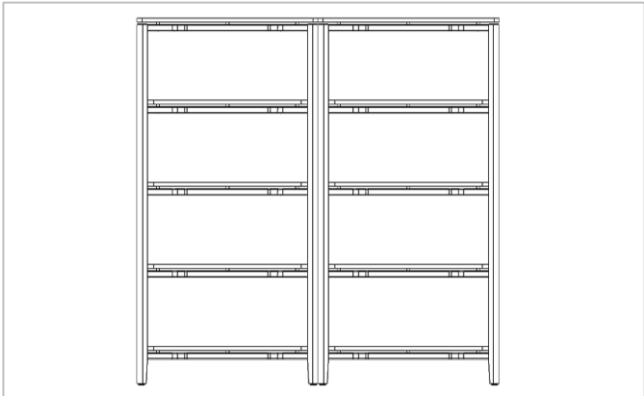
Tape Measure



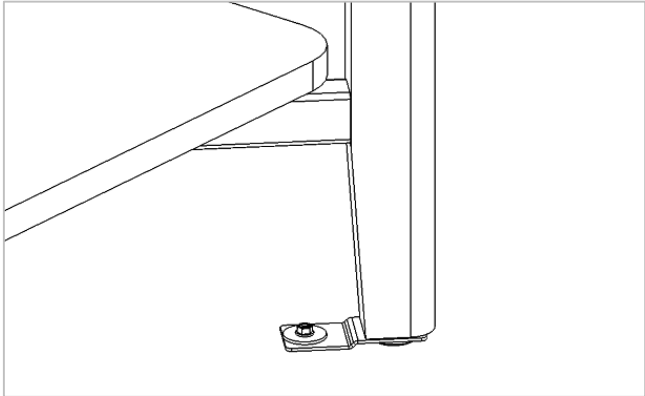
Level

Marker

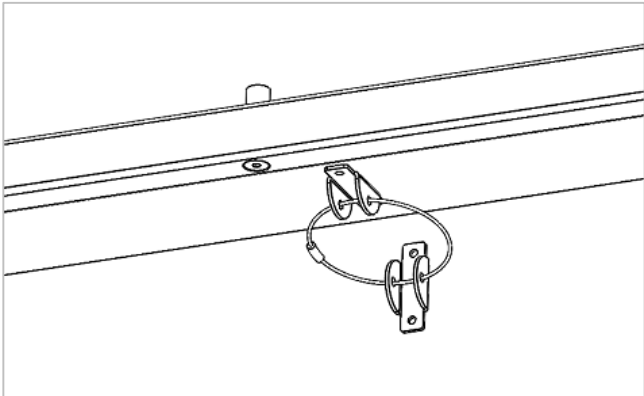
3) Assembly: Overview



Ganging (Page 4)



Floor Mounting (Page 5)



Wall Mounting (Page 6)



Acoustic Back (Page 7)

4) Assembly: Ganging

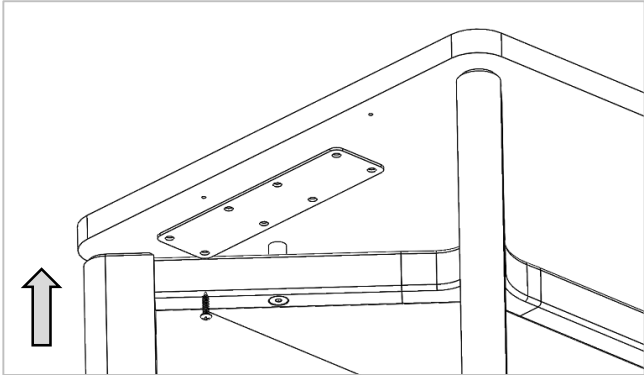


Figure 4.1

1. Attach the USPT plate with the screws provided, locating half the plate over the pilot holes on the top shelf.

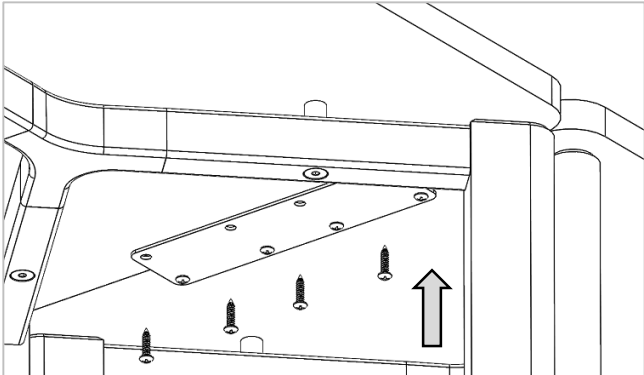


Figure 4.2

2. Line up the other Shelving Unit to the mounted USPT plate, lining up the pilot holes. Attach using the screws provided.

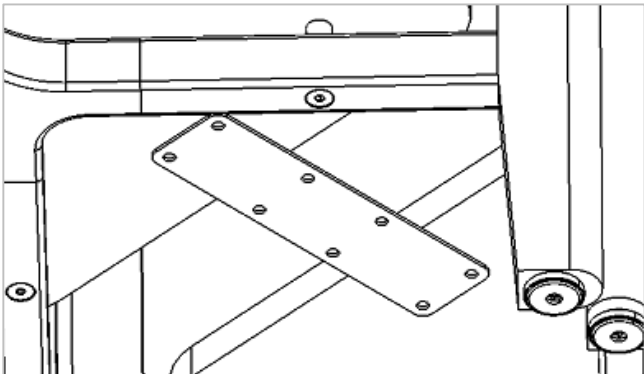


Figure 4.3

3. Re-orient the USPT plate 90degrees relative to the top plate and secure to either one of the bottom two shelves.

Note: This step is optional.

5) Assembly: Floor Mounting

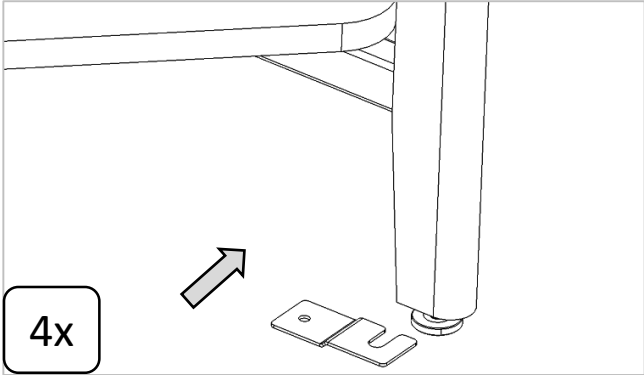


Figure 5.1

1. With the Shelving Unit in the desired location, lower the leveler enough to slide the FMKIT bracket over the stem of the glide.

Note: Orient the bracket in any position.

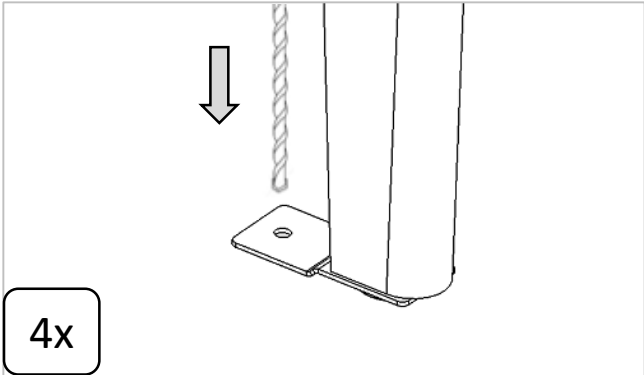


Figure 5.2

2. Mark the mounting hole location on the floor using a marker, and then remove the bracket. Drill thru the marked hole in the floor using a 3/16" hammer drill bit approximately 2" deep.

Note: remove any debris from the hole.

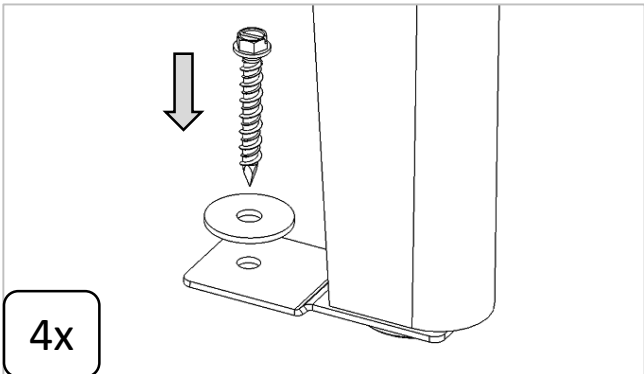


Figure 5.3

3. Relocate the FMKIT bracket and secure to the floor with the screw and washer provided.

6) Assembly: Wall Mounting

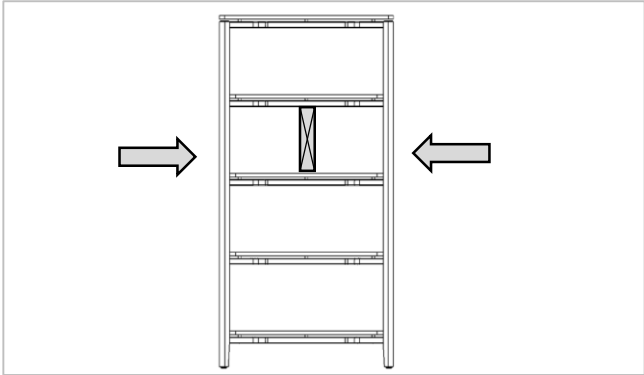


Figure 6.1

1. With the Shelving Unit in the desired location, locate the centermost stud.

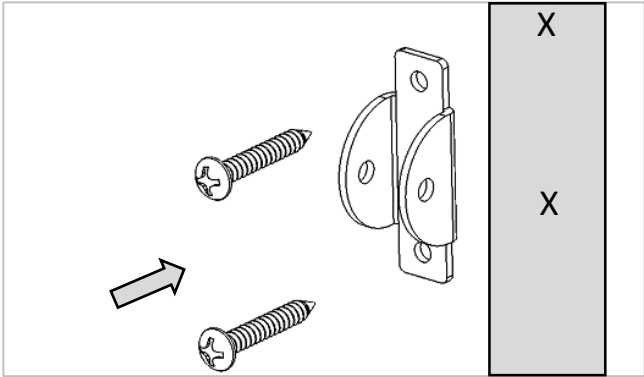


Figure 6.2

2. Line up the Wall Mount Kit bracket to the underside of either one of the upper three shelves, marking the holes of the bracket over the stud from Figure 6.1. Secure one of the brackets to the marked location using the longer screws provided.

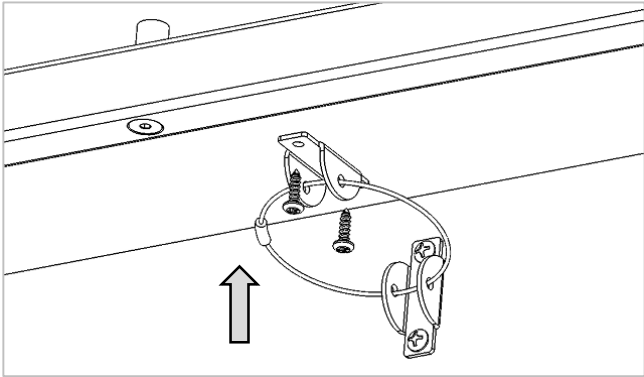


Figure 6.3

3. With both Wall Mount Kit brackets attached via the provided cable, secure the second bracket to the underside of the shelf using the shorter screws provided.

Note: We recommend mounting the bracket as far away from the wall as the cable will allow, keeping the slack of the cable to a minimum.

7) Assembly: Acoustic Back

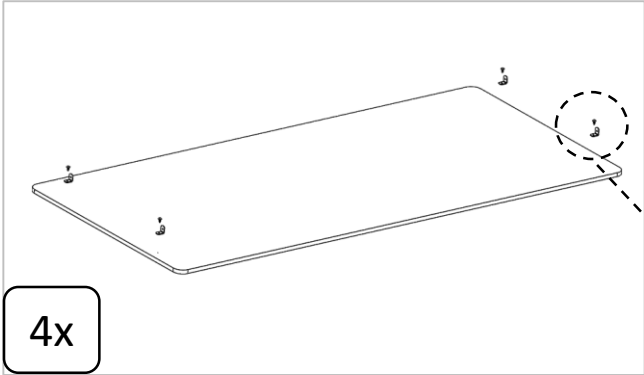


Figure 7.1

1. Locate the pilot holes in the top and bottom of the Acoustic panel and secure the L-Brackets with the #12 x 1/2" Pan Head Phillips Screws.

Note: DO NOT OVERTIGHTEN SCREWS. Set drill to slowest speed and torque setting.

Note: Orientation of brackets in Figure 7.1

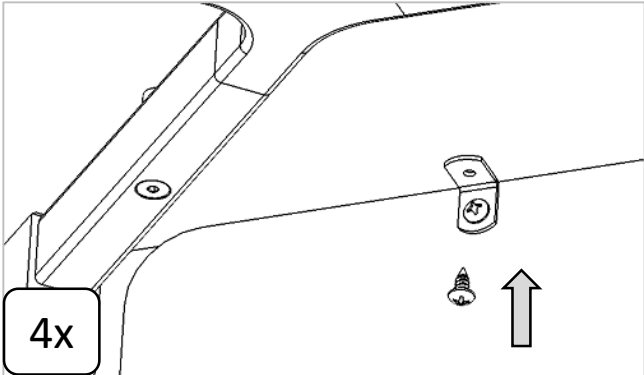
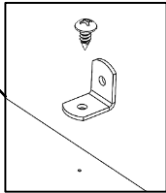


Figure 7.2

2. Center the Acoustic panel to the back of the Shelving Unit, and secure the L-Brackets with the #8 X 3/4" Pan Head Phillips screws provided.

Note: The top of the Acoustic panel should touch the bottom of the top shelf.

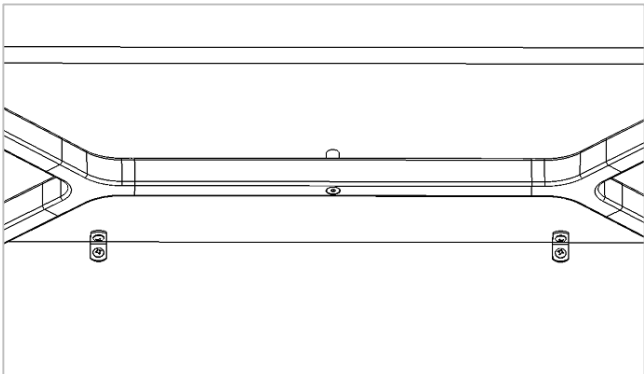


Figure 7.3

3. For added rigidity to the Acoustic panel, attach an additional two L-Brackets to the middle shelf.

Note: This step is optional.

Note: There are no additional pilot holes in the Acoustic panel for these brackets.

ENWORK

12900 Christopher Drive Lowell, MI 49331
800.815.7251 www.enwork.com

Specifications subject to change without notice.