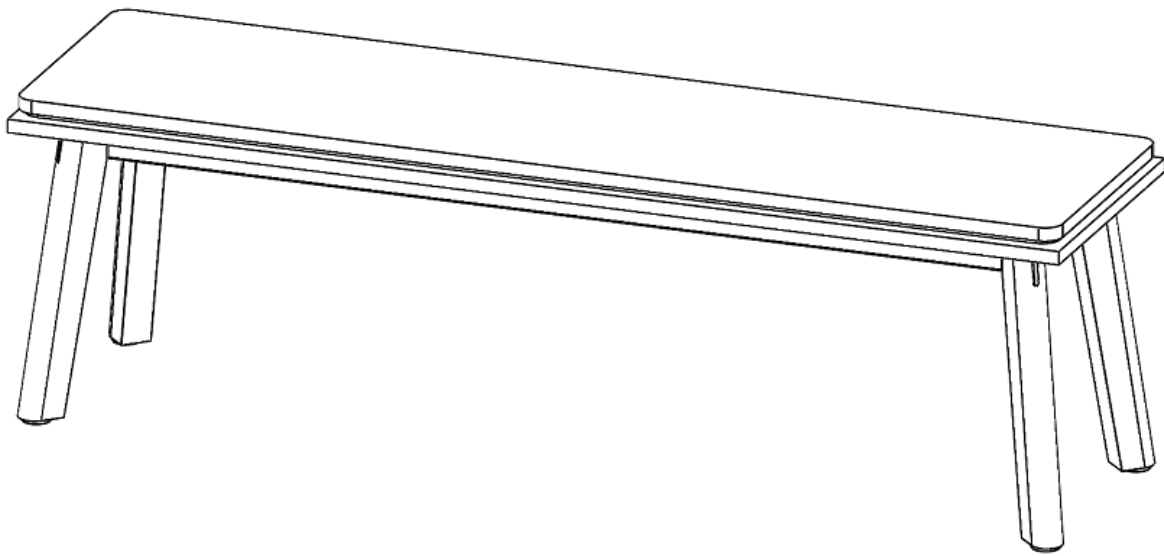


ENWORK

# Ligouri

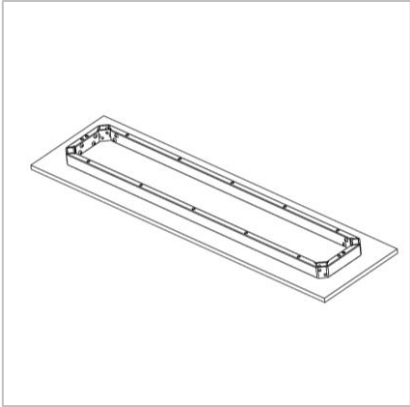
Bench



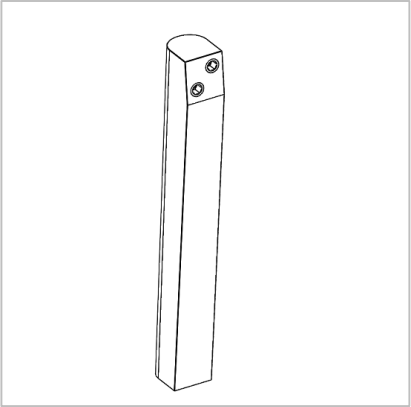
Installation Instructions

TI0062

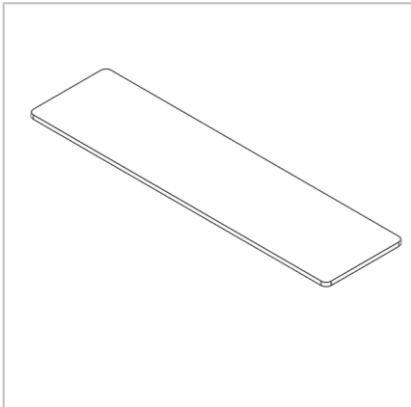
# 1) Parts and Fasteners Included



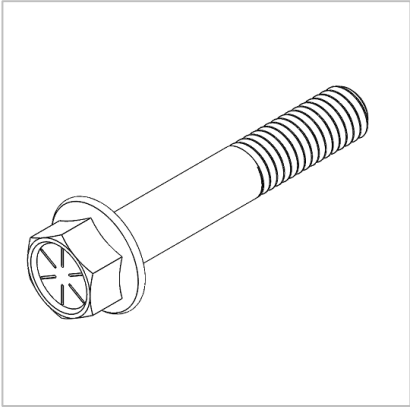
Bench Frame with Top (1x)



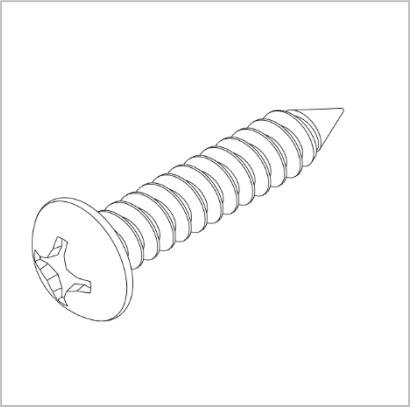
Leg (4x)  
LNL-1002-DB



Cushion (option)  
LNS-1006-x

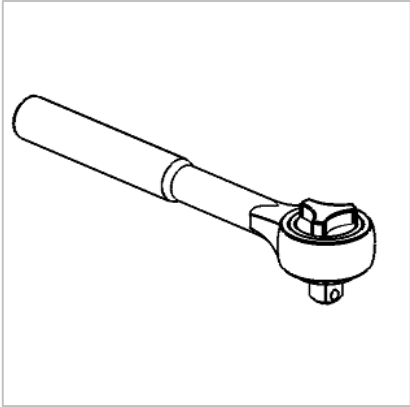


3/8-16 x 2.25 Flanged Hex  
Head Bolt (8x)

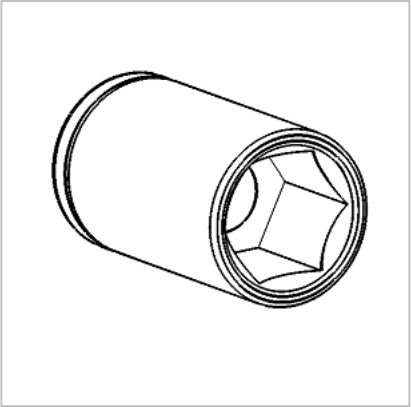


#8 x 0.75 Pan Head Phillips  
Wood Screw

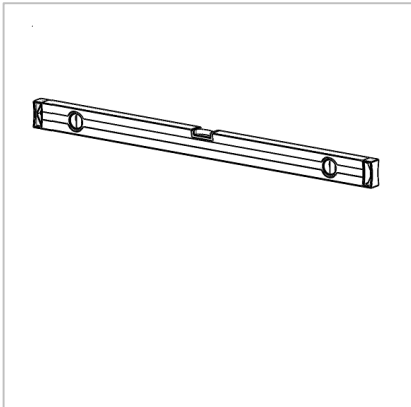
## 2) Tools and Supplies Required



Socket Wrench



9/16" Socket



Level

### 3) Assembly: Bench

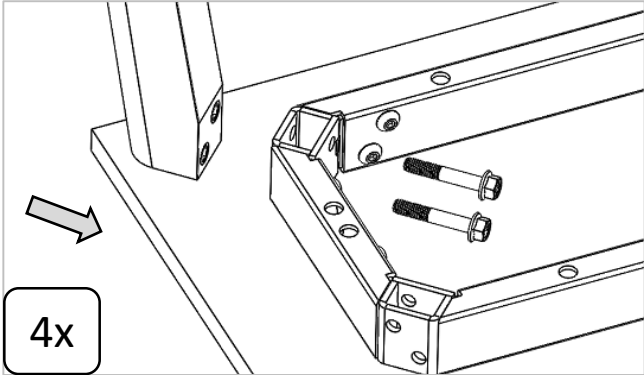


Figure 3.1

1. Attach the Leg to the Frame Corner Bracket using the 3/8-16 x 2.25 Flanged Hex Head Bolts.

*Note: Fully tighten bolts until snug.*

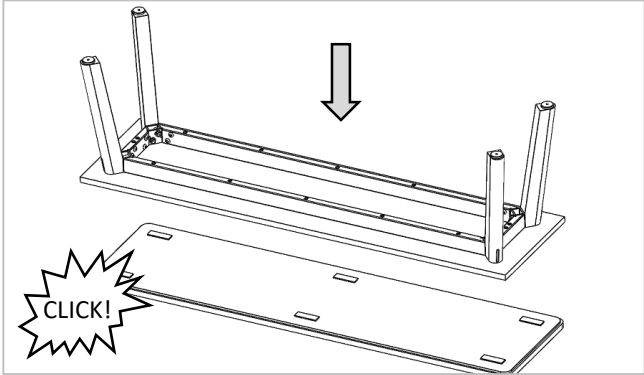


Figure 3.2

2. For the Cushion option, remove the film on the 6 Dual-Lock pieces and center the cushion onto the Bench Top. Press firmly until you hear a click.

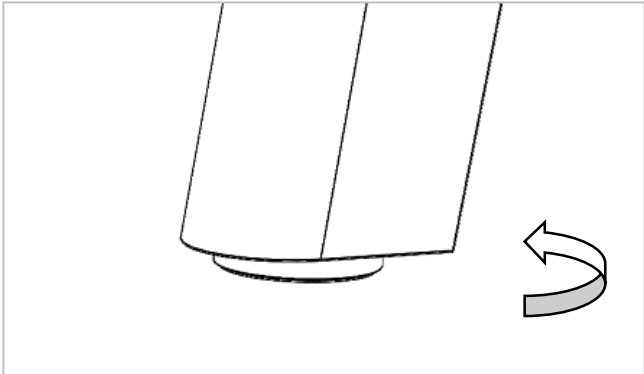


Figure 3.3

3. With the Bench flipped in the upright position, level the Bench using the glides in the bottom of each leg.

# ENWORK

12900 Christopher Drive Lowell, MI 49331  
800.815.7251 [www.enwork.com](http://www.enwork.com)

Specifications subject to change without notice.