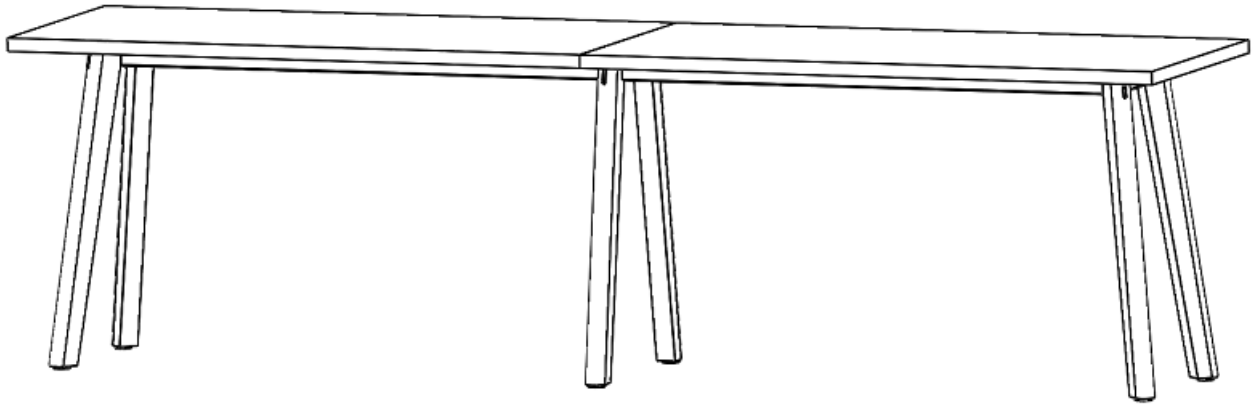


ENWORK

Ligouri

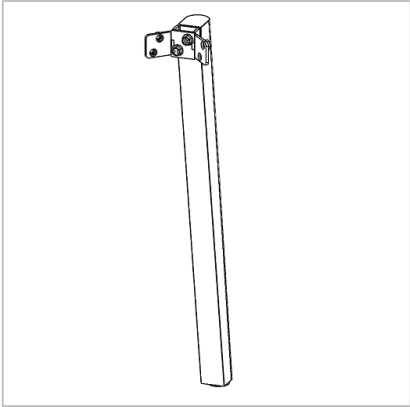
Touchdown Table



Installation Instructions

TI0061

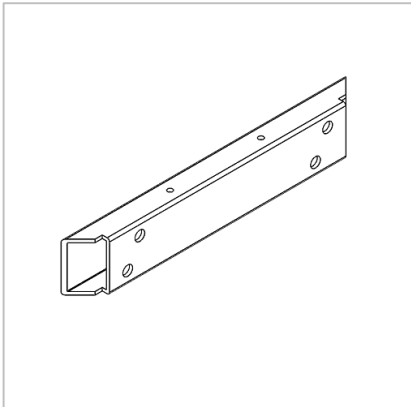
1) Parts and Fasteners Included



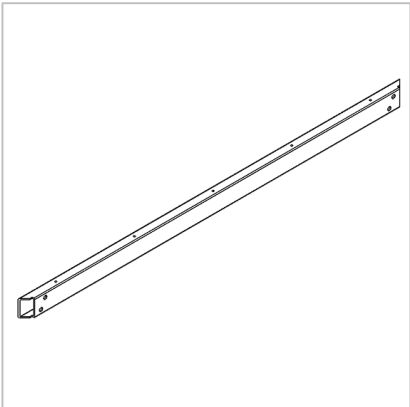
Corner Leg Assembly (4x)



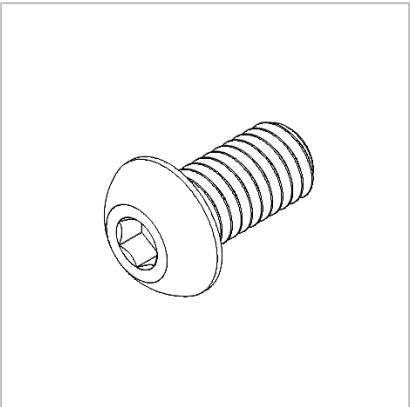
Mid-Leg Assembly (0x, 2x, or 4x)



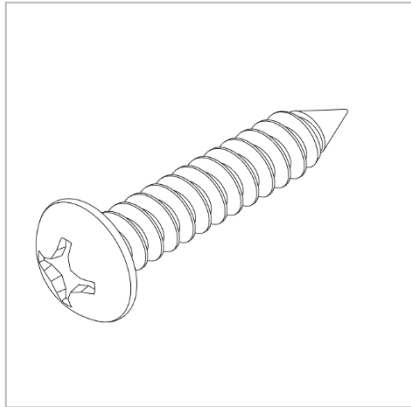
Tube for Depth (2x)
LNA-2003-x



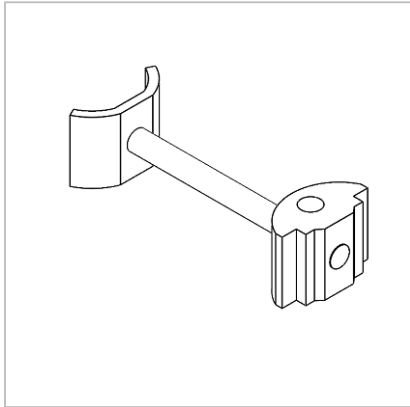
Tube for Width (2x, 4x, or 6x)
LNA-2003-x



3/8-16 x 0.75 Button Head
Socket Cap Screw (16x, 24x,
or 32x)

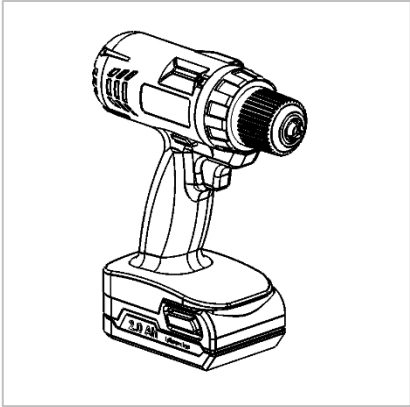


#8 x 0.75 Pan Head Phillips
Wood Screw

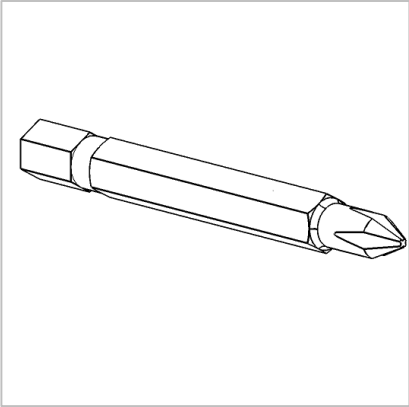


Zipbolt Tight Joint (4x)

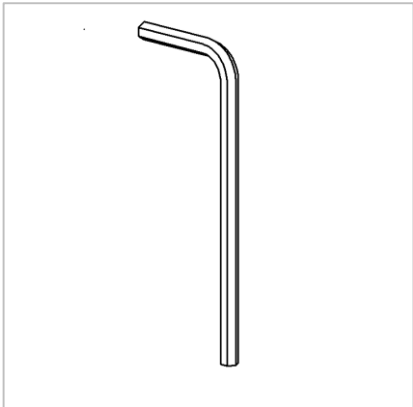
2) Tools and Supplies Required



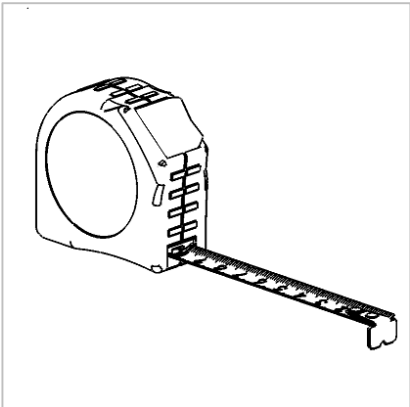
Drill



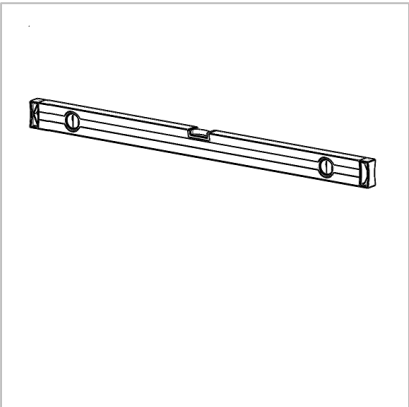
#2 Phillips Drive Bit
(magnetic tip preferred)



7/32" Hex Bit Socket or Allen
Key

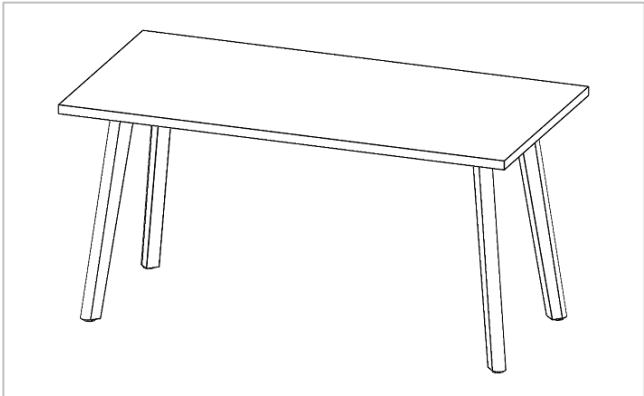


Tape Measure



Level

3) Assembly: Overview



One-Piece Table (Pages 4-5)



Multi-Piece Table (Pages 6-8)

4) Assembly: One-Piece Table

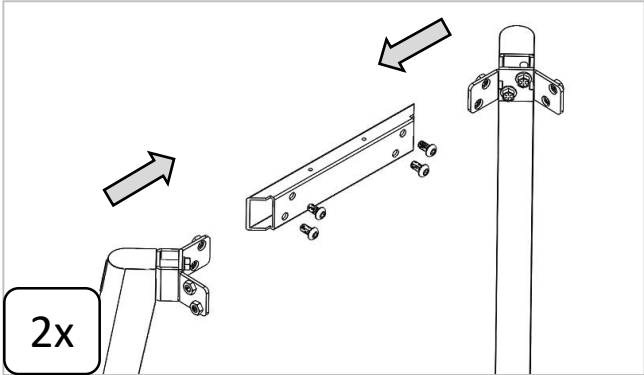


Figure 4.1

1. Attach the Corner Leg Assemblies to a Tube (depth) using the 3/8-16 x 0.75 Button Head Socket Cap Screws. Keep small holes in Tube facing upwards.

Note: Finger tighten for now.

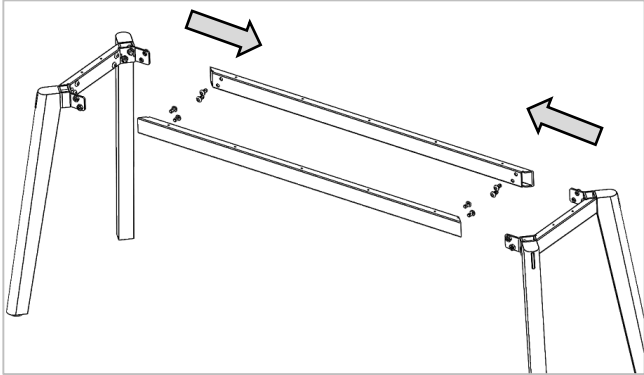


Figure 4.2

2. Attach the end assemblies from Figure 4.1 to the Tubes (width) using the 3/8-16 x 0.75 Button Head Socket Cap Screws. Keep small holes in Tube facing upwards.

Note: Finger tighten for now.

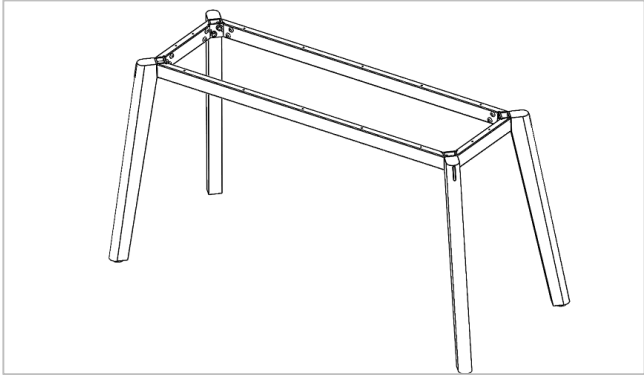


Figure 4.3

3. Fully tighten all the 3/8-16 x 0.75 Button Head Socket Cap Screws.

4) Assembly: One-Piece Table

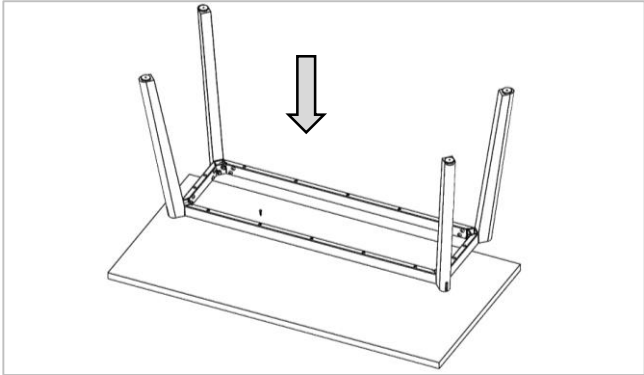


Figure 4.4

4. On a non-marring surface, center the assembled base on the Top and attach using the #8 x 0.75 Pan Head Phillips Wood Screws.

Note: Screws go through clearance holes in bottom of the Tube.

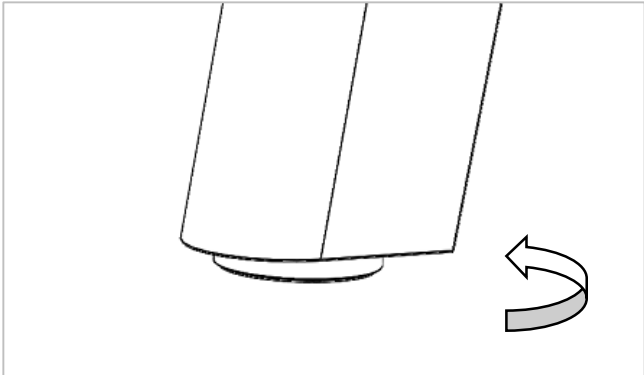
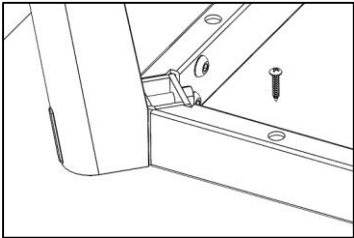


Figure 4.5

5. With the Table flipped in the upright position, level the Table using the glides in the bottom of each leg.

5) Assembly: Multi-Piece Table

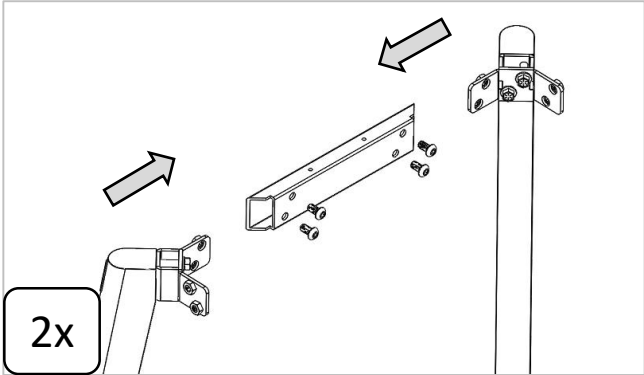


Figure 5.1

1. Attach the Corner Leg Assemblies to a Tube (depth) using the 3/8-16 x 0.75 Button Head Socket Cap Screws. Keep small holes in Tube facing upwards.

Note: Finger tighten for now.

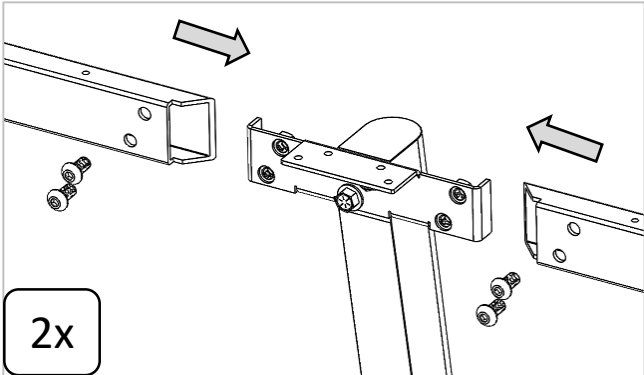


Figure 5.2

2. Attach Tubes (width) to the Mid Leg Assembly using the 3/8-16 x 0.75 Button Head Socket Cap Screws. Keep small holes in Tube facing upwards.

Note: Finger tighten for now.

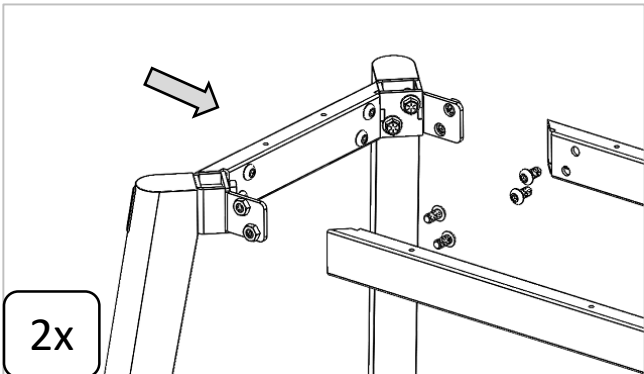


Figure 5.3

3. Attach the end assemblies from Figure 5.1 to the Tubes (width) using the 3/8-16 x 0.75 Button Head Socket Cap Screws.

Note: Finger tighten for now.

5) Assembly: Multi-Piece Table

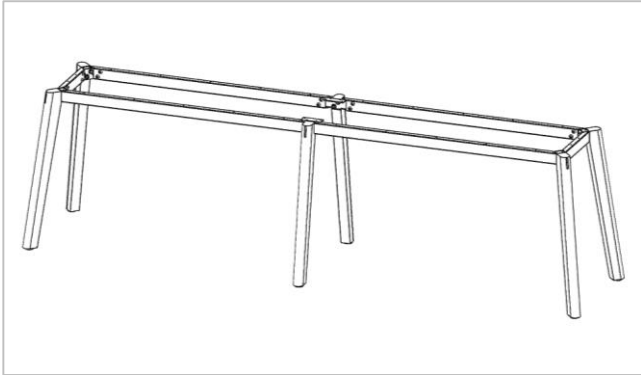


Figure 5.4

4. Fully tighten all the 3/8-16 x 0.75 Button Head Socket Cap Screws.

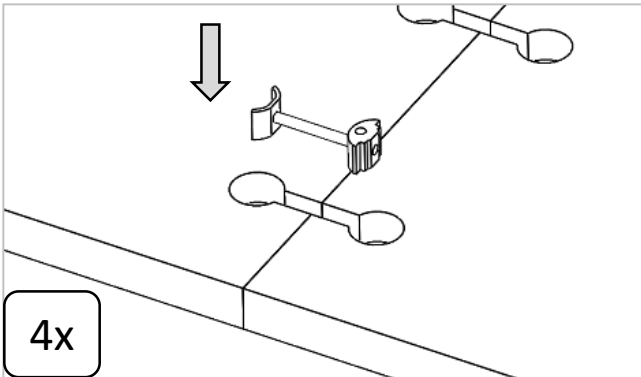


Figure 5.5

5. On a non-marring surface, connect your Top pieces together using the Zipbolt Tight Joint connector.

Note: Make sure pieces are flush and aligned before fully tightening the Zipbolt.

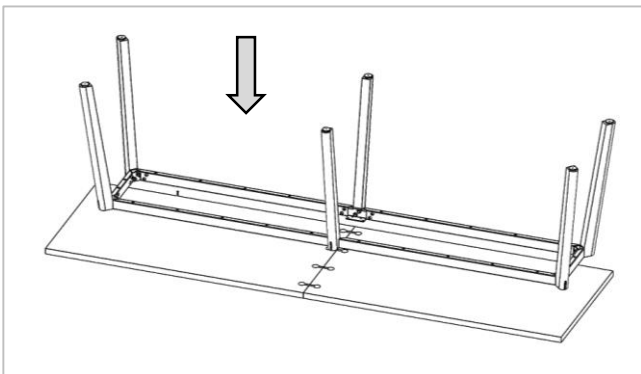
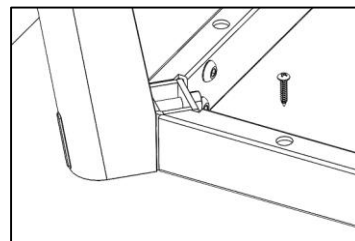


Figure 5.6

6. On a non-marring surface, center the assembled base on the Top and attach using the #8 x 0.75 Pan Head Phillips Wood Screws.

Note: Screws go through clearance holes in bottom of the Tube.



5) Assembly: Multi-Piece Table

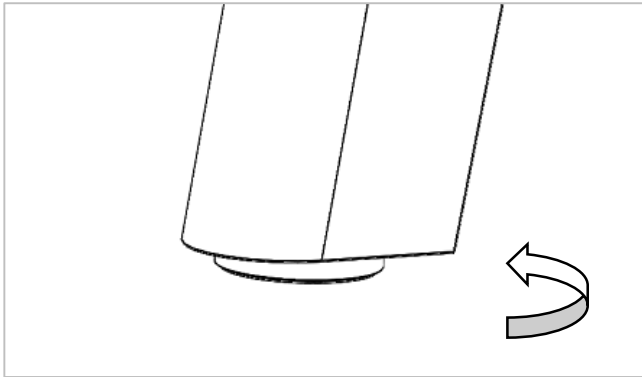


Figure 5.7

7. With the Table flipped in the upright position, level the Table using the glides in the bottom of each leg.

ENWORK

12900 Christopher Drive Lowell, MI 49331
800.815.7251 www.enwork.com

Specifications subject to change without notice.