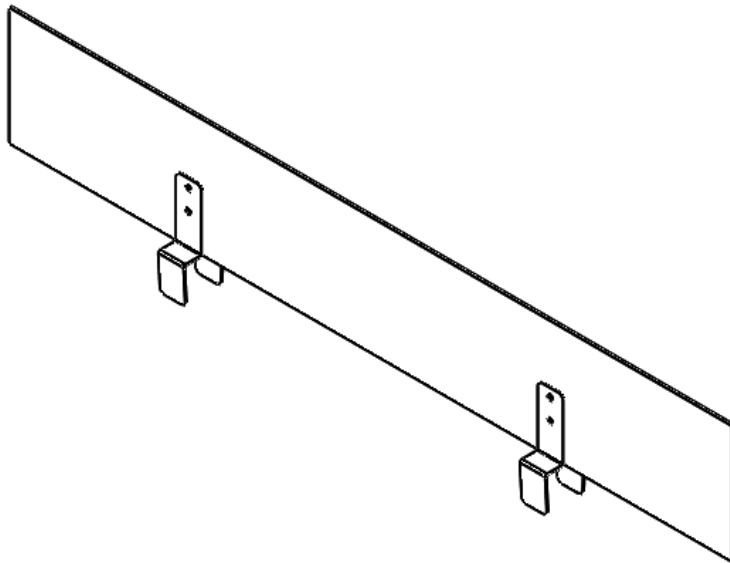


ENWORK

SKYLINE COMPRESSION TOPPER SCREEN INSTALLATION GUIDE

SCREENS



T I 0 0 5 7

Skyline Compression Bracket Panel Topper Installation Guide – Rev A.

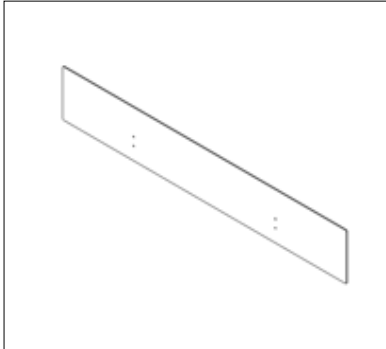
WARNING:

Acrylic screens scratch and scuff easily. After removing protective film, immediately and carefully install the screen. DO NOT remove protective film from acrylic screens, then stack them in a pile or against each other. Experience shows this will cause marring and scratching.

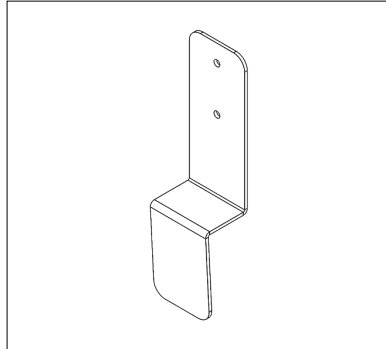
ENWORK

INSTALLATION GUIDE

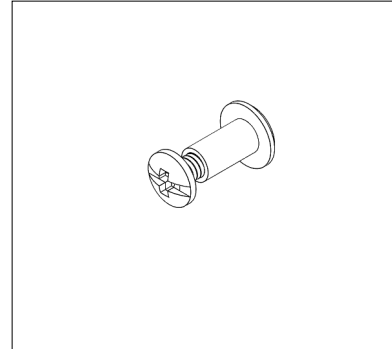
1) PARTS AND FASTENERS INCLUDED



Acrylic Screen
PNX-1060-xx

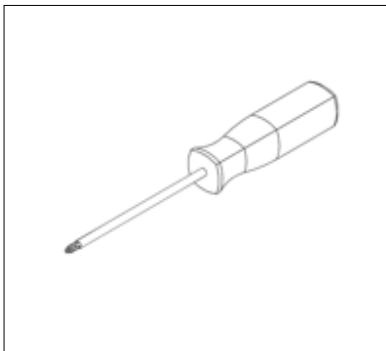


Panel Clamp Bracket
PNM-1990-xx



10-24 x .375-.50 Binding Bolt

2) TOOLS AND SUPPLIES REQUIRED

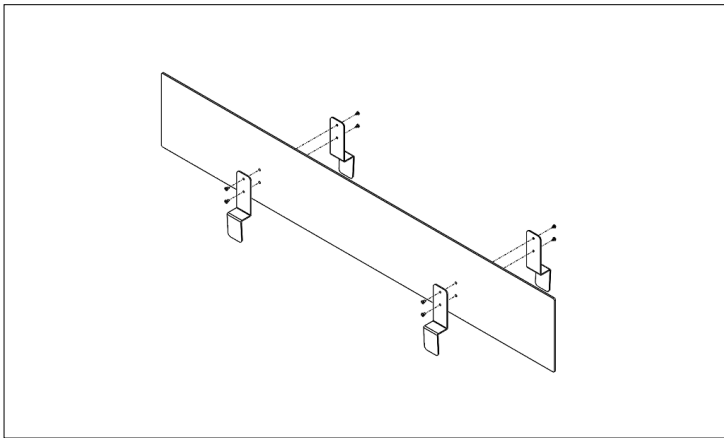


Phillips Screw Driver

ENWORK

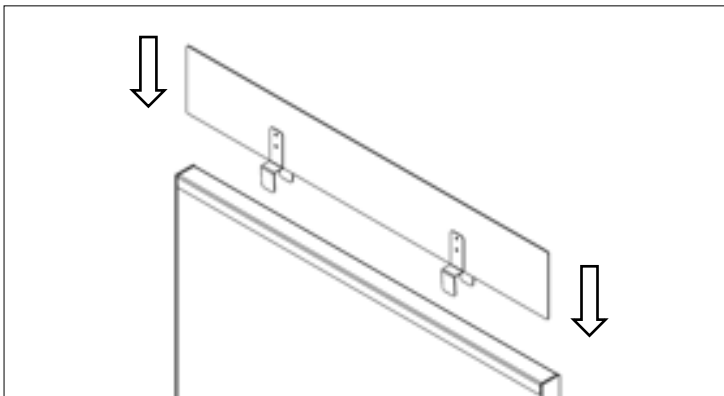
INSTALLATION GUIDE

3) ASSEMBLY :



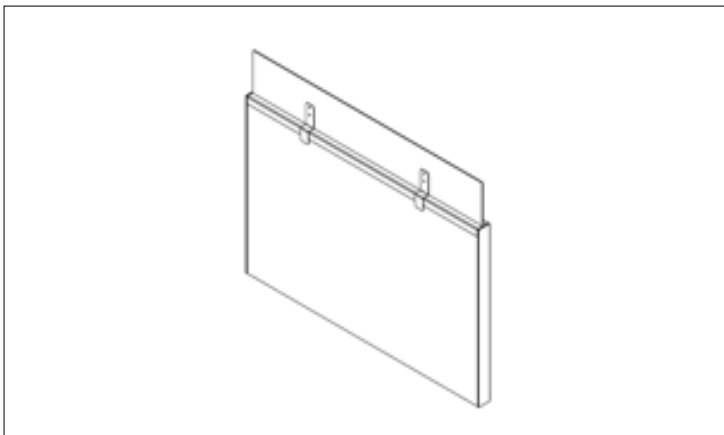
Aligning the holes in the Acrylic Screen and the Panel Clamp Bracket. Sandwich the Acrylic Screen between the Panel Clamp Bracket. Loosely attach all the Binding Bolts.

FIGURE 3.1



Install Screen/Clamp Bracket assembly over panel.

FIGURE 3.2



Tighten all Binding Bolt.
Assembly complete

FIGURE 3.3

ENWORK

1.800.815.7251

www.enwork.com

12900 Christopher Dr. Lowell, MI 49331

Specifications subject to change without notice.

Rev 09.2020