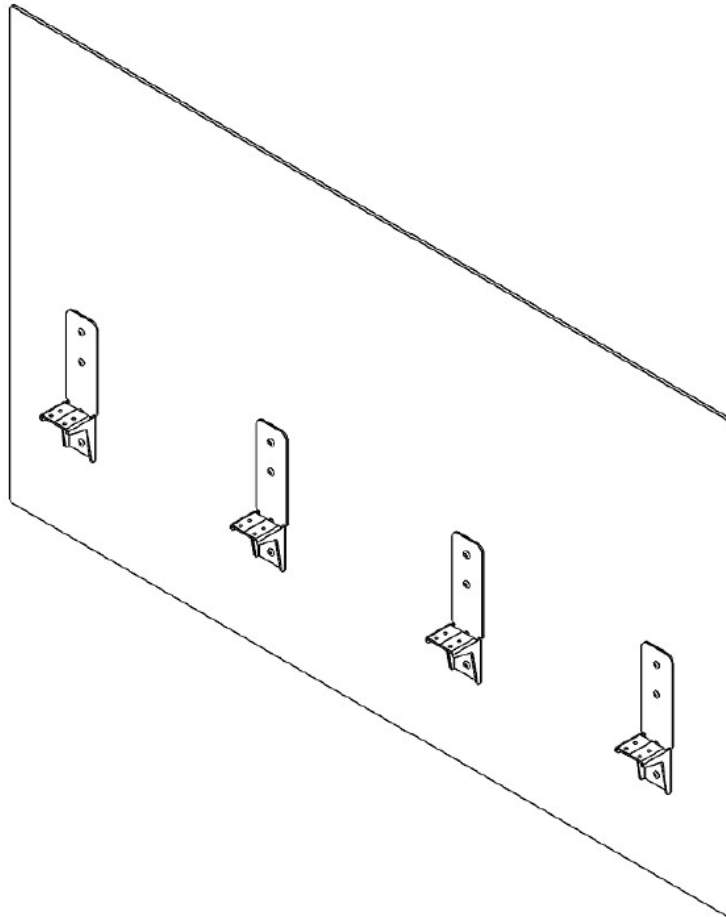


ENWORK

ACRYLIC ALL-IN-ONE 24" H INSTALLATION GUIDE

SCREENS



T I 0 0 5 4

Acrylic All-In-One Installation Guide Rev A

WARNING:

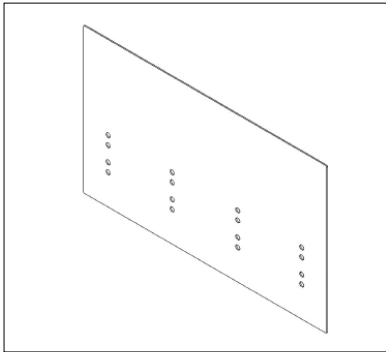
Acrylic screens scratch and scuff easily. After removing protective film, immediately and carefully install the screen.

DO NOT remove protective film from acrylic screens, then stack them in a pile or against each other. Experience shows this will cause marring and scratching.

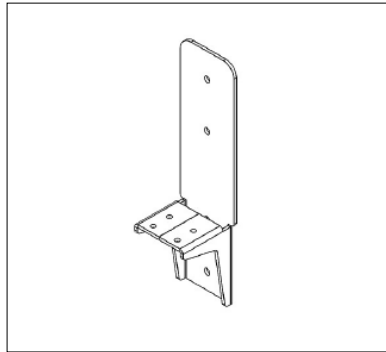
ENWORK

INSTALLATION GUIDE

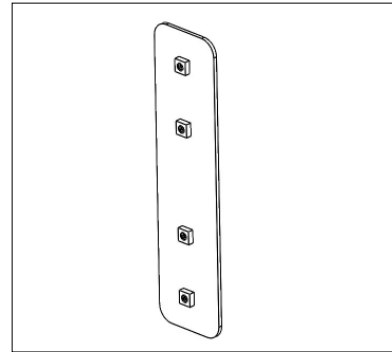
1) PARTS AND FASTENERS INCLUDED



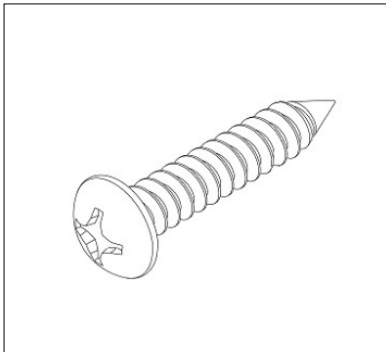
Screen



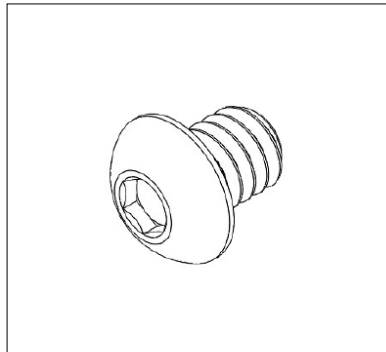
KTM-1906 Bracket



KTM-2384 Bracket

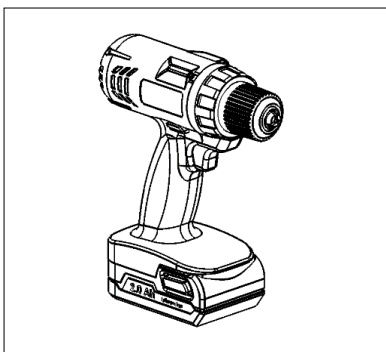


#10 x 1" Screws

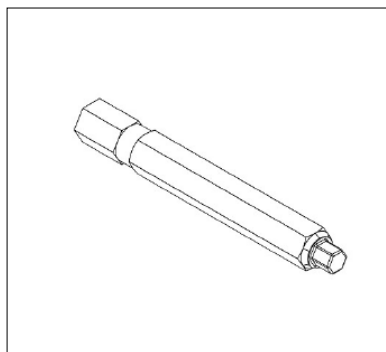


1/4-20 x 5/16" Button Head Hex
Drive Screw

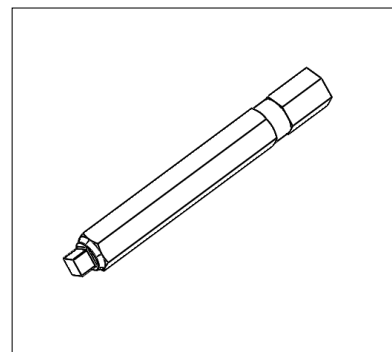
2) TOOLS AND SUPPLIES REQUIRED



Drill/Driver



Hex Driver Bit



Square Bit

ENWORK

INSTALLATION GUIDE

3) ASSEMBLY:

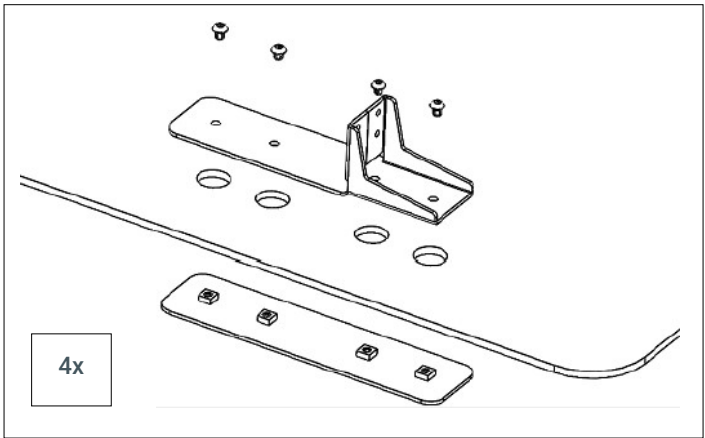


FIGURE 1

Align the Acrylic Screen holes over the Outer Bayonet Plate and bolt the Fixed Mount Bracket using the provided 1/4-20 x 5/16" Button Head Hex Drive Screws (Fig 1).

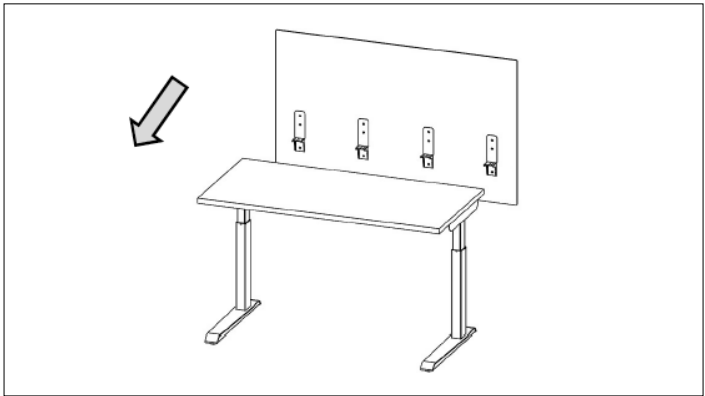


FIGURE 2

Position the Screen assembly to the rear of the worksurface, on center (Fig 2).

Note: This step may require 2 people. The Fixed Mount Bracket must not interfere with any part of the table understructure. This may require the understructure to be re-positioned.

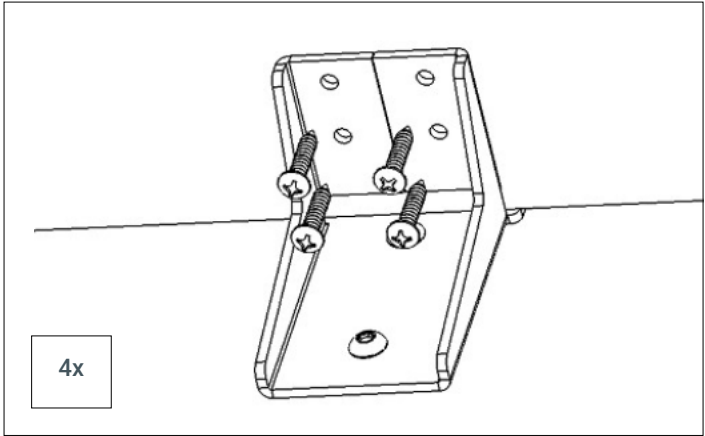


FIGURE 3

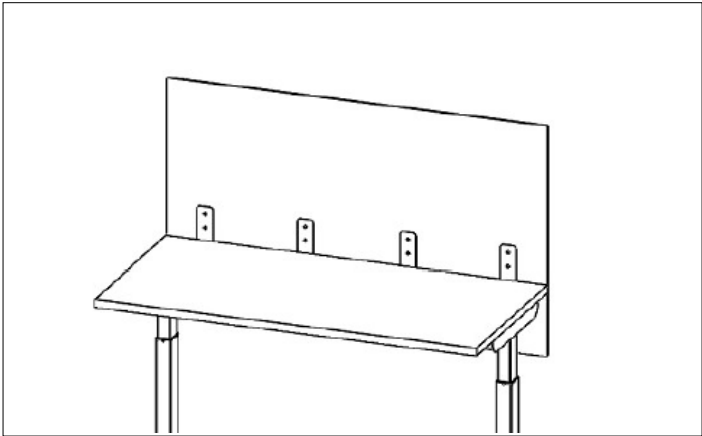
Once the screen is in the desired position, attach the Fixed Mount Bracket to the underside of the worksurface using the screws provided (Fig 3).

Note: Use the correct length screw depending on the worksurface thickness: #10 x 1" or #8 x 3/4".

ENWORK

INSTALLATION GUIDE

3) ASSEMBLY :



Assembly complete.

FIGURE 4

ENWORK

1.800.815.7251

www.enwork.com

12900 Christopher Dr. Lowell, MI 49331

Specifications subject to change without notice.

Rev 08.2020