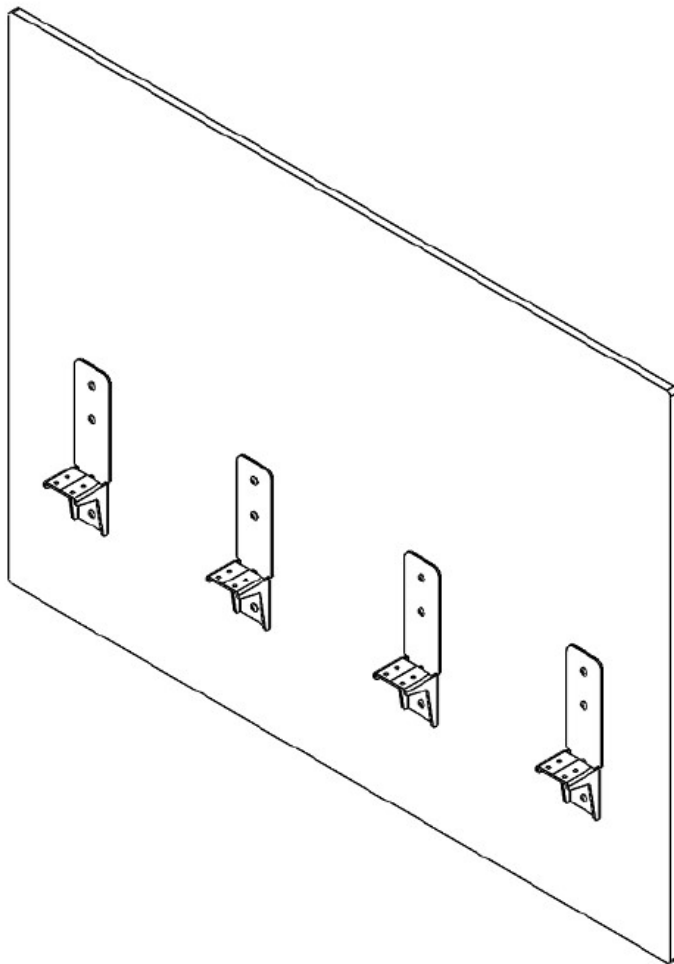


ENWORK

ACOUSTIC ALL-IN-ONE 24" H
INSTALLATION GUIDE

SCREENS



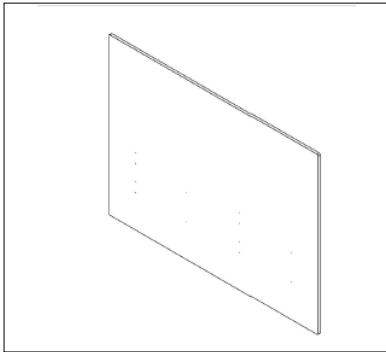
T I 0 0 5 3

Acoustic All-In-One Installation Guide Rev A

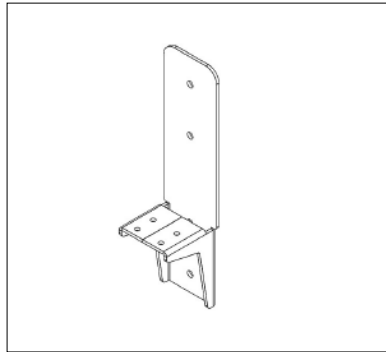
ENWORK

INSTALLATION GUIDE

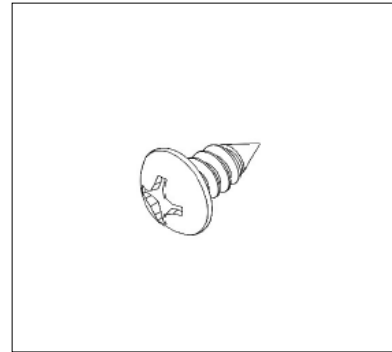
1) PARTS AND FASTENERS INCLUDED



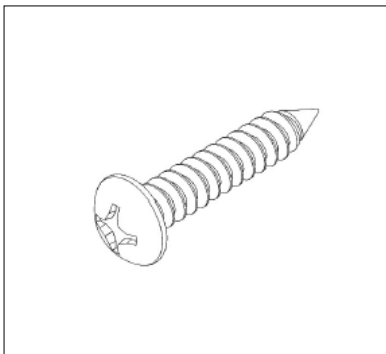
Screen



KTM-1906 Bracket

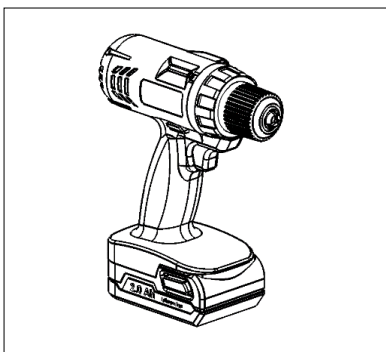


#12 x 1/2 Panhead Screws

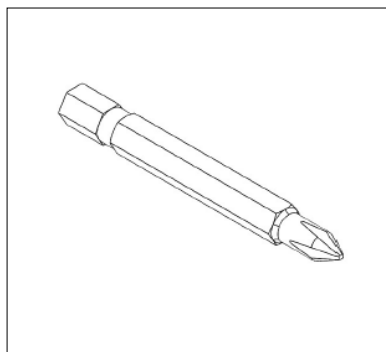


#10 x 1" Screws

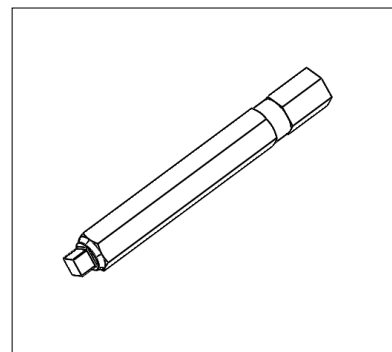
2) TOOLS AND SUPPLIES REQUIRED



Drill/Driver



Phillips Driver Bit



Square Bit

ENWORK

INSTALLATION GUIDE

3) ASSEMBLY:

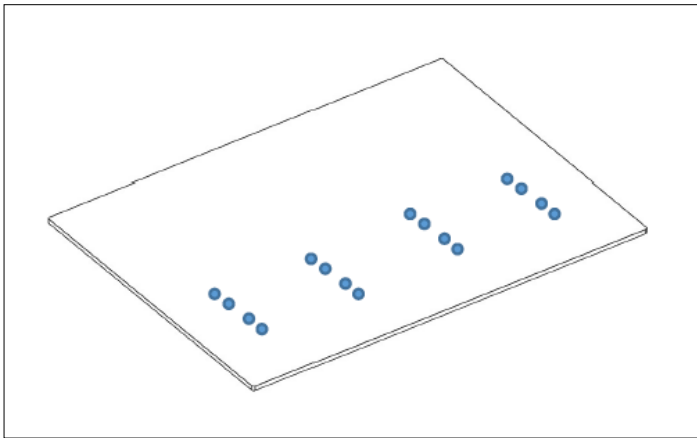


FIGURE 1

Lay the screen on a flat, clean surface. The screw locations will be marked with dots on the Acoustic Screen. (Fig 1)

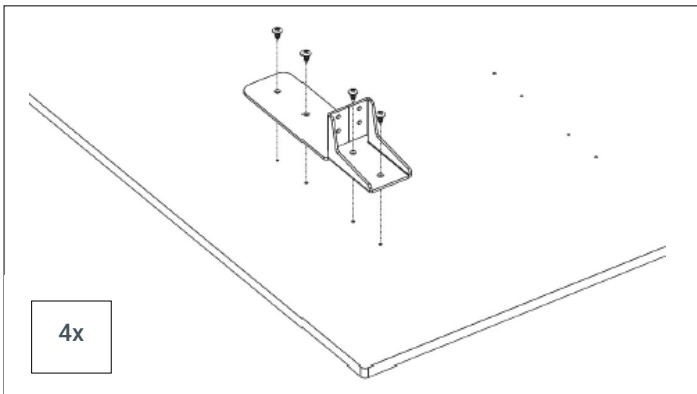


FIGURE 2

Align the KTM-1906 Bracket over the marked hole locations of the Acoustic Screens and attach using the provided #12 x 1/2" Pan Head Phillips Drive Screws. (Fig 2)

Note: DO NOT OVERTIGHTEN SCREWS. Set Drill to slowest speed and the lowest torque setting.

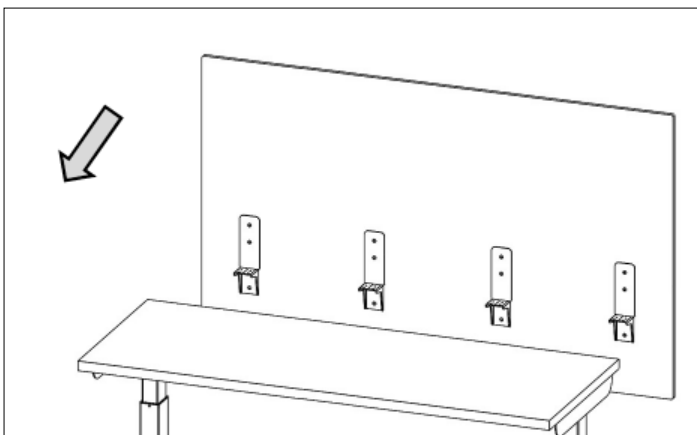


FIGURE 3

Position the Rear Screen assembly to the rear of the worksurface, on center. (Fig 3)

Note: This step may require 2 people.

The Fixed Mount Bracket must not interfere with any part of the table understructure. This may require the understructure to be re-positioned.

ENWORK

INSTALLATION GUIDE

3) ASSEMBLY:

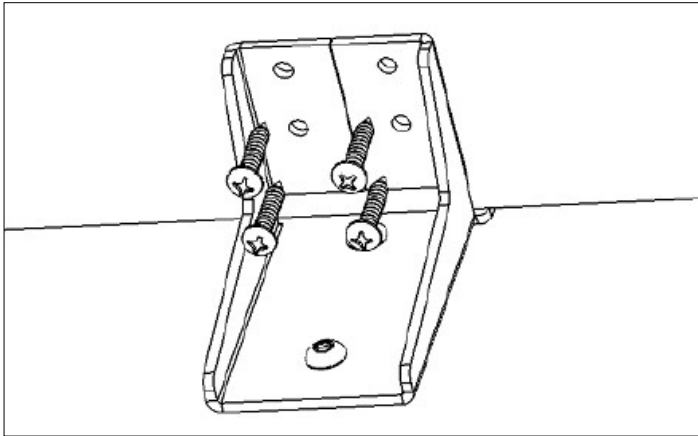


FIGURE 4

Once the screen is in the desired position, attach the Fixed Mount Bracket to the underside of the worksurface using the screws provided.

Note: Use the correct length screw depending on the worksurface thickness: #10 x 1" or #8 x 3/4".

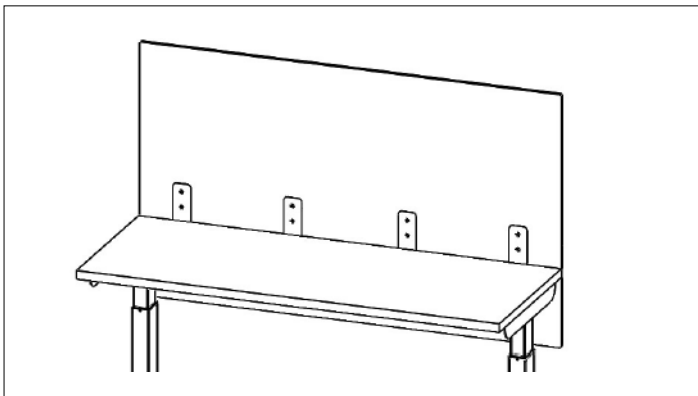


FIGURE 5

Assembly complete.

ENWORK

1.800.815.7251

www.enwork.com

12900 Christopher Dr. Lowell, MI 49331

Specifications subject to change without notice.

Rev 08.2020