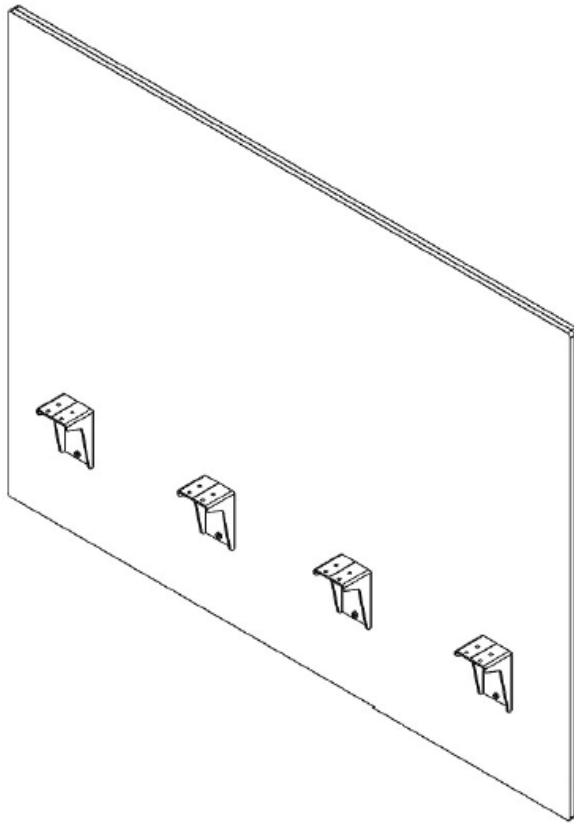


ENWORK

ALL-IN-ONE 24" H ABOVE WORKSURFACE
FABRIC & LAMINATE INSTALLATION GUIDE

S C R E E N S



T I 0 0 5 2

All-in-One Above Worksurface – Rev A.

WARNING:

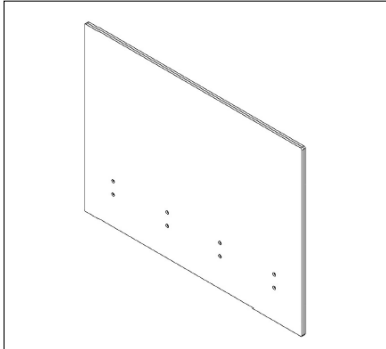
Acrylic screens scratch and scuff easily. After removing protective film, immediately and carefully install the screen.

DO NOT remove protective film from acrylic screens, then stack them in a pile or against each other. Experience shows this will cause marring and scratching.

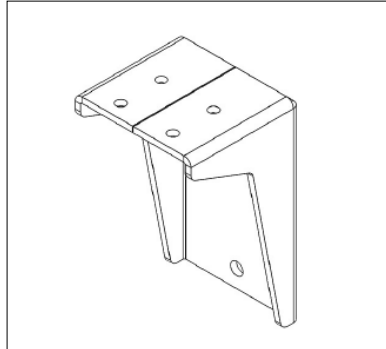
ENWORK

INSTALLATION GUIDE

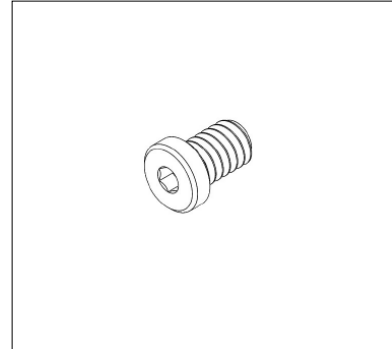
1) PARTS AND FASTENERS INCLUDED



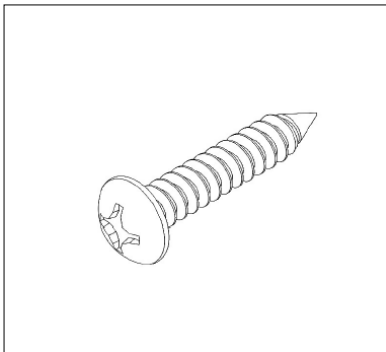
Screen



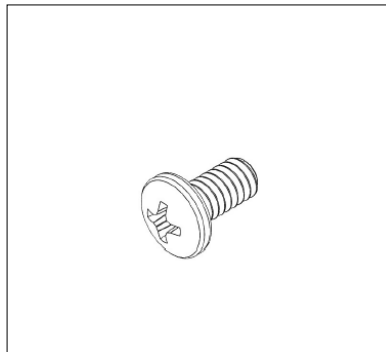
EM-1907 Bracket



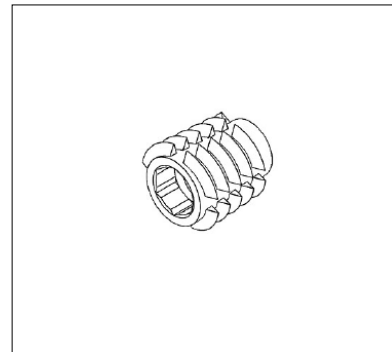
1/4-20 x .375 Low Profile
Socket Head Cap Bolt (Fabric)



#10 x 1" Screws



1/4-20 x .500 Phillips Head Screw
(Laminate)

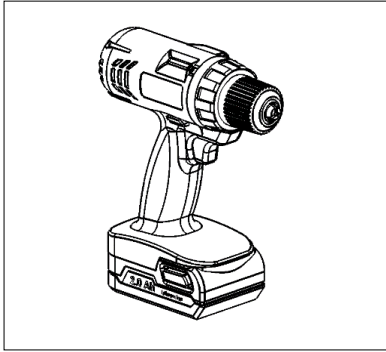


.25-20 Threaded Insert

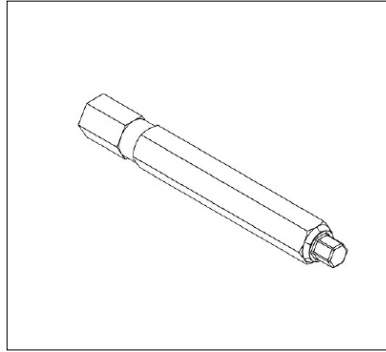
ENWORK

INSTALLATION GUIDE

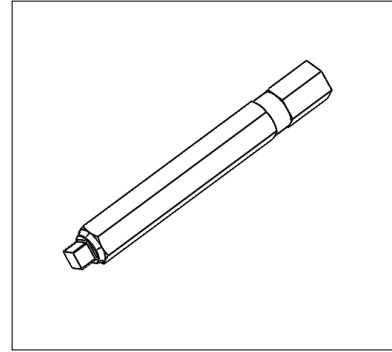
2) TOOLS AND SUPPLIES REQUIRED



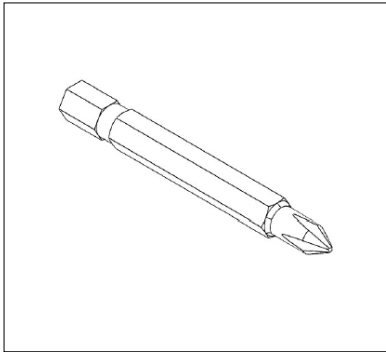
Drill/Driver



Hex Driver Bit



Square Bit



Phillips Driver Bit

3) ASSEMBLY: FABRIC PANEL ASSEMBLY

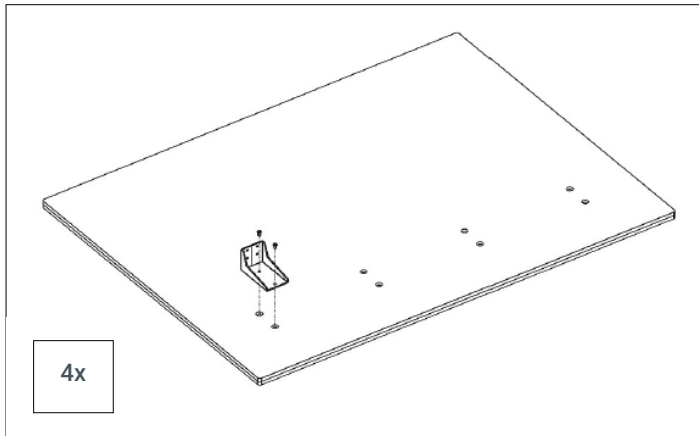


FIGURE 3.1

Lay the screen on a flat, clean surface.

Align the EM-1907 Brackets over the holes in the screen and attach using the provided ¼-20 x .375 Low Profile Socket Head Cap Bolts.(Fig 3.1)

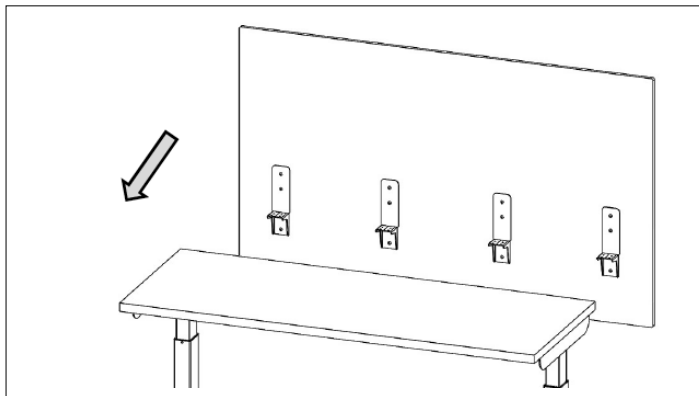


FIGURE 3.2

Note: This step requires 2 people.

Position the Screen assembly to the rear of the worksurface, on center. (Fig 3.2)

The Fixed Mount Bracket must not interfere with any part of the table understructure. This may require the understructure to be re-positioned.

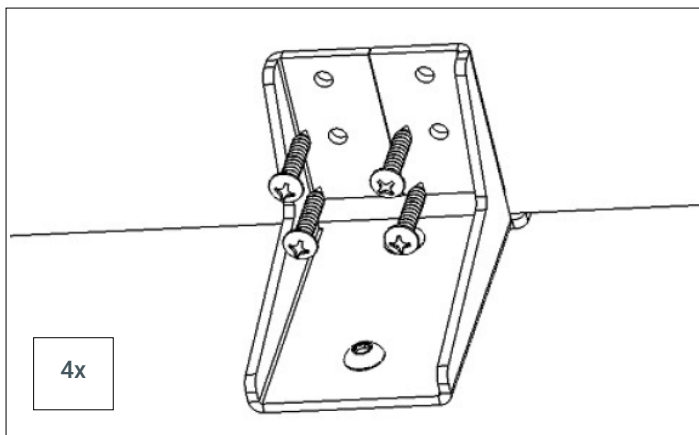


FIGURE 3.3

Once the screen is in the desired position, attach the Bracket to the underside of the worksurface using the screws provided. (Fig 3.3)

Note: Use the correct length screw depending on the worksurface thickness: #10 x 1" or #8 x ¾".

ENWORK

INSTALLATION GUIDE

4) ASSEMBLY: LAMINATE PANEL ASSEMBLY

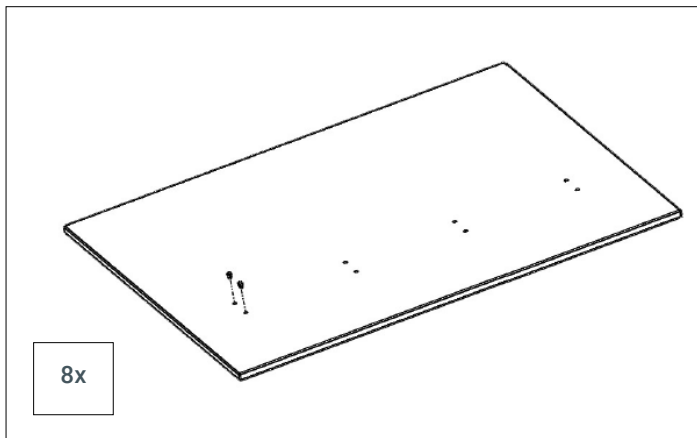


FIGURE 4.1

Lay the screen on a flat, clean surface. Align the .25-20 Threaded Inserts over the holes in the screen and install. (Fig 4.1)

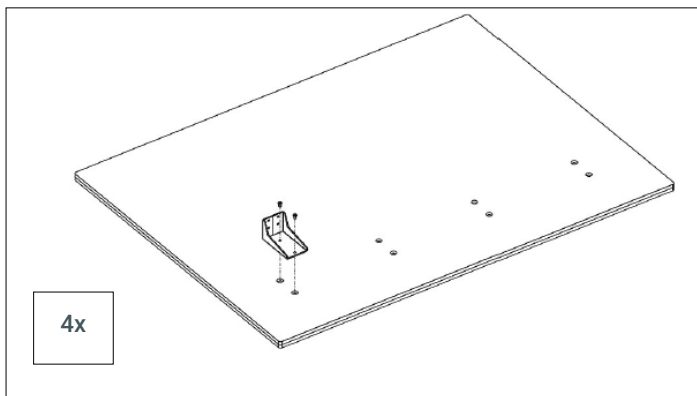


FIGURE 4.2

Align the EM-1907 Brackets over the holes in the screen and attach using the provided ¼-20 x .500 Phillips Head Screws. (Fig 4.2)

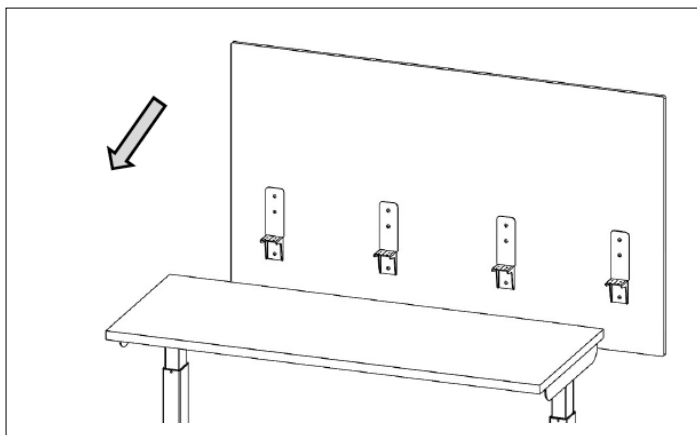


FIGURE 4.3

Position the Screen assembly to the rear of the worksurface, on center. (Fig 4.3)

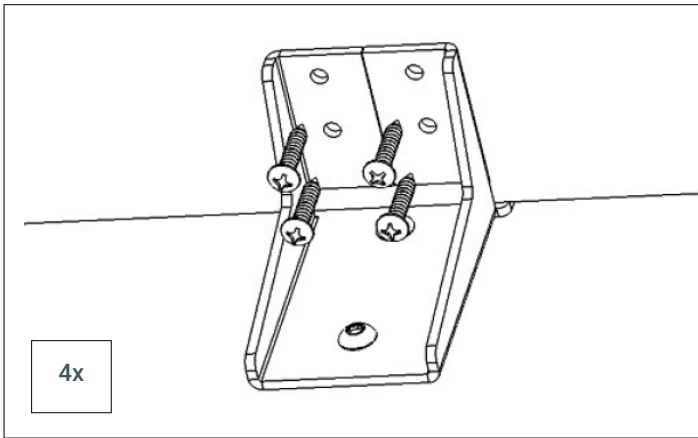
Note: This step requires 2 people.

The Fixed Mount Bracket must not interfere with any part of the table understructure. This may require the understructure to be re-positioned.

ENWORK

INSTALLATION GUIDE

3) ASSEMBLY: LAMINATE PANEL ASSEMBLY



Once the screen is in the desired position, attach the Bracket to the underside of the work surface using the screws provided. (Fig 4.4)

Note: Use the correct length screw depending on the work surface thickness: #10 x 1" or #8 x ¾".

FIGURE 4.4

ENWORK

1.800.815.7251

www.enwork.com

12900 Christopher Dr. Lowell, MI 49331

Specifications subject to change without notice.

Rev 08.2020