

ENWORK

# SKYLINE REMOVABLE TOPPER SCREEN INSTALLATION GUIDE

SCREENS



T I 0 0 5 1

Skyline Removable Bracket Panel Topper Installation Guide – Rev B.

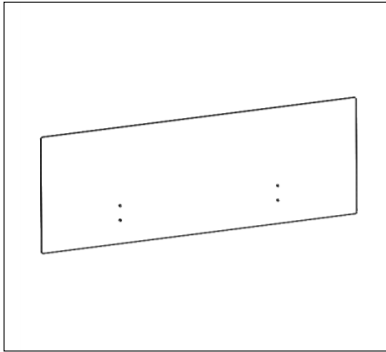
**WARNING:**

Acrylic screens scratch and scuff easily. After removing protective film, immediately and carefully install the screen. DO NOT remove protective film from acrylic screens, then stack them in a pile or against each other. Experience shows this will cause marring and scratching.

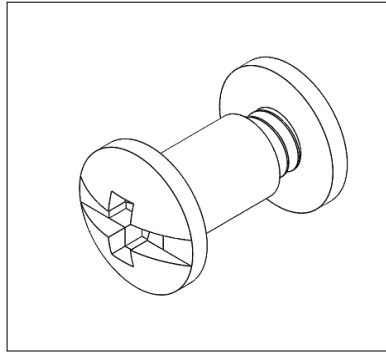
# ENWORK

## INSTALLATION GUIDE

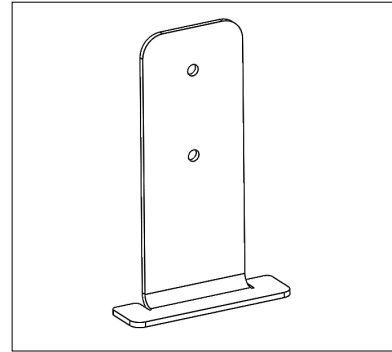
### 1) PARTS AND FASTENERS INCLUDED



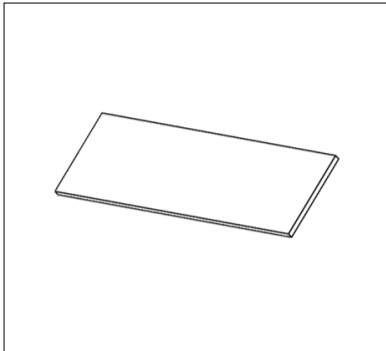
Screen Panel  
(Acrylic or Acoustic)



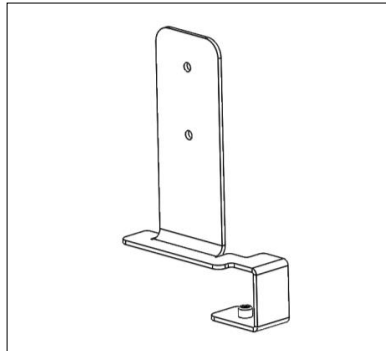
10-24 X .375-.50 BINDING BOLT



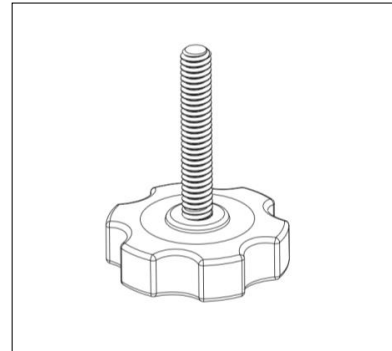
Bracket  
PNM-1947



Tape

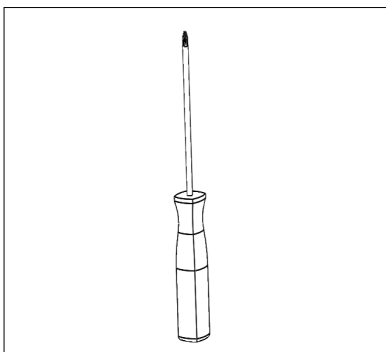


Clamp Bracket  
PNM-1948



Thumb Screw

### 2) TOOLS AND SUPPLIES REQUIRED



2x Phillips Screw Drivers

### 3) ASSEMBLY:

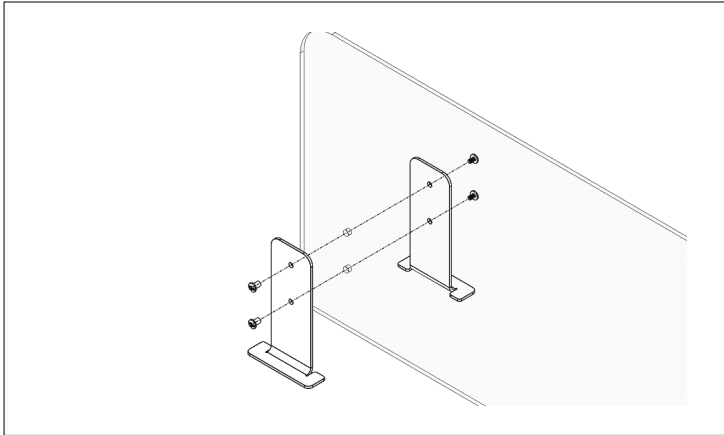


FIGURE 1

Each screen will use (3) PNM-1947 Brackets and (1) PNM-1948 Clamp Bracket.

Sandwich the Acrylic or Acoustic Panel Screen between the Brackets, aligning the holes in the screen and the bracket. Attach them all together with the Binding Bolt (FIGURE 1).

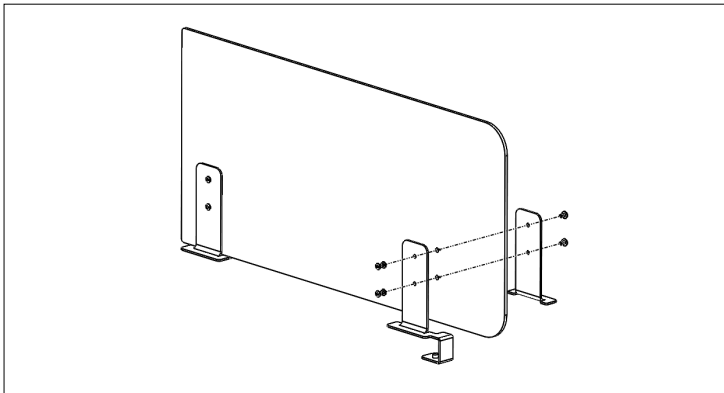


FIGURE 2

The screen may or may not be symmetrical (FIGURE 2). The large radii corners need to be at the front of the worksurface, where the user sits.

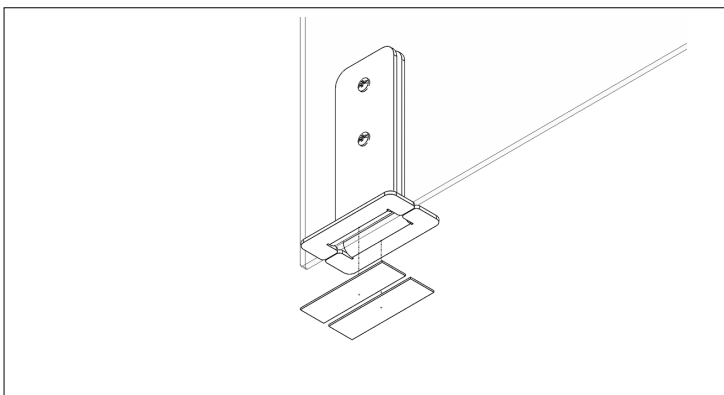


FIGURE 3

Remove the backer from one side of the double sized tape and apply it, centered, to each of the PNM-1947 Brackets. Both pieces should go onto the Pair seen of the of the PNM-1947 Brackets (FIGURE 3).

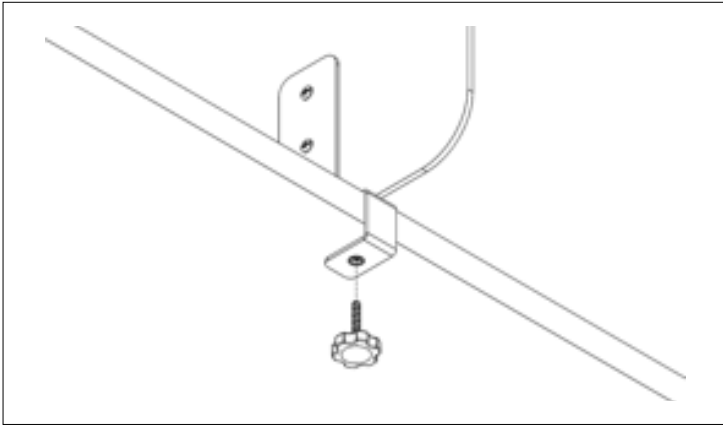
Clean the worksurface with Isopropyl Alcohol. Peel the second backer off the tape pieces and place the assembly in its desired location. Hold the assembly down firmly for 30 seconds to activate the tape.

**NOTE: The tape cure time is 24 hours. Please allow tape to cure before using screen.**

# ENWORK

## INSTALLATION GUIDE

### 3) ASSEMBLY :



Assembly the thumb screw into the PNM-1948 Clamp Bracket and tighten (FIGURE 4).

FIGURE 4

ENWORK

1.800.815.7251

[www.enwork.com](http://www.enwork.com)

12900 Christopher Dr. Lowell, MI 49331

Specifications subject to change without notice.

Rev 11.2020