

ENWORK

SKYLINE FIXED TOPPER SCREEN INSTALLATION GUIDE

SCREENS



T I 0 0 4 9

Skyline Fixed Bracket Panel Topper Installation Guide – Rev A.

WARNING:

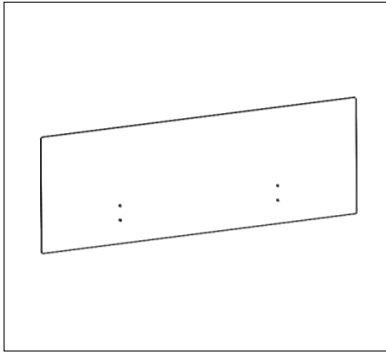
Acrylic screens scratch and scuff easily. After removing protective film, immediately and carefully install the screen.

DO NOT remove protective film from acrylic screens, then stack them in a pile or against each other. Experience shows this will cause marring and scratching.

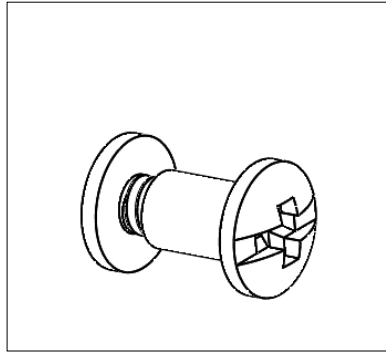
ENWORK

INSTALLATION GUIDE

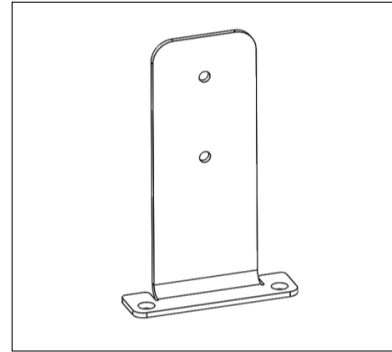
1) PARTS AND FASTENERS INCLUDED



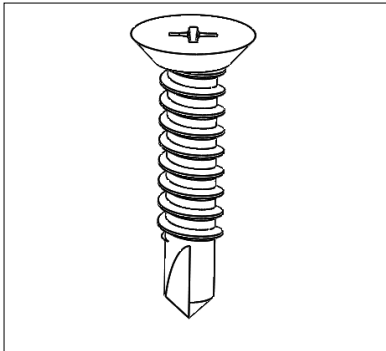
Screen Panel



Binding Bolt Pair

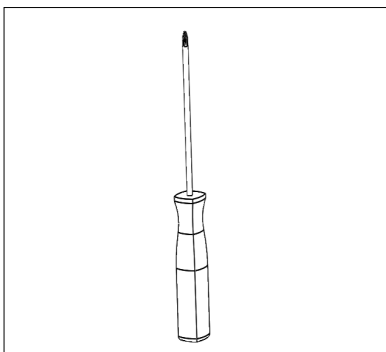


PNM-1954 Bracket

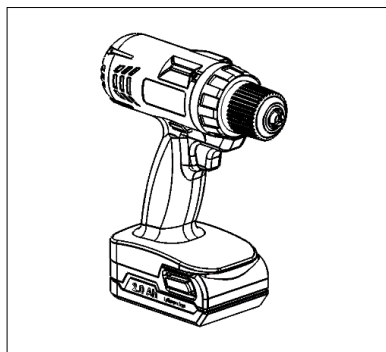


#10 Self Drilling Screws

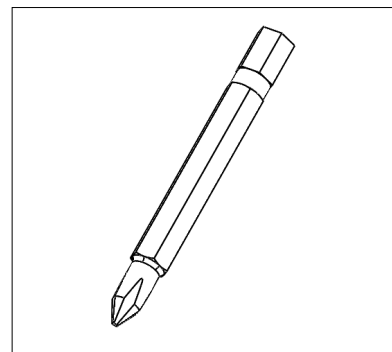
2) TOOLS AND SUPPLIES REQUIRED



2x Phillips Screw Drivers



Drill/Screwdriver



Phillips Driver Bit

ENWORK

INSTALLATION GUIDE

3) ASSEMBLY :

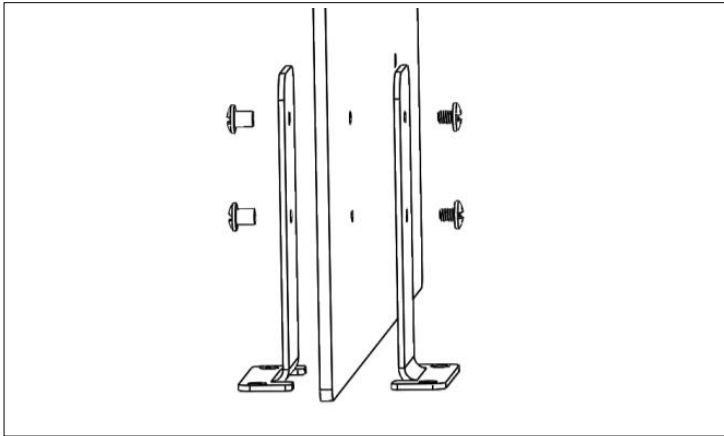


FIGURE 1

Sandwich the Acrylic or Acoustic Panel Screen between the Brackets by aligning the holes in the brackets and screens. Attach them all together with the Binding Bolt pair.

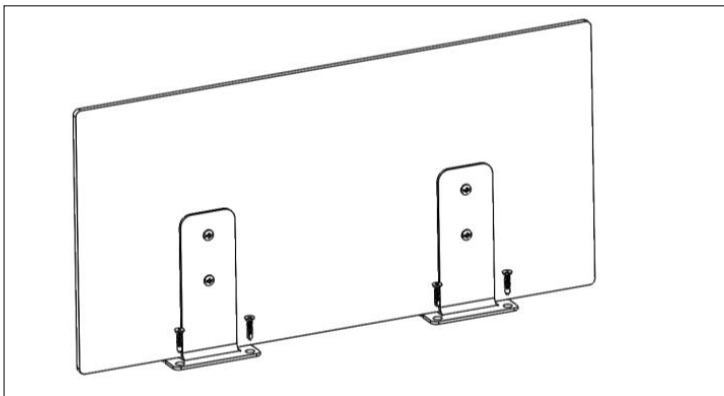


FIGURE 2

Place the assembly in its location and use the #10 Self Drilling Screws to firmly attach the screen assembly to your surface in the desired location.

ENWORK

1.800.815.7251

www.enwork.com

12900 Christopher Dr. Lowell, MI 49331

Specifications subject to change without notice.

Rev 09.2020