

ENWORK

SKYLINE MAGNETIC TOPPER SCREENS INSTALLATION GUIDE

SCREENS



WARNING:

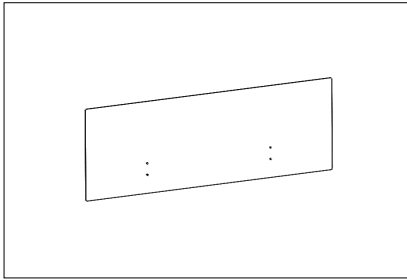
Acrylic screens scratch and scuff easily. After removing protective film, immediately and carefully install the screen.

DO NOT remove protective film from acrylic screens, then stack them in a pile or against each other. Experience shows this will cause marring and scratching.

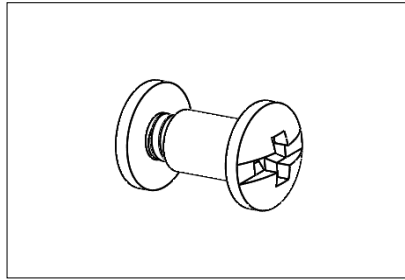
ENWORK

INSTALLATION GUIDE

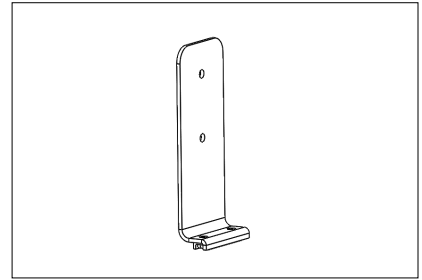
1) PARTS AND FASTENERS INCLUDED



Screen Panel

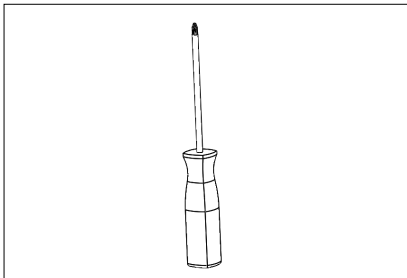


Binding Bolt Pair



Magnetic Bracket

2) TOOLS AND SUPPLIES REQUIRED



2x Phillips Screwdrivers

3) ASSEMBLY :

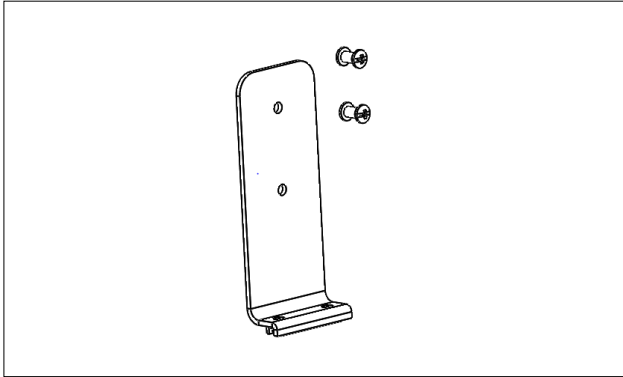


FIGURE 1

Locate the Magnetic Brackets and Binding Bolts.
Confirm that the magnets are installed.

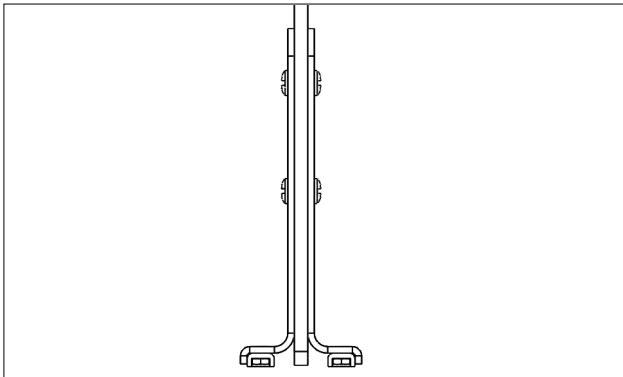


FIGURE 2

Sandwich the Acrylic or Acoustic Panel Screen between
the Magnetic Brackets and attach them all together with
the Binding Bolt pair.

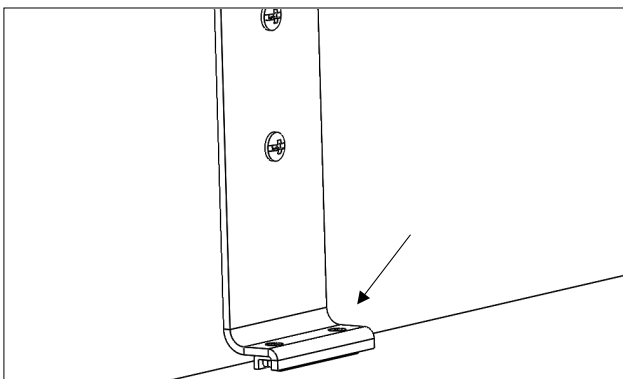


FIGURE 3

Place the assembly in its location and verify that the
magnets are sitting flush on the surface. If not, loosen
the bolts to let the magnet sit flush.

ENWORK

1.800.815.7251

www.enwork.com

12900 Christopher Dr. Lowell, MI 49331

Specifications subject to change without notice.

Rev 06.2020