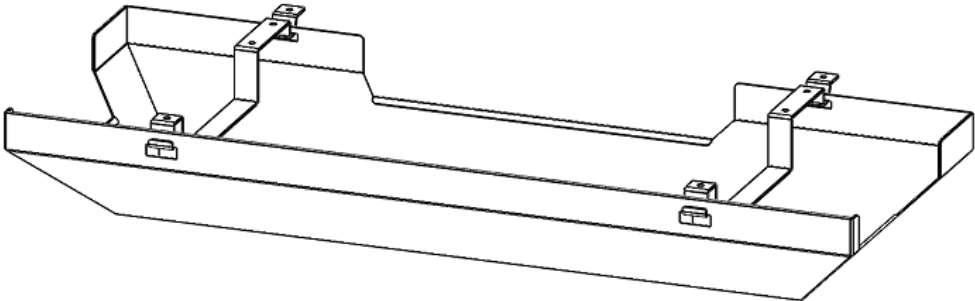


ENWORK

# PROXI WIRE TROUGH INSTALLATION GUIDE

BENCHING



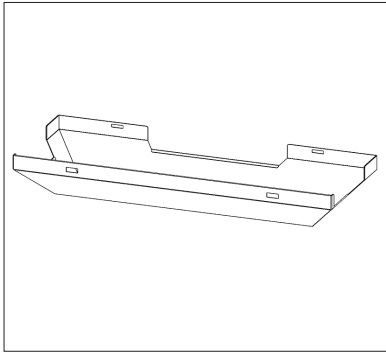
**T I 0 0 4 4**

Proxi Trough Installation Guide – Rev A

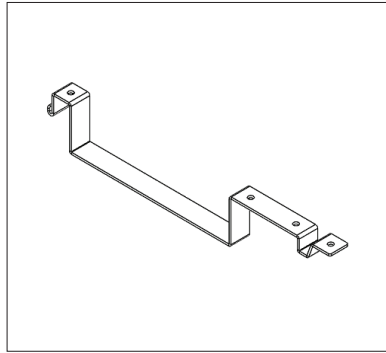
# ENWORK

## INSTALLATION GUIDE

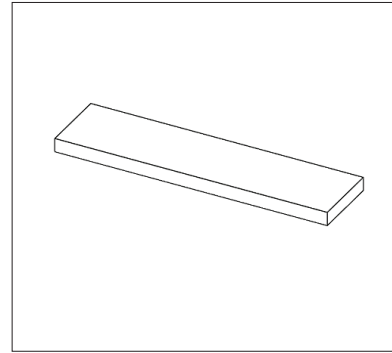
### 1) PARTS AND FASTENERS INCLUDED



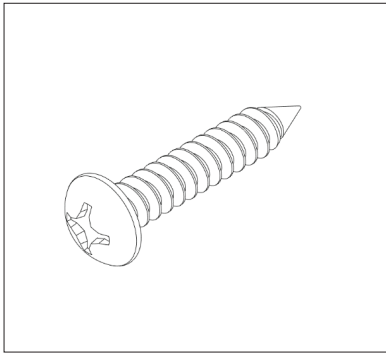
Trough



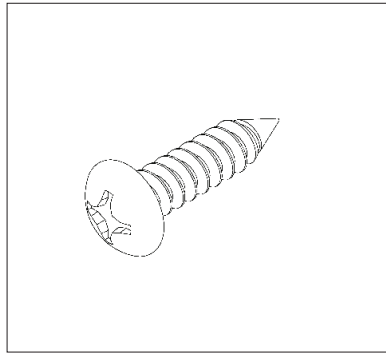
Bracket Hooks (2x)



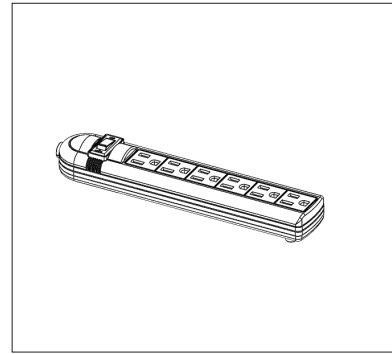
3" x 3/4" Velcro Strip



#10x 1" Panhead Phillips (8x)

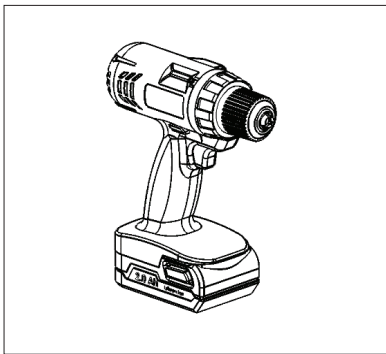


#8 x 3/4" Pan Head Phillips (8x)

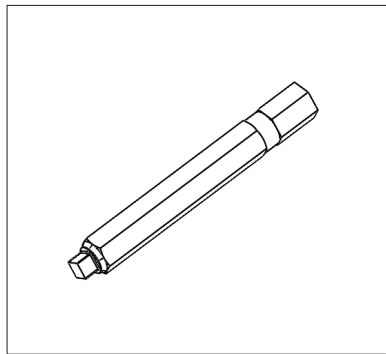


Power Strip

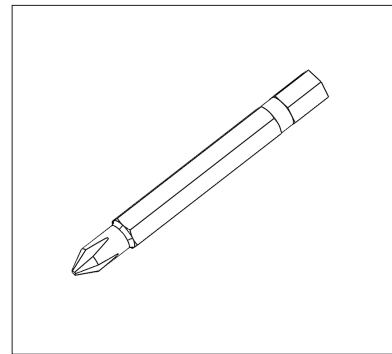
### 2) TOOLS AND SUPPLIES REQUIRED



Power Drill



#2 Square Bit



Phillips Bit

### 3) ASSEMBLY:

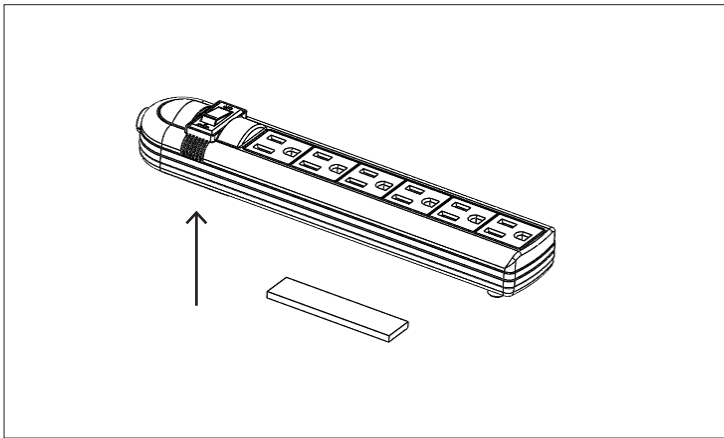


FIGURE 3.1

1. Remove the film on one side of the Velcro strip and adhere it to the bottom of the power strip, pressing firmly.

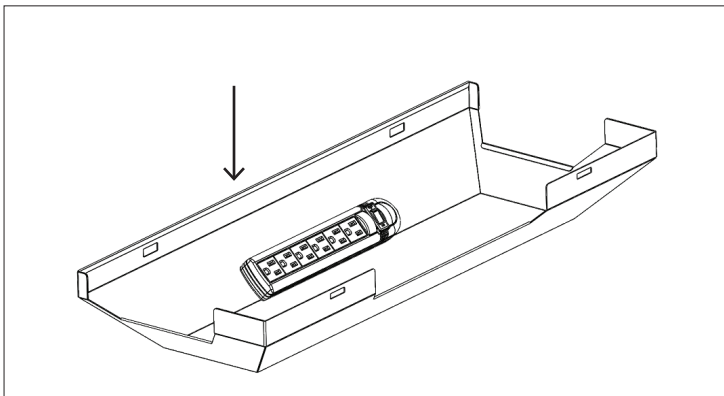


FIGURE 3.2

2. Remove the film on the other side of the Velcro strip and place the power strip in the trough, pressing firmly, as shown in Figure 4.2

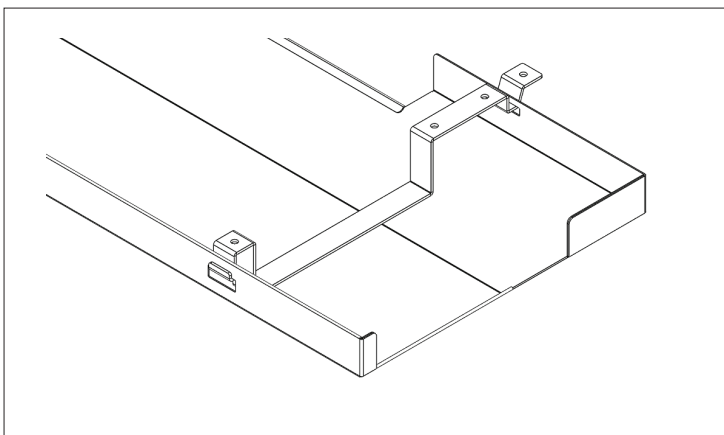


FIGURE 3.3

3. Loosely install the bracket hooks to the trough (2x).

# ENWORK

## INSTALLATION GUIDE

### 3) ASSEMBLY :

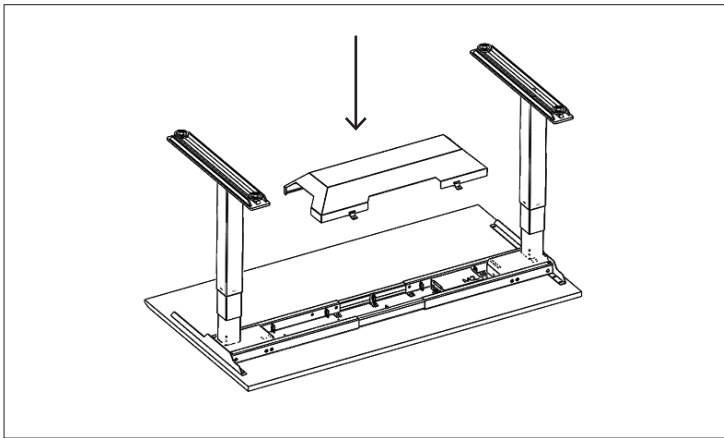


FIGURE 3.4

4. With the table flipped on its topside, position the trough over the crossbars of the base, centering from front to back.

*Note: Make sure the worksurface does not get damaged by laying it on a carpet or blanketed floor*

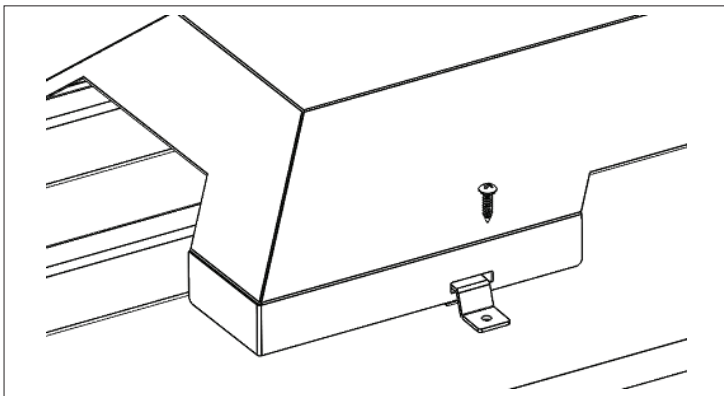


FIGURE 3.5

5. Using the screws provided, secure the rear of both bracket hooks (2x).

*Note: Use the correct length screw depending on the top thickness.*

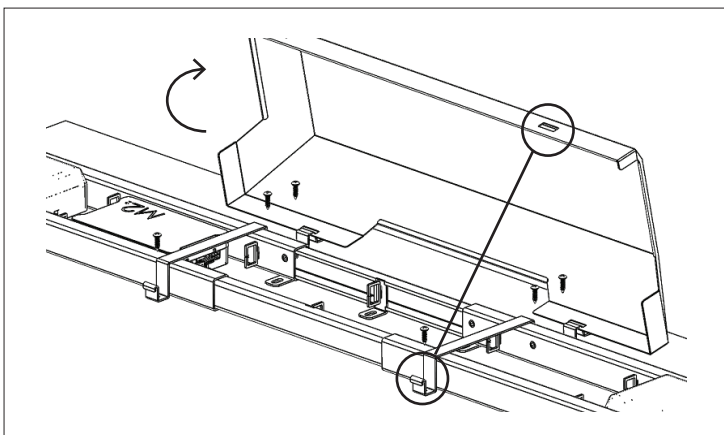


FIGURE 3.6

6. Open the trough and secure the bracket hooks with the rest of the screws provided (6x).

*Note: Make sure the hook opening and hook are aligned in the front of the trough before securing, as shown in Figure 4.6.*

# ENWORK

## INSTALLATION GUIDE

### 3) ASSEMBLY:

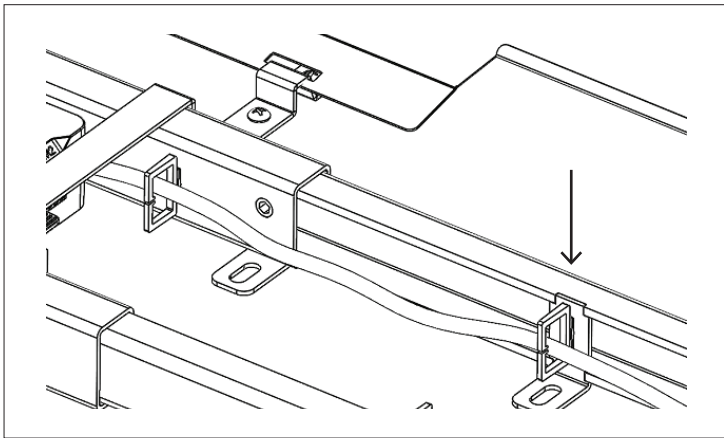


FIGURE 3.7

7. Begin to organize the cords. Single cords can be managed with the integrated wire management clips in the base.

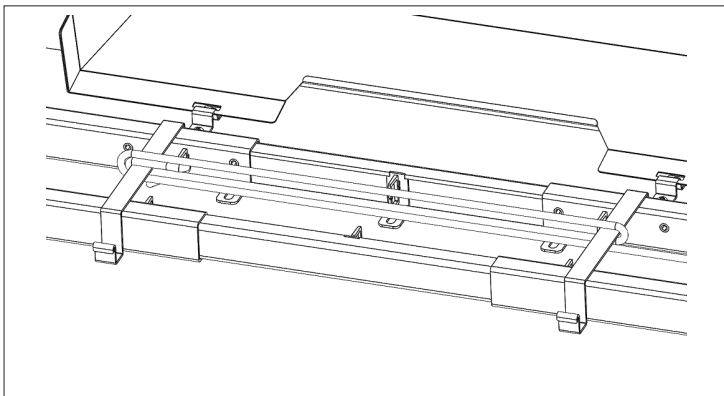


FIGURE 3.8

8. Extra slack/cord bundles can be wrapped around the bracket hooks.

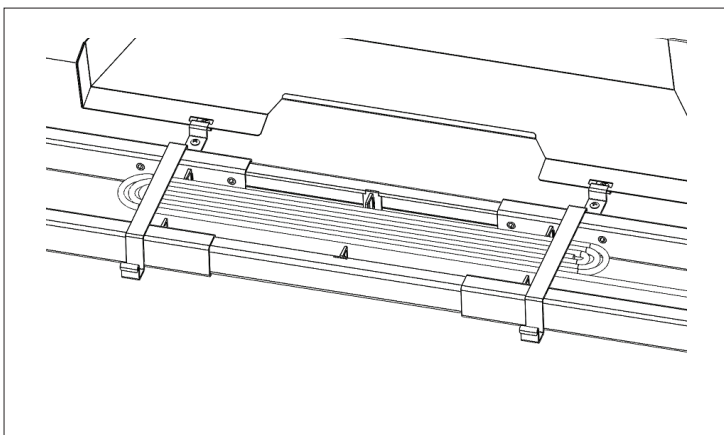


FIGURE 3.9

9. Or extra slack/cord bundles can be zip-tied to the bracket hooks.

# ENWORK

## INSTALLATION GUIDE

### 3) ASSEMBLY:

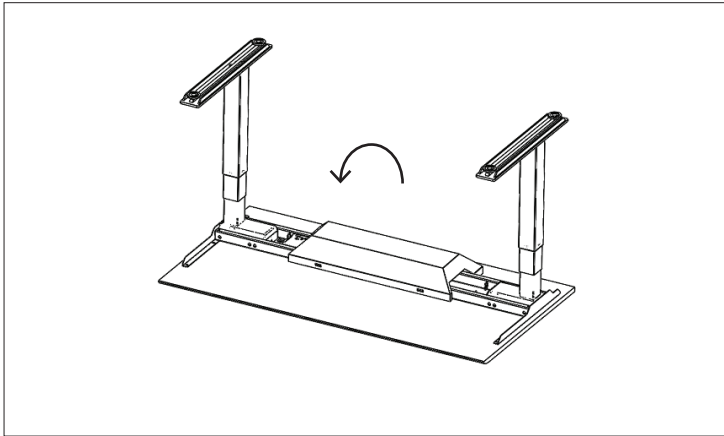


FIGURE 3.10

7. Begin to organize the cords. Single cords can be managed with the integrated wire management clips in the base.

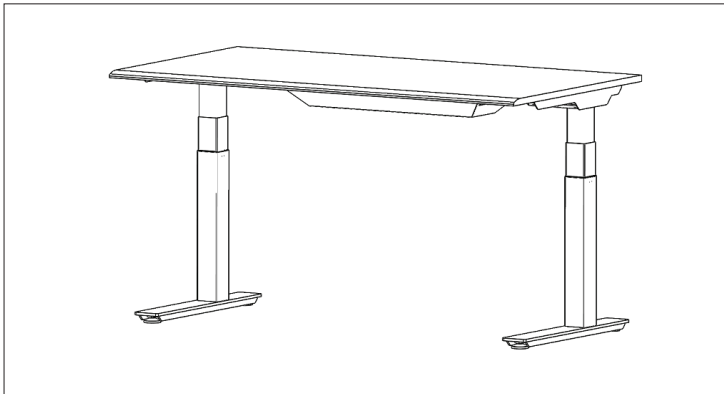


FIGURE 3.11

Enjoy!

ENWORK

1.800.815.7251

[www.enwork.com](http://www.enwork.com)

12900 Christopher Dr. Lowell, MI 49331

Specifications subject to change without notice.

Rev 04.2020