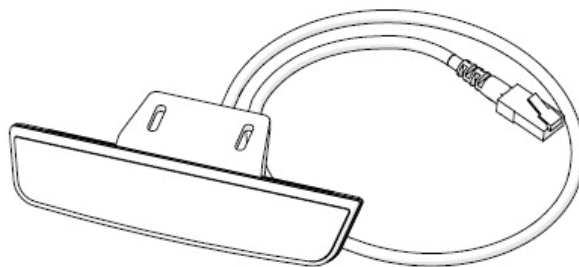
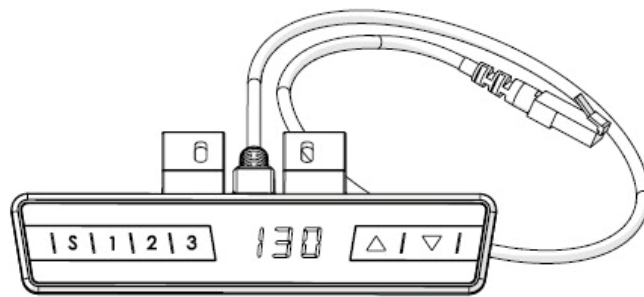


ENWORK

PROXI PROGRAMMABLE
REMOTE CONTROL USER GUIDE

HEIGHT ADJUSTABLE TABLE



T I 0 0 4 1

Programmable Remote Control Model – Rev 1
Model of Applicable Control Unit: M1.1/M2.1/M2.2/M1.3/M2.3
Compatible with Solano VT & Solano VT2
Revised 09/19

TABLE OF CONTENTS

1) Installation Package

2) Assembly

- 2.1 Torque Guide
- 2.2 Assembly Step by Step

3) Simple Operating Instructions

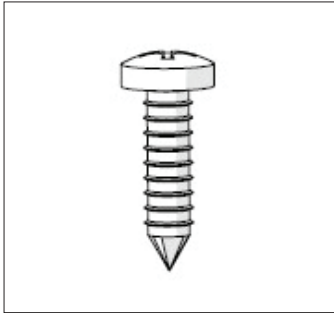
- 3.1 Zero Setting
- 3.2 General Operation
- 3.3 Container and Shelf Stop Position
- 3.4 Saving a Desktop Position
- 3.5 Adjusting the Desktop to a saved position

4) Programmable Remote Control Operating Instructions

- 4.1 Enter the Setting Menu
- 4.2 Change the displayed desktop position (cm or inch)
- 4.3 Intelligent System Protection for Desktop move up
- 4.4 Intelligent System Protection for Desktop move down
- 4.5 Changing the Desktop Height Displayed
- 4.6 Lock or Unlock the programmable remote control
- 4.7 Reset Control Unit to Factory Settings

1) INSTALLATION PACKAGE

When installing the remote control, use the screws below.

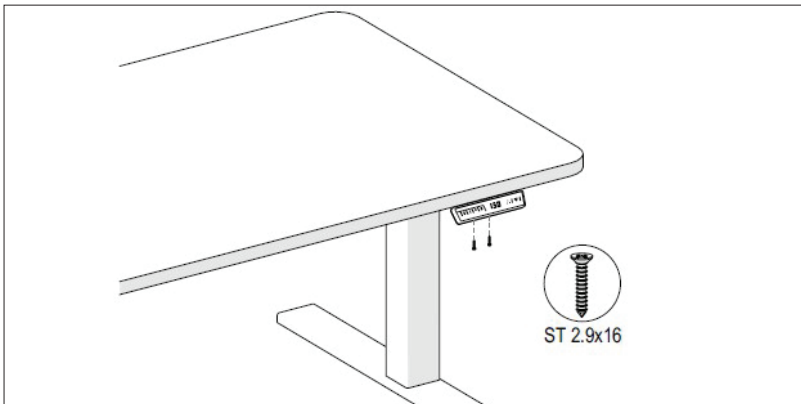


ST 2.9x16 (2 pcs)

2) ASSEMBLY

2.1 Torque Guide

The tightening torque depends on the wood; torque should not exceed 2Nm.



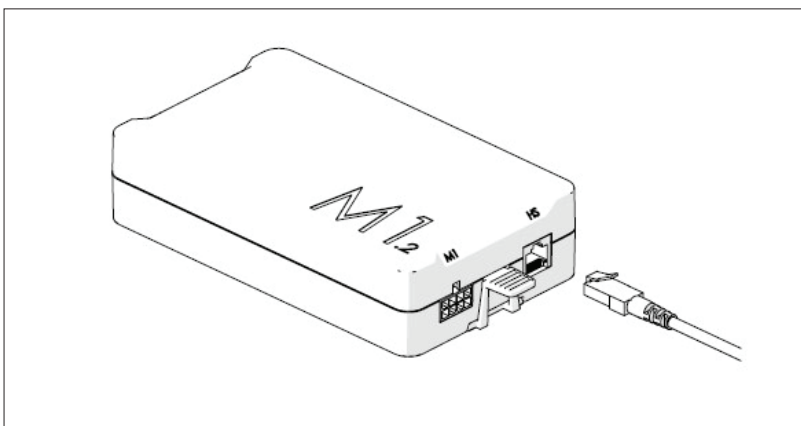
STEP 1

2.2 Assembly Step by Step

Please follow the steps below to attach the Remote Control

Step 1

Attach the Remote Control as illustrated.



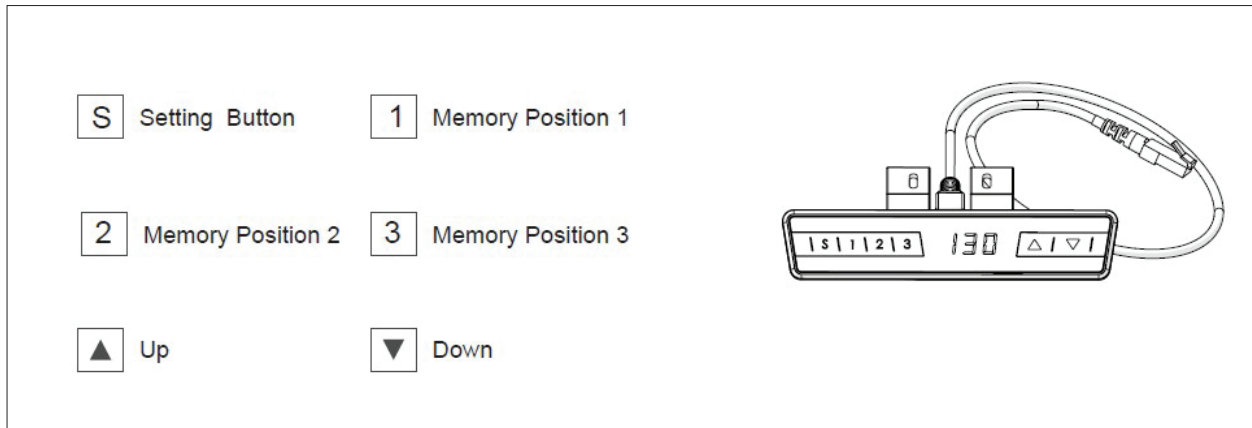
STEP 2

Step 2

Connect Remote Control Cable to the Control Unit as illustrated. (Control Unit picture may vary)

3) SIMPLE OPERATING INSTRUCTIONS

Please read the instructions below carefully before operating the Remote Control.



3.1 Zero Setting:

When using the height adjustable frame for the first time, lower the desk to the lowest height as explained before below proceeding.

- Press ▼ button and keep pressing the button until the desktop has reached the lowest position (programmed desktop position).
- Press ▼ button again and hold. After about five seconds the desktop will slowly move further down until it reaches the lowest possible desktop position.
- Release ▼ button. The electric height adjustable frame is now ready for use.

⚠ Zero setting position is approximately 5mm lower than original starting height position.

3.2 General Operation:

This function enables you to adjust the frame upwards or downwards.

Press ▼ or ▲ button and keep pressing until the required frame height is reached.

⚠ The frame will continue moving upwards or downwards until you release the button or the maximum/minimum height is reached

3.3 Container and Shelf Stop position:

These two features can be used to limit the movement area of the desktop (e.g. if a container is placed underneath the desktop).

A container stop position can be defined in the lower half of the movement area, a shelf stop position in the upper half. If a container stop position is set, this position will be the lower limit position. If a shelf stop position is set, this position will be the new upper limit position.

To store a container stop / shelf stop position, go on as shown below:

- Move the frame to the position where the container stop / shelf stop position shall be stored. Do so by pressing the ▼ or ▲ button until you reach the desired position.
- Press both the up and down button (▼ or ▲) for five seconds. The control unit will "bi" once when the contained stop / shelf stop position is stored.

⚠ A container stop position can only be stored in the lower half of the movement area and a shelf stop in the upper half. The steps have to be done for a container stop and a shelf stop position separately.

3) SIMPLE OPERATING INSTRUCTIONS CONT.

To remove the container stop/ shelf stop position follow the instructions below:

- Move the frame to any position in the lower half to deactivate the container stop. Move the frame to any position in the upper half to deactivate the shelf stop. Do so by pressing the ▼ or ▲ button until you reach the desired position.
- Press both up and down button (▼ or ▲) for five seconds. The control unit will “bi” once when the container stop / shelf stop position has been removed.



These steps have to be done for a container stop and a shelf stop position separately!

3.4 Saving a desktop position:

This function allows you to save a defined desktop height. One desktop height can be saved per memory position key. To save a position follow the instructions below:

- Adjust the desktop to the desired desktop position you would like to save. The display will show the desktop height (e.g. 73cm).
- Press the Setting button (S). The display will read S--.
- Press the desired memory position button (e.g. 2). The display will read S 2.
- The set desktop position will now be saved to the selected memory position button.



When turning on the control unit for the first time, all saved positions are set to the lowest desktop height (minimum desktop position).

3.5 Adjusting the desktop to a saved position:

You can use this function to adjust the desktop to a saved height.

To change to a saved position, follow the instructions below:

- Press the desired memory position button (e.g. 2) and hold it down. The desktop will move until it reaches the saved position.
- If you release the key before the saved position is reached the desktop will stop and the saved desktop position will not be reached.
- The desktop has reached the saved position. Now release the memory position button. The display will read the current (saved) desktop position.

4) PROGRAMMABLE REMOTE CONTROL OPERATING INSTRUCTIONS

4.1 Enter the setting menu

Follow the instructions below to enter the setting menu to change the settings for the control unit.

- Press the "S" button five seconds. The display will read "S - X".
- The display will start flashing.
- Pressing up or down button (▼ or ▲) to choose which parameter to change.
- Press the "S" button to enter the setting.

4.2 Change the displayed desktop position (cm or inch)

Follow the instructions below to change the displayed desktop position from centimeters to inches or the other way around.

The desktop position itself is not affected by this function.

- Within the setting menu choose "S - 1".
- Press the "S" button to enter the setup menu.
- Press the up or down button (▼ or ▲) to choose the desired setting. "0" means display with "cm" while "1" means display with "inch".
- Press the "S" button to finish the setup.

4.3 Intelligent system protection for desktop move up

Follow the instructions below to change the sensitivity of the intelligent system protection for desktop move up.

- Within the setting menu choose "S - 3".
- Press the "S" button to enter the setup menu.
- Press the up or down button (▼ or ▲) to choose the desired setting. "0" means ISP close, "1" means ISP least sensitive, "8" means ISP most sensitive.
- Press the "S" button to finish the setup.

4.4 Intelligent system protection for desktop move down

Follow the instructions below to change the sensitivity of the intelligent system protection for desktop move down.

- Within the setting menu choose "S - 4".
- Press the "S" button to enter the setup menu.
- Press the up or down button (▼ or ▲) to choose the desired setting. "0" means ISP close, "1" means ISP least sensitive, "8" means ISP most sensitive.
- Press the "S" button to finish the setup.

4.5 Changing the desktop height displayed

Follow the instructions below to change the height shown on the display but not the actual position of the desktop.

- Within the setting menu choose "S - 5".
- Press the "S" button to enter the setup menu.
- Press the up or down button (▼ or ▲) to adjust the number for the height shown on the display.
- Press the "S" button to finish the setup.

4) PROGRAMMABLE REMOTE CONTROL OPERATING INSTRUCTIONS CONT.

Follow the instruction below to lock or unlock the programmable remote control.

- Press the "S" and down button (▼) and hold for five seconds.
- The display will show "Loc" which means the remote control is now locked.
- Press the "S" and up button (▲) and hold for five seconds.
- The display will show the height which means the remote control is now unlocked.

4.7 Reset control unit to factory settings

Follow the instructions below to use a configured control unit on another identical electric height adjustable frame or to reset the control unit to its original factory settings.

- Press the up and down button (▼ or ▲) and hold for ten seconds.
- The control unit will "bi" and flash "000".
- Press the down button (▼) until the display shows the height of the desktop. The control unit has now been reset to the original factory settings.



If one or more motors are changed in a system, the control box must be reset to factory settings and a manual reset has to be preformed!

ENWORK

1.800.815.7251

www.enwork.com

12900 Christopher Dr. Lowell, MI 49331

Specifications subject to change without notice.