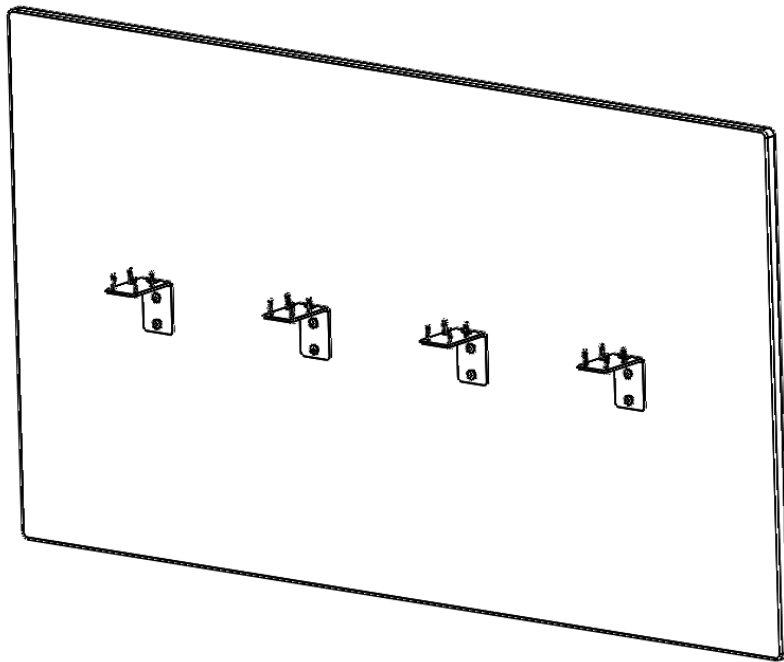


ENWORK

ALL-IN-ONE PRIVACY/MODESTY PANEL INSTALLATION INSTRUCTIONS

ACCESSORIES



T I 0 0 3 5

All-In-One Privacy/Modesty Panel Installation Instructions

WARNING:

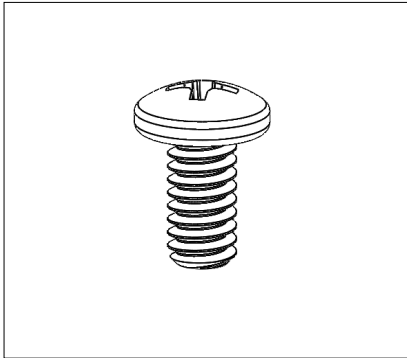
Acrylic screens scratch and scuff easily. After removing protective film, immediately and carefully install the screen.

DO NOT remove protective film from acrylic screens, then stack them in a pile or against each other. Experience shows this will cause marring and scratching.

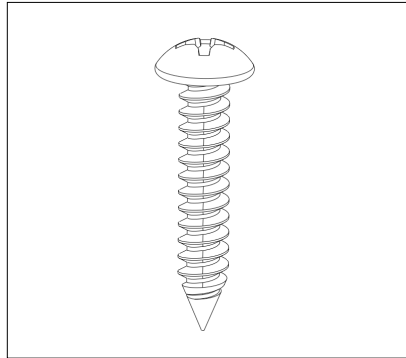
ENWORK

INSTALLATION GUIDE

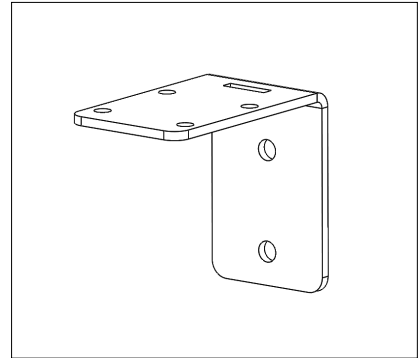
1) PARTS AND FASTENERS INCLUDED



1/4-20 x .5" Phillips Panhead Bolt

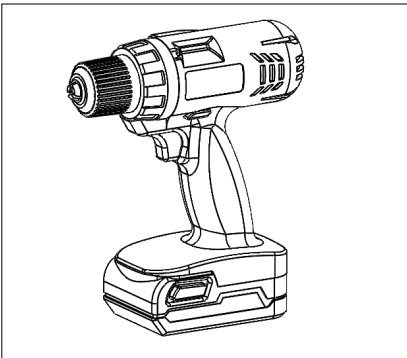


#10- 1" Square Drive Panhead Phillips

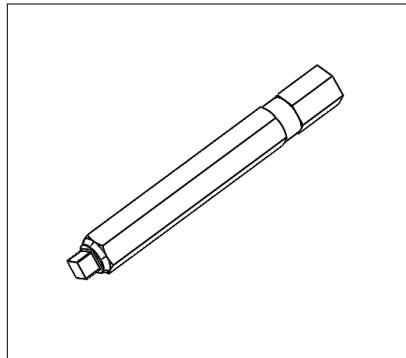


EM-1332

2) TOOLS AND SUPPLIES REQUIRED



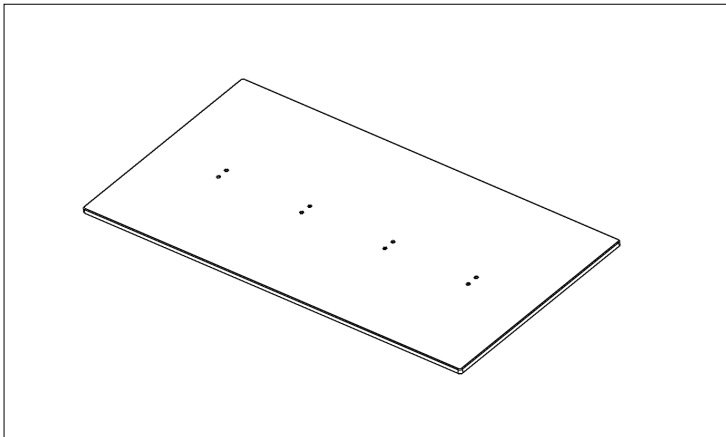
Drill



Square Driver Bit

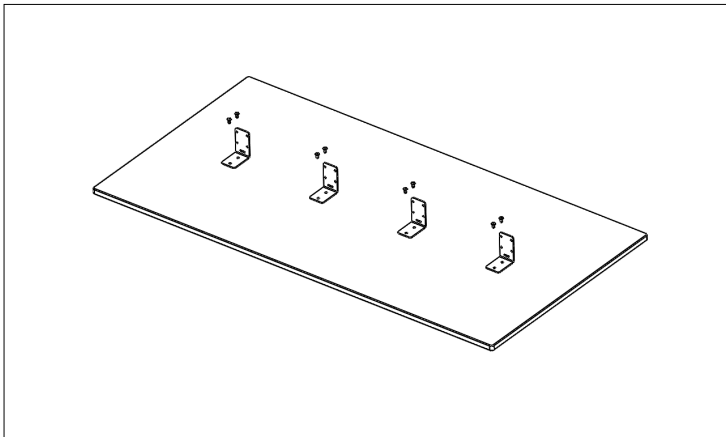
INSTALLATION GUIDE

3) ASSEMBLY: ALL-IN-ONE PRIVACY/MODESTY



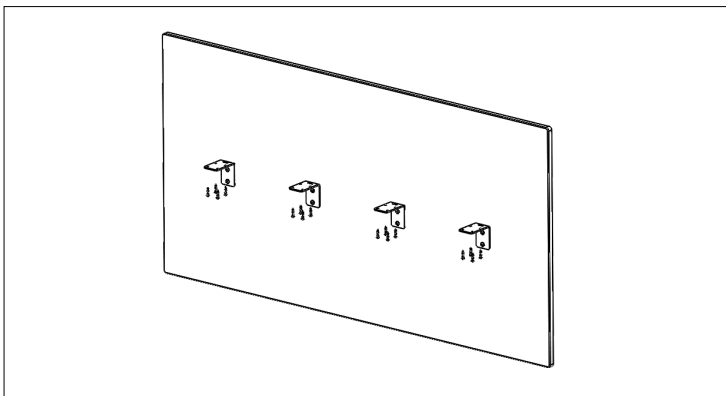
Place the Privacy/Modesty Panel on a flat surface.

FIGURE 1



Install the EM-1332 brackets with the .5" Panhead bolts.

FIGURE 2



Screw the entire assembly into the top using the #10-1" screws.

FIGURE 3

ENWORK

1.800.815.7251

www.enwork.com

12900 Christopher Dr. Lowell, MI 49331

Specifications subject to change without notice.

Rev 02.2020