

ENWORK

SAWHORSE TABLE
INSTALLATION GUIDE

CONFERENCE TABLES



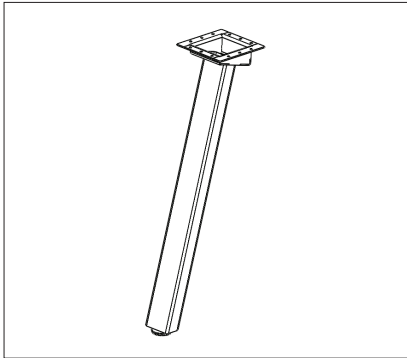
T I 0 0 3 4

Sawhorse Installation Instructions – Rev A.

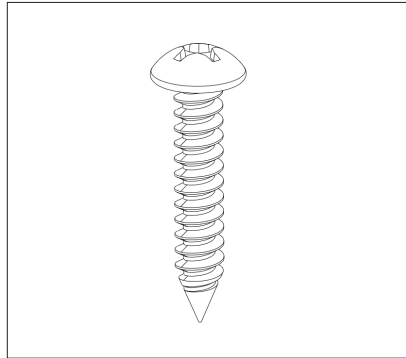
ENWORK

INSTALLATION GUIDE

1) PARTS AND FASTENERS INCLUDED

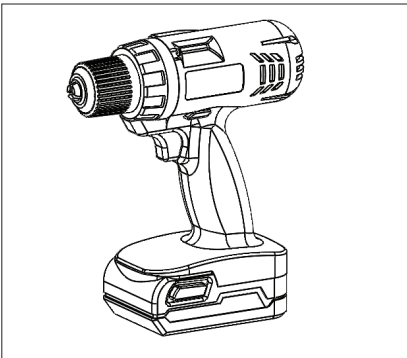


Sawhorse Legs

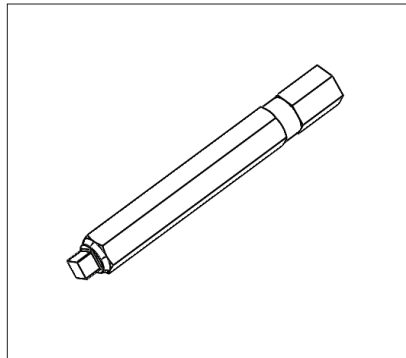


#10-Panhead Phillips

2) TOOLS AND SUPPLIES REQUIRED



Drill



Square Driver Bit

ENWORK

INSTALLATION GUIDE

3) ASSEMBLY: SAWHORSE LEG INSTALLATION

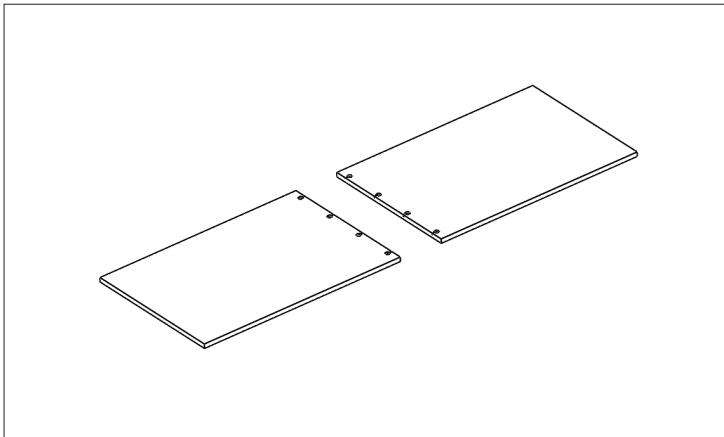


FIGURE 1

Lay your top upside down on the floor. You may need to lay down a protective material to protect the top.

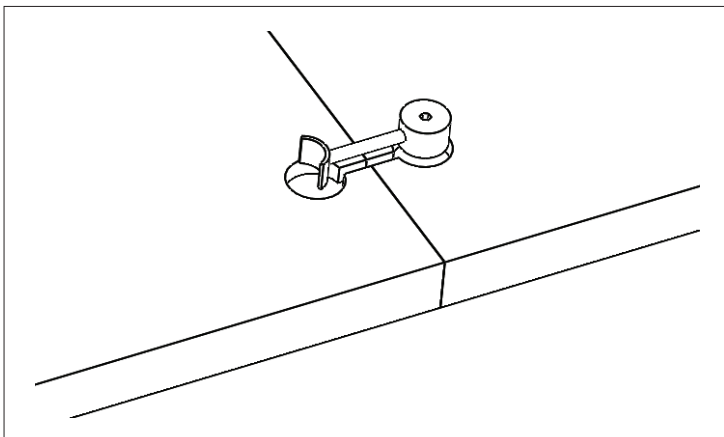


FIGURE 2

If the table is a multipiece top then the pieces will need to be attached with the Tite-Joint connectors provided. These can be tightened with a 5mm Allen head driver bit.

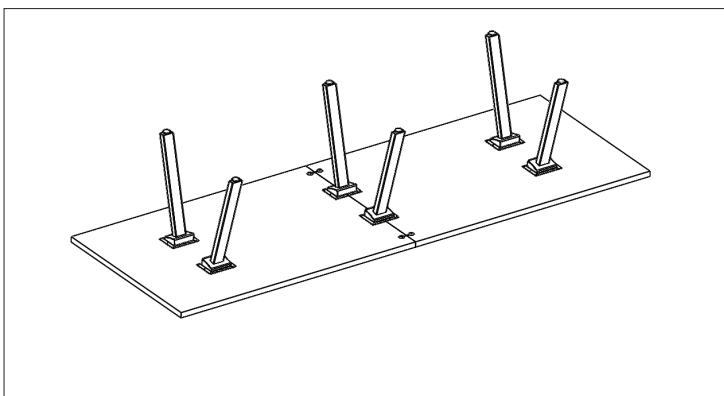


FIGURE 3

The top will have predrills for the leg screws, but these locations are merely recommendations.

Ensure the legs are less than 24" from the ends of the table and that there is less than 72" between each leg. The center legs should be centered over the seam.

Once each leg has been located on the top they can be screwed in using the #10 screws.

Flip the table upright and clean.

ENWORK

1.800.815.7251

www.enwork.com

12900 Christopher Dr. Lowell, MI 49331

Specifications subject to change without notice.

Rev 02.2020