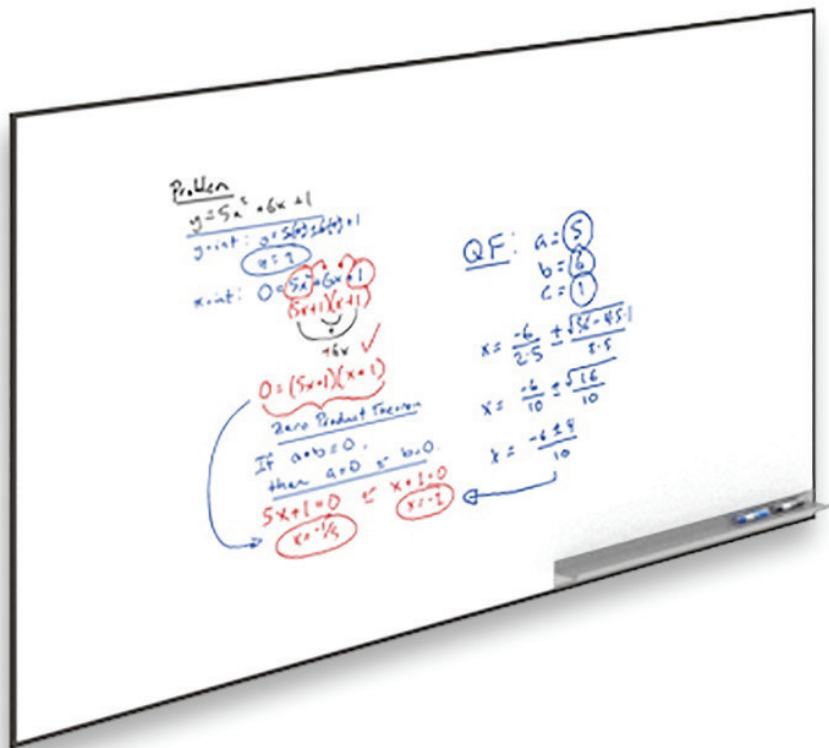


ENWORK

PERIMETER GLASS WHITEBOARD INSTALLATION INSTRUCTIONS

ACCESSORIES

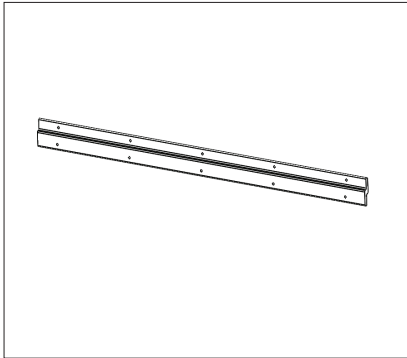


T I 0 0 3 3

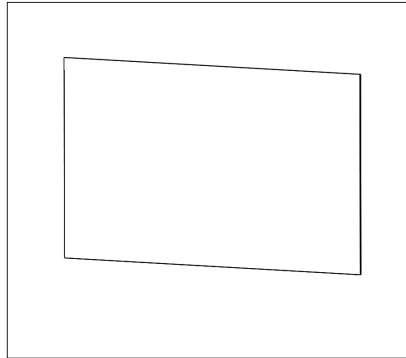
ENWORK

INSTALLATION GUIDE

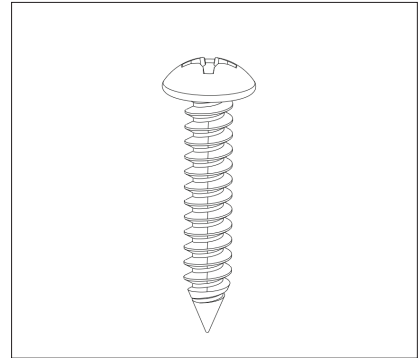
1) PARTS AND FASTENERS INCLUDED



Aluminum Cleat

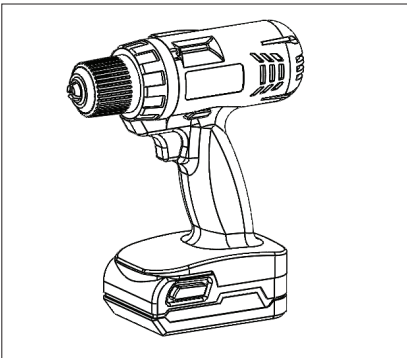


Glass Whiteboard

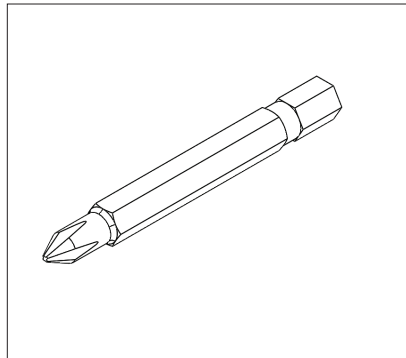


#10-1" Square Drive Panhead Screw

2) TOOLS AND SUPPLIES REQUIRED



Drill



Phillips Driver Bit

3) ASSEMBLY: PERIMETER GLASS WHITEBOARD

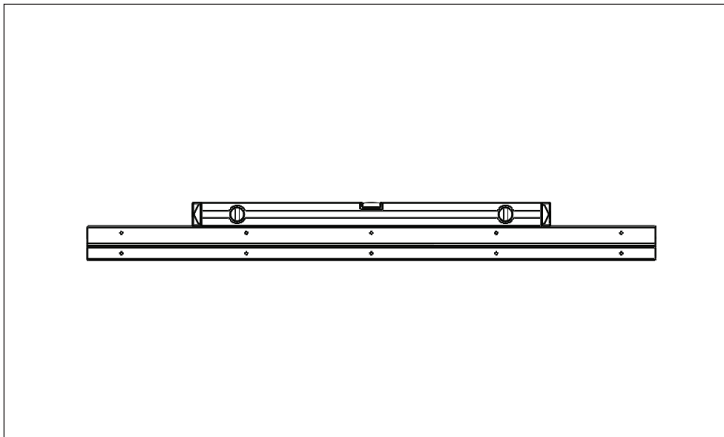


FIGURE 1

Note: Screw the cleat into the wall studs when available and use wall anchors when no stud is present. Failure to use a stud or an anchor can be dangerous.

Locate the cleat on the wall and use a level to adjust. Tape the cleat to the wall so that it cannot move. Then sink the remaining screws. (Figure 1)

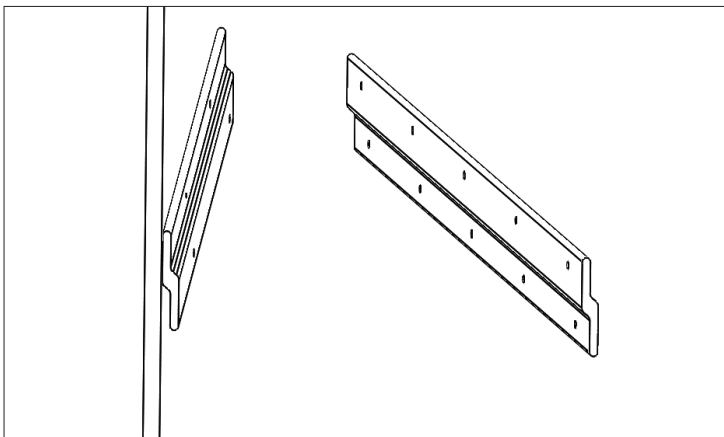


FIGURE 2

Mount the whiteboard against the wall by slotting the cleat on the back of the whiteboard onto the wall mounted one. (Figure 2-3)

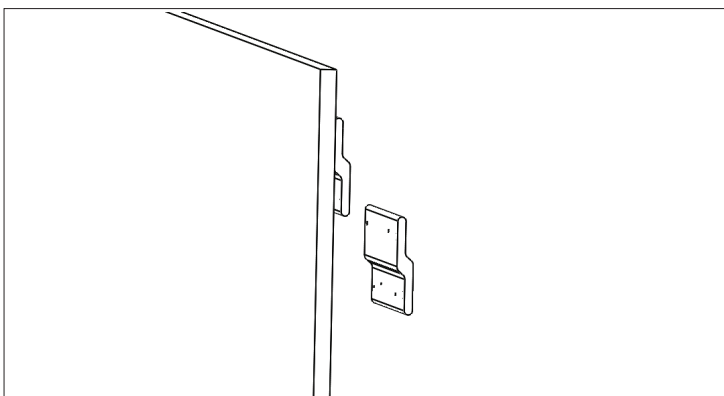


FIGURE 3

Ensure that the cleats are fully engaged without a gap.

ENWORK

1.800.815.7251

www.enwork.com

12900 Christopher Dr. Lowell, MI 49331

Specifications subject to change without notice.

Rev 02.2020