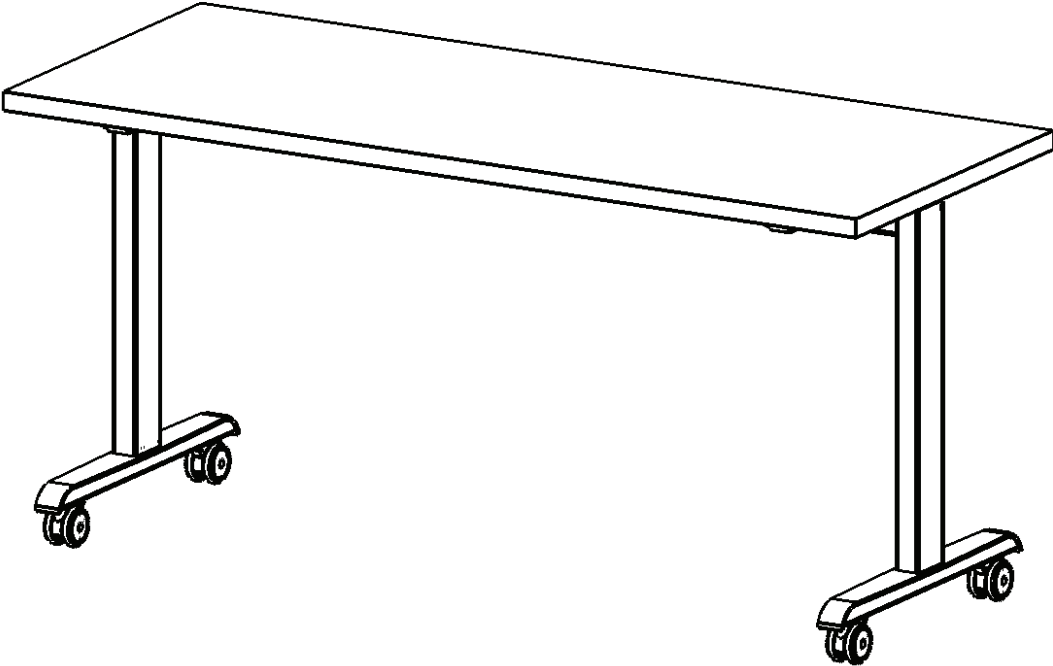


ENWORK

IMPRESSION FLIP TABLE  
INSTALLATION GUIDE

OPEN PLAN / BENCHING

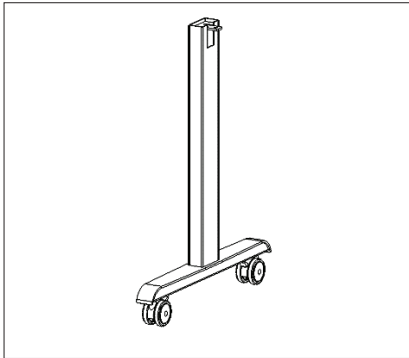


T I 0 0 2 5

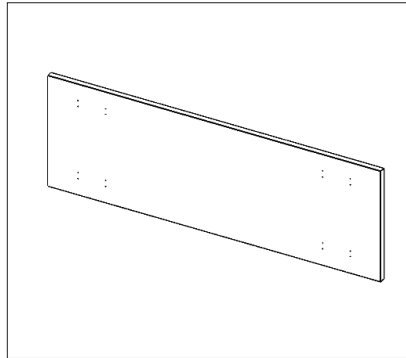
# ENWORK

## INSTALLATION GUIDE

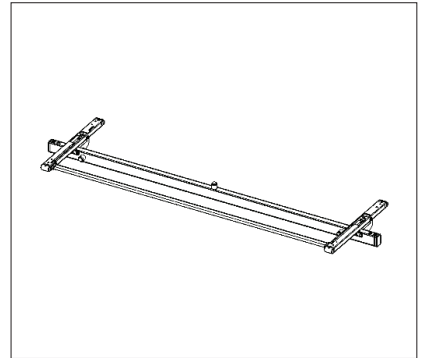
### 1) PARTS AND FASTENERS INCLUDED



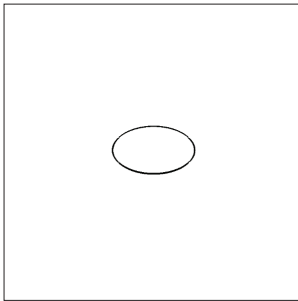
Leg Column (LCRSxxx)



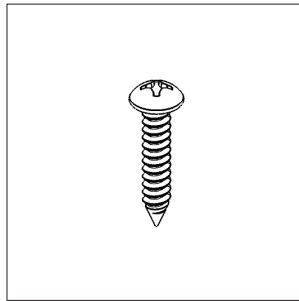
Worksurface (CRFxxxx)



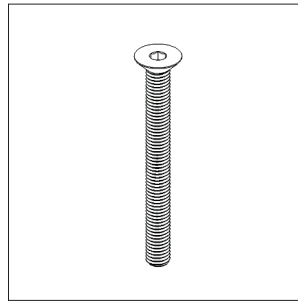
Frame Sub Assembly (RZNTxxxx)



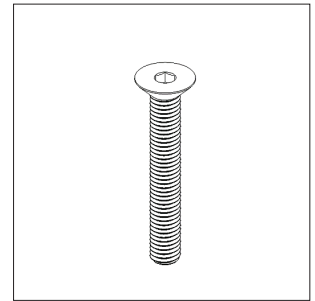
Cap Cover  
QTY: 8



#10 x 1.00" Wood Screw  
QTY: 8

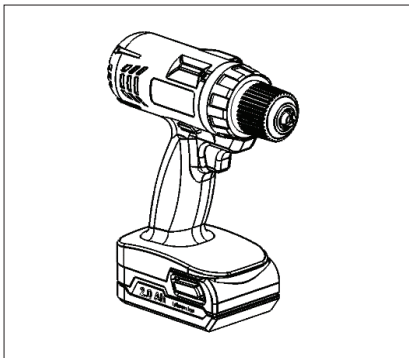


M8-1.25 x 70mm  
QTY: 2

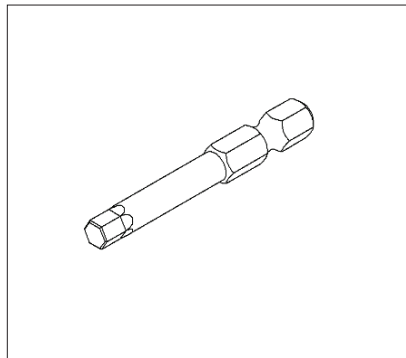


M8-1.25 x 55mm  
QTY: 2

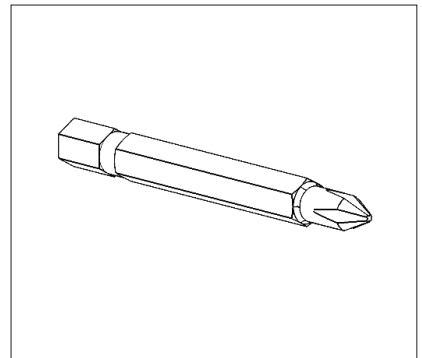
### 2) TOOLS AND SUPPLIES REQUIRED



Drill/Driver



5mm Hex Bit



#2 Phillips Bit  
(#2 Square Bit Optional)

# ENWORK

## INSTALLATION GUIDE

### 3) ASSEMBLY

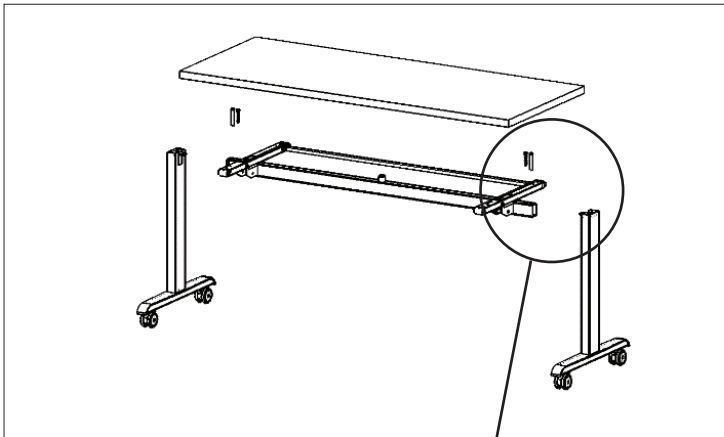


FIGURE 1

- Locate Leg Column, Frame and M8 x 70mm and M8 x 55mm Flat head bolts included in the hardware pack.

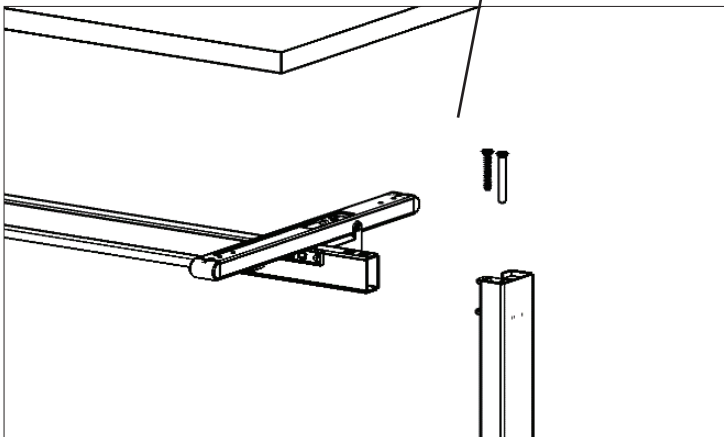


FIGURE 2

- Slide the beam of the Frame onto the Leg Column.
- Line up the clearance holes in the beam with the tapped holes in the Leg Column.
- Connect the legs to the frame using the M8 x 70mm and M8 x 55mm Flat head bolts. Verify that the M8 x 70mm bolt is used on the hole closest to the end of the beam.
- Repeat for the second leg.

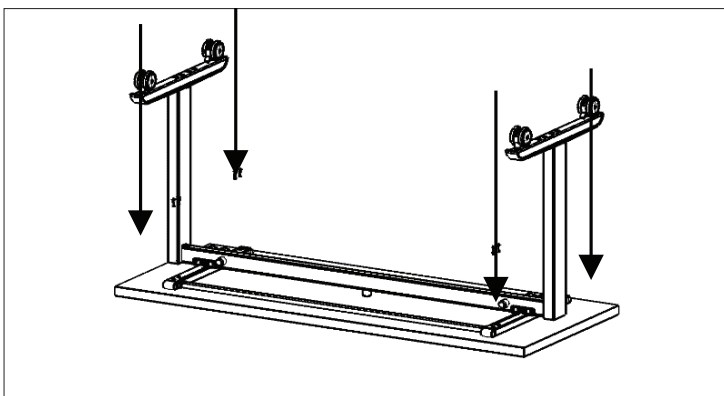


FIGURE 3

- Lay the Worksurface face down on a non-marring surface.
- Place the Frame and Leg Assembly on the Worksurface, locating it evenly spaced from the all sides of the table.
- Line up the holes in the Frame Assembly with the pre-drilled holes in the worksurface and attach using the included wood screws.
- Insert the included Cap Covers into the holes in the Frame Assembly to cover the screws.

### 4) COMPLETED TABLE

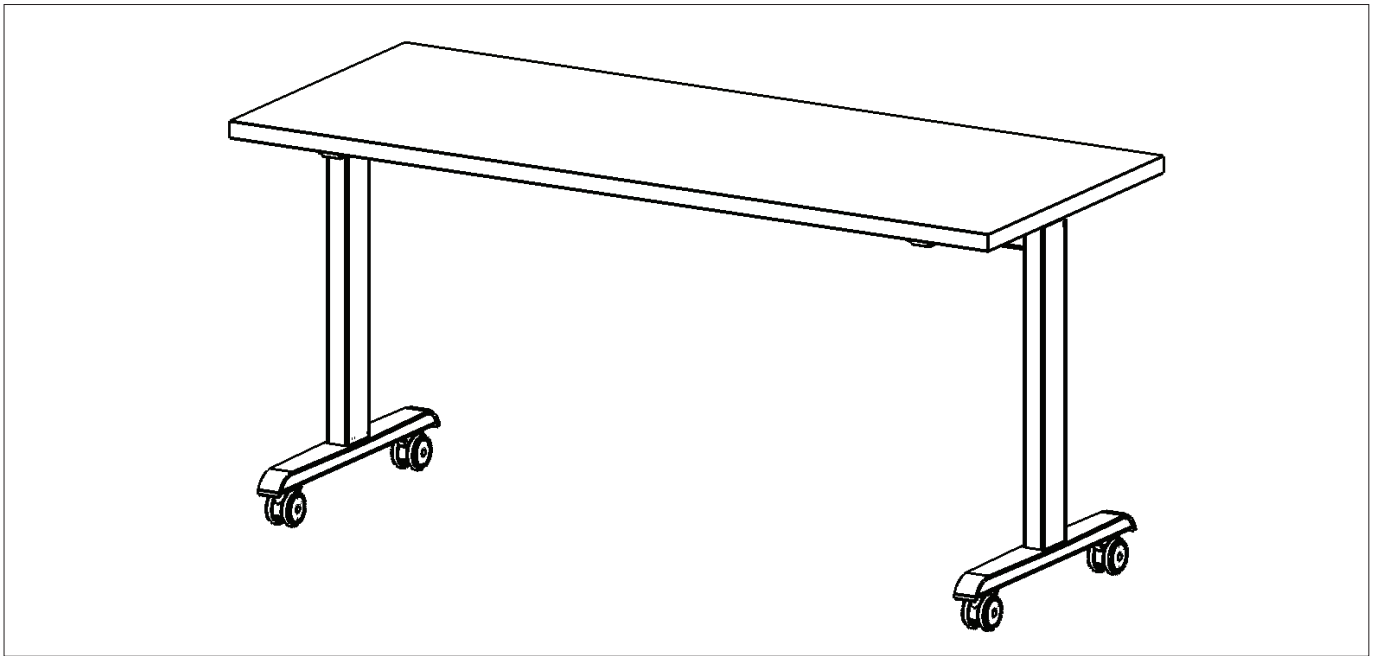


FIGURE 4

- Ensuring that the casters are locked, flip the table into the upright position.
- Using two hands, grab the release handle and verify that the flip mechanism functions properly.

ENWORK

1.800.815.7251

[www.enwork.com](http://www.enwork.com)

12900 Christopher Dr. Lowell, MI 49331

Specifications subject to change without notice.

Rev 01.2020