

ENWORK

STEALTH TWO BASE
INSTALLATION GUIDE

CONFERENCE TABLE



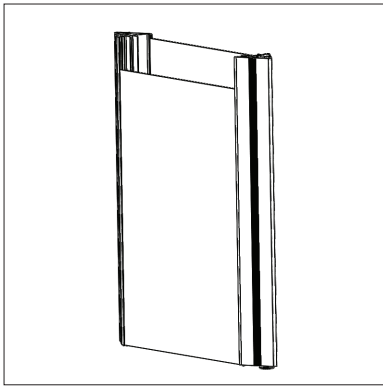
T I 0 0 0 9

Stealth Two Base Installation Guide – Rev B.

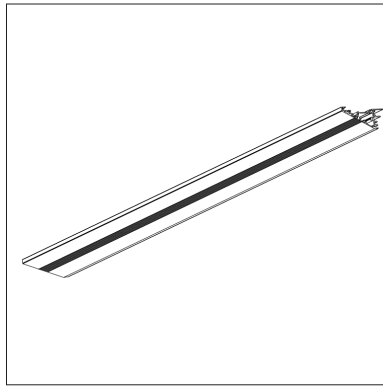
ENWORK

INSTALLATION GUIDE

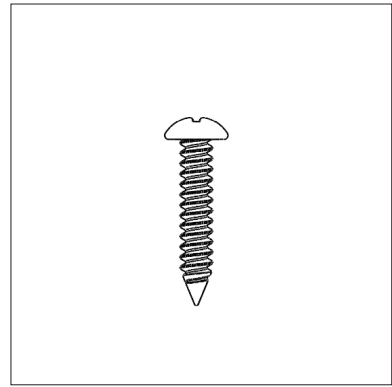
1) PARTS AND FASTENERS INCLUDED



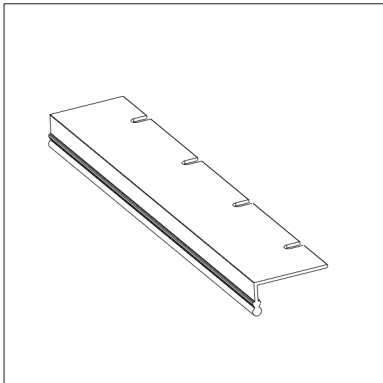
Leg



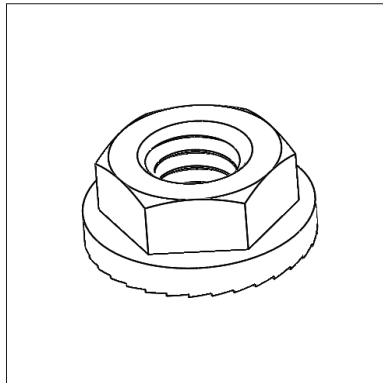
Beam



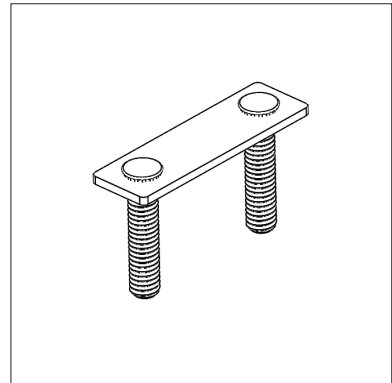
#10 x 1" Pan Head Phillips



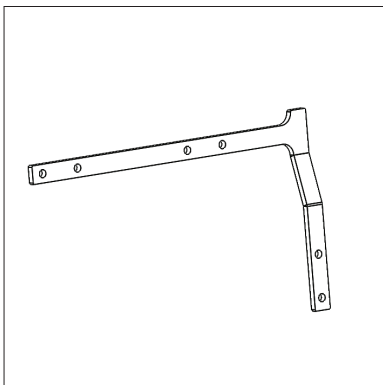
LYTS Bracket



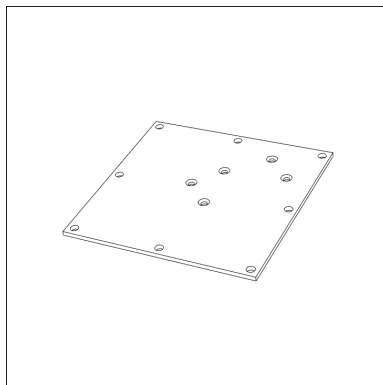
5/16-18 Flange Nuts



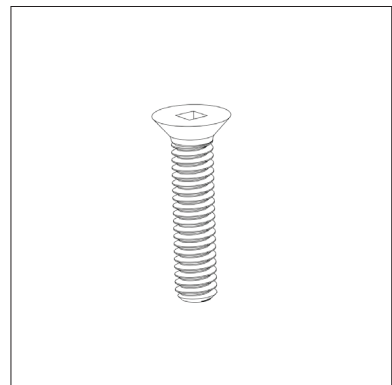
LY.MTP Plate



LY.ENGLEG Bracket



LPPLT Plate

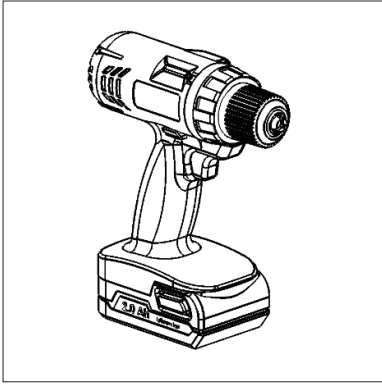


#8-32 x .75 Flathead Screw

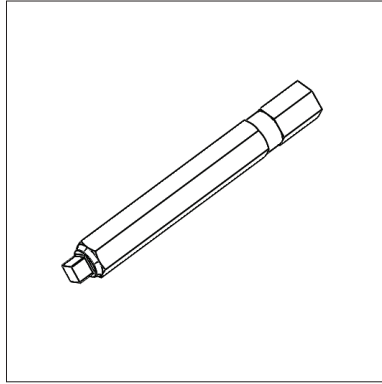
ENWORK

INSTALLATION GUIDE

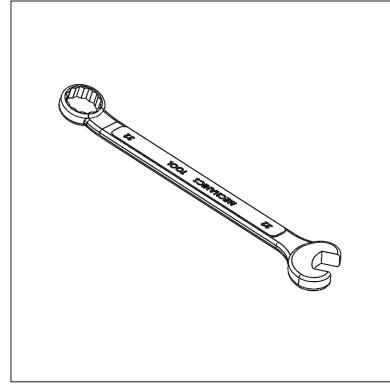
2) TOOLS AND SUPPLIES REQUIRED



Powerdrill



#2 Square Bit



1/2" Wrench

ENWORK

INSTALLATION GUIDE

3) ASSEMBLY:

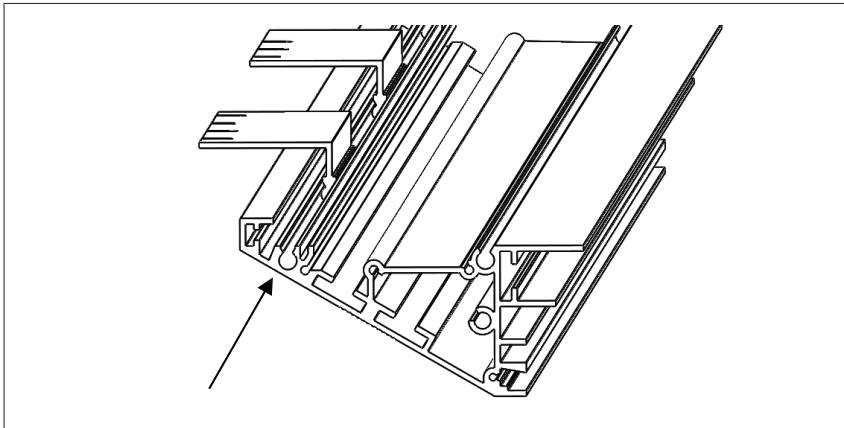


FIGURE 1

Slide the LYTS's equidistant onto the beams. Depending on the size of the table each Beam may get 1-3 LYTS's. See Figure 1 for proper slot on the Beam.

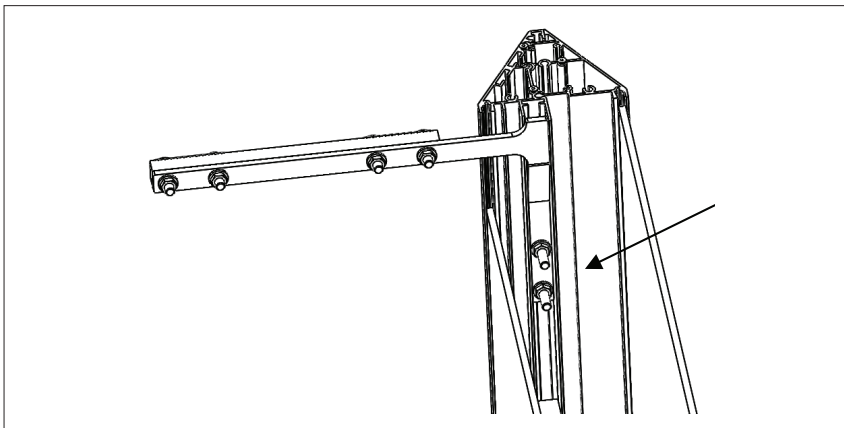


FIGURE 2

The LY.ENDLEG's can be attached to the Leg using the 5/16-18 Nuts and the preinstalled LY.MTP's on the Leg. When finished it should look like Figure 2.

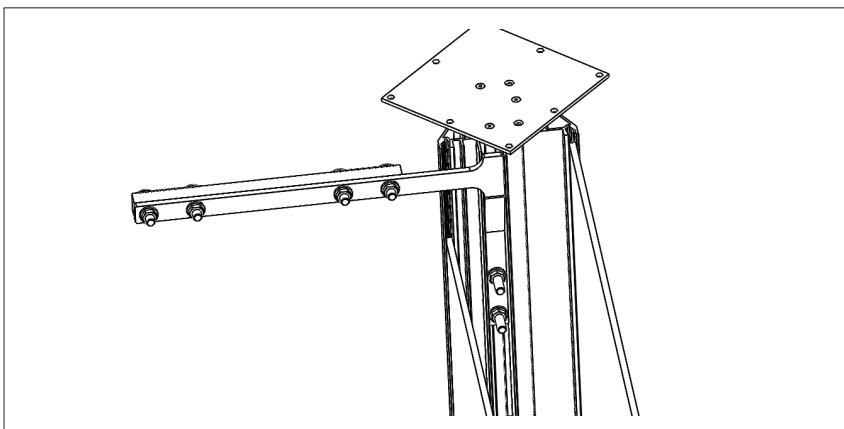


FIGURE 3

Install the LPPLT plates using the #8-32 x .75 screws.

ENWORK

INSTALLATION GUIDE

3) ASSEMBLY:

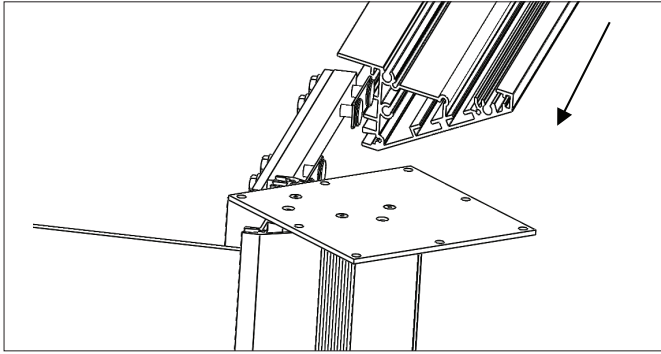


FIGURE 4

Once the LY.ENDLEG's are installed the Beams can be slotted onto the LY.MTP's on the LY.ENDLEG's. The LY.MTP should fit neatly into the slot on the beams as shown in Figure 4.

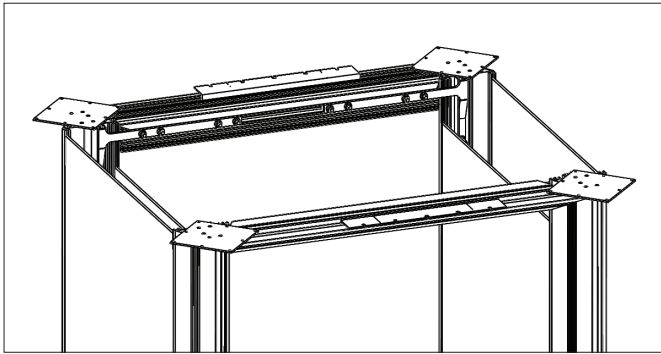


FIGURE 5

Repeat Step 3 until the base is completely assembled. See Figure 5.

Loosen and adjust the $\frac{5}{16}$ -18 nuts and LY.MTP's to ensure proper alignment.

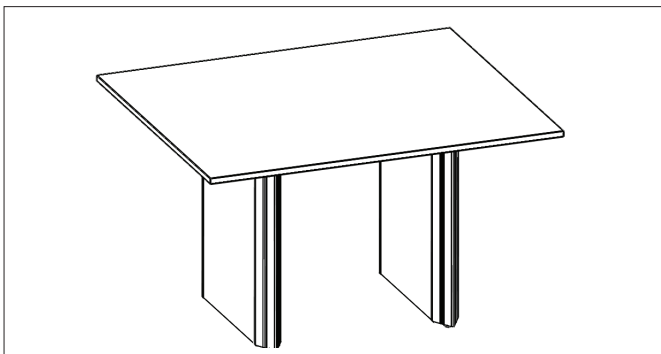


FIGURE 6

Once the complete table base is assembled place the table top onto it and use the provided #10 screws to securely attach the top to the base. See Figure 6.

Place the table top onto the completed table base and attach the two together using the provided #10 x 1" screws.

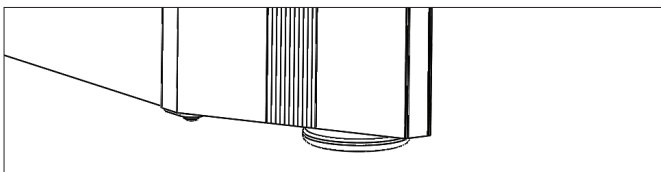


FIGURE 7

Level the table by threading the glides in and out. See Figure 7.

ENWORK

1.800.815.7251

www.enwork.com

12900 Christopher Dr. Lowell, MI 49331

Specifications subject to change without notice.

Rev 02.2020