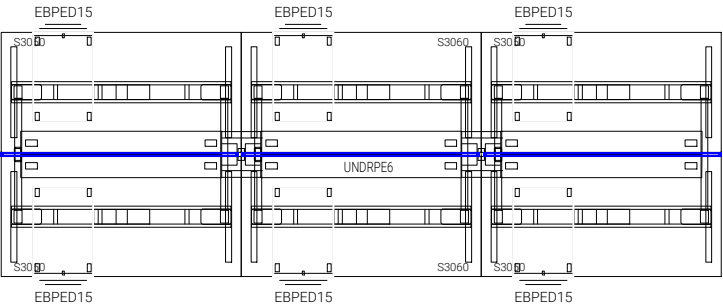


NOTES:

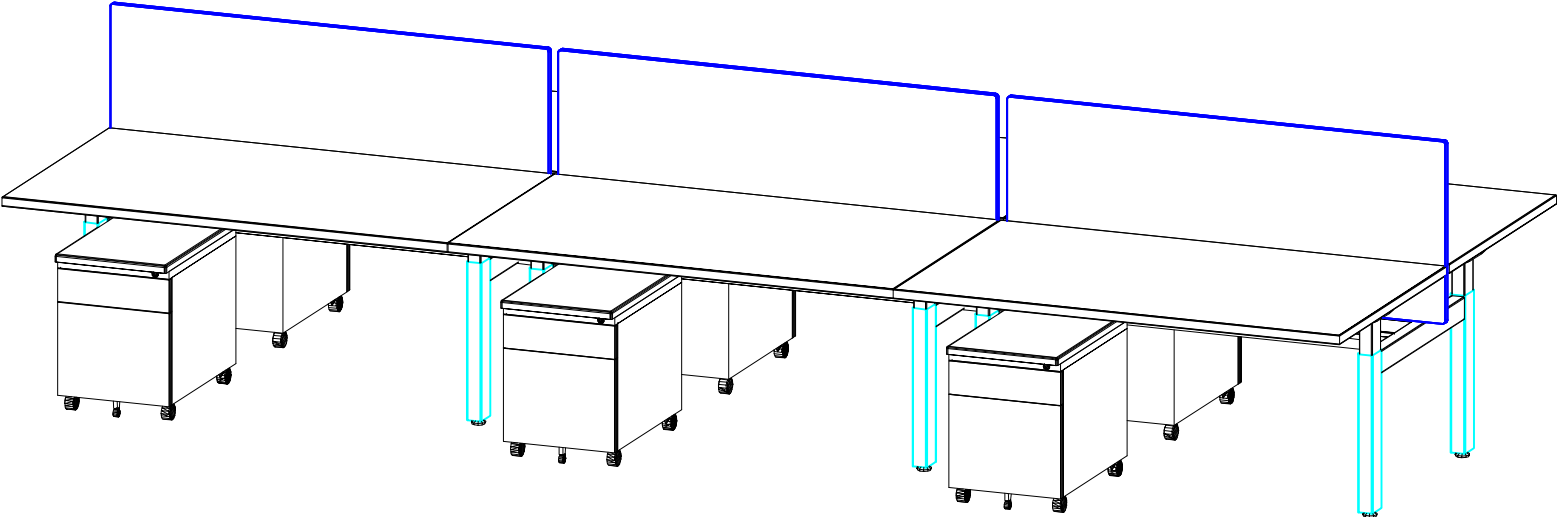
- DRAWING IS A VISUAL REPRESENTATION ILLUSTRATING DESIGN INTENT. DETAILS MAY VARY INCLUDING LOCATION OF POWER/DATA UNITS AND BASES.
- NO MORE THAN 4 STATIONS PER CIRCUIT

Drawn By: EMB
Date: 6/3/19

Quote#: V.15



PLAN VIEW
Scale: 1/4" = 1'-0"



ISOMETRIC VIEW
Scale: Not to Scale

Project Name:
Typical - T19A

ENWORK