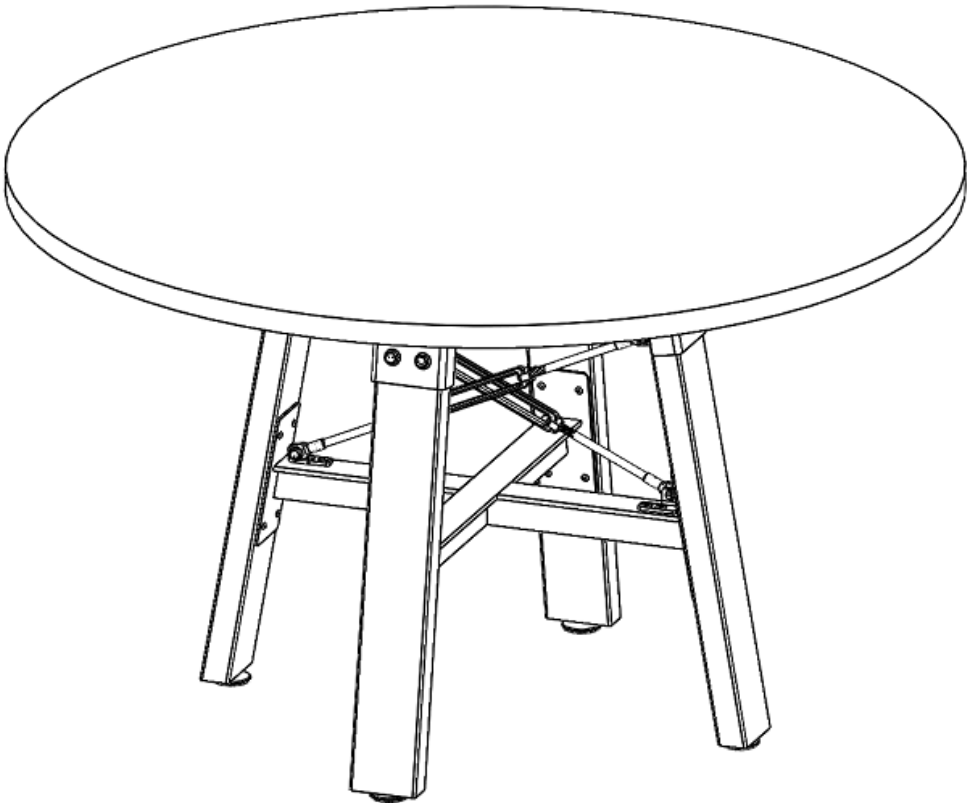


ENWORK

ADVENTURE ROUND AND SQUARE
TOPS INSTALLATION GUIDE

TEAM TABLE



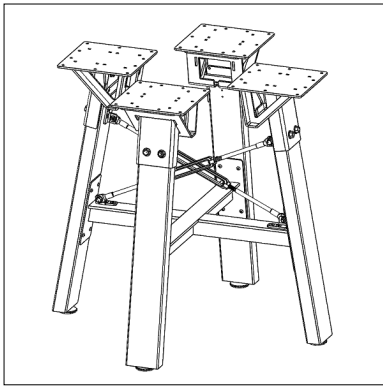
NE0005

Rev B. 9.25.20

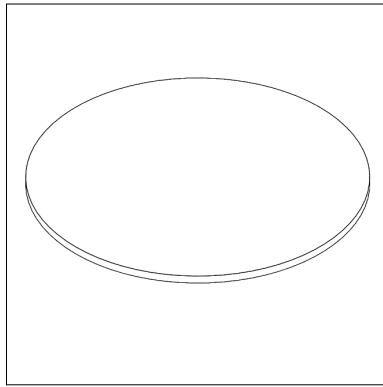
ENWORK

INSTALLATION GUIDE

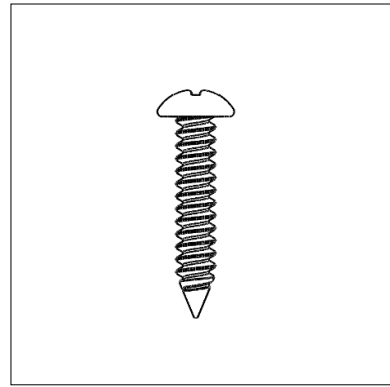
1) PARTS AND FASTENERS INCLUDED



Base

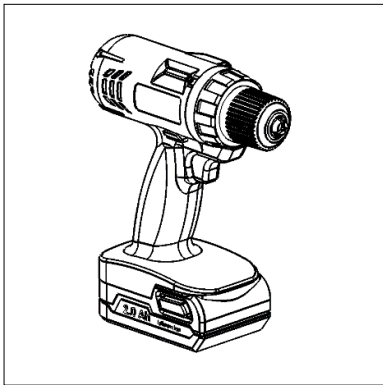


Top

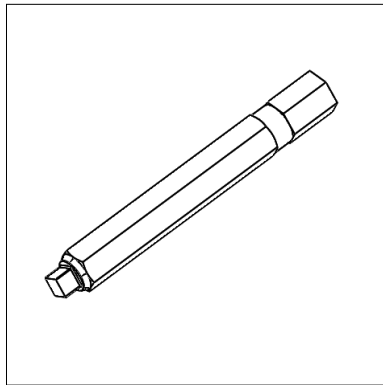


#10 x 1, 1/4" Pan Head Phillips

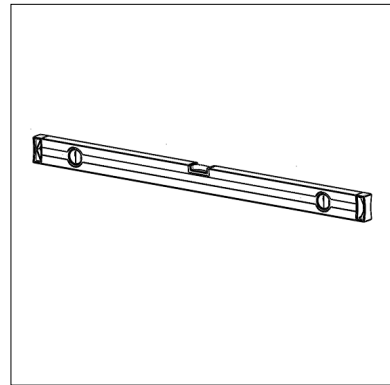
2) TOOLS AND SUPPLIES REQUIRED



Drill/Screwdriver



Square Bit



Level

ENWORK

INSTALLATION GUIDE

3) ASSEMBLY

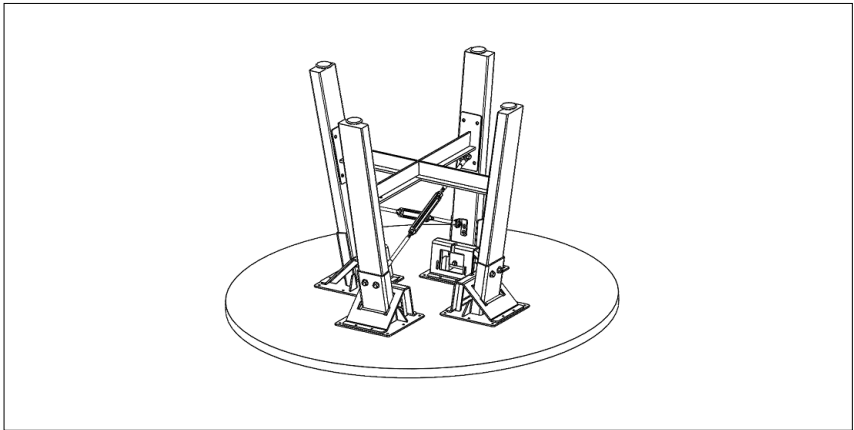


FIGURE 1

Position the base on the top.

Note: Make sure the top does not get damaged by laying it on a carpet or blanketed floor

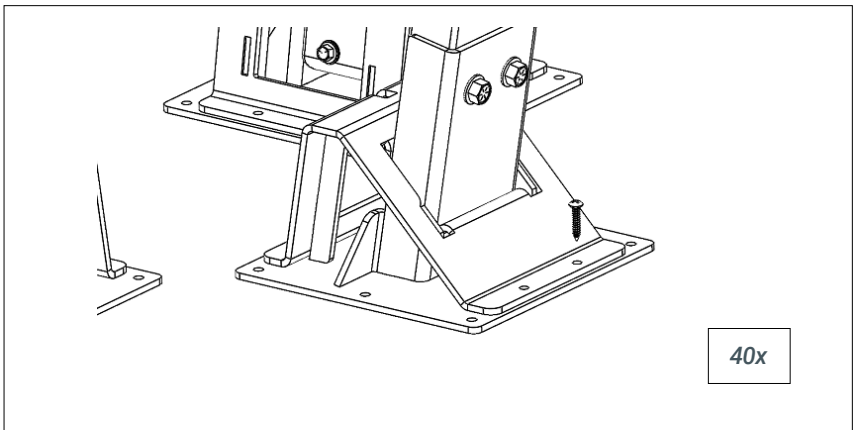


FIGURE 2

Secure the base to the top with the screws provided.

Note: There may or may not be pilot holes provided in the top.

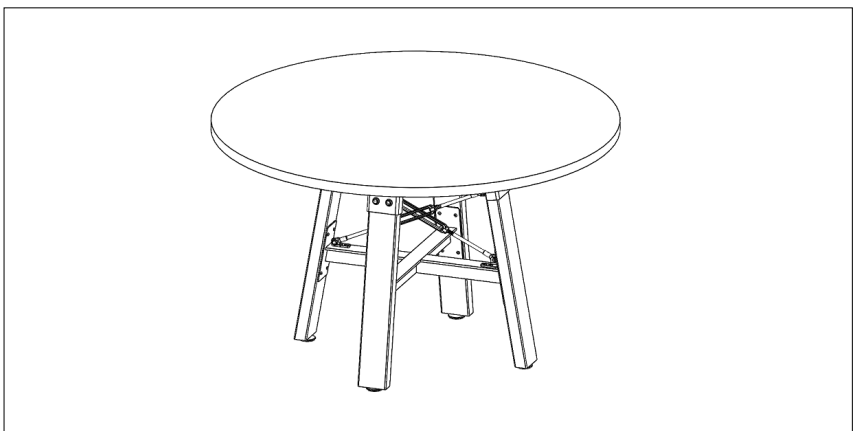


FIGURE 3

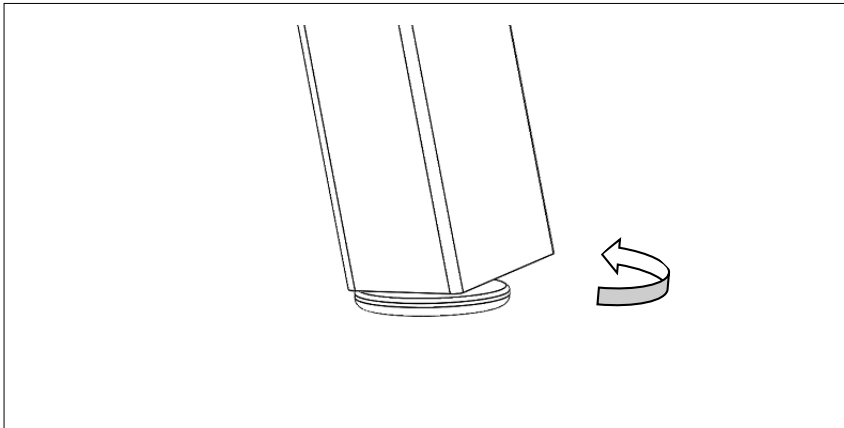
Flip the table in the upright position.

Note: Depending on the size of the table, 2+ persons is recommended.

ENWORK

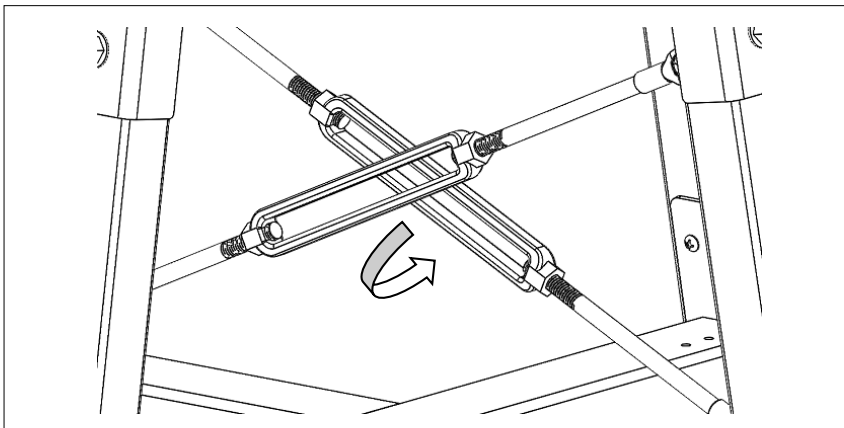
INSTALLATION GUIDE

3) ASSEMBLY



Rotate the glides as needed to achieve a level top surface.

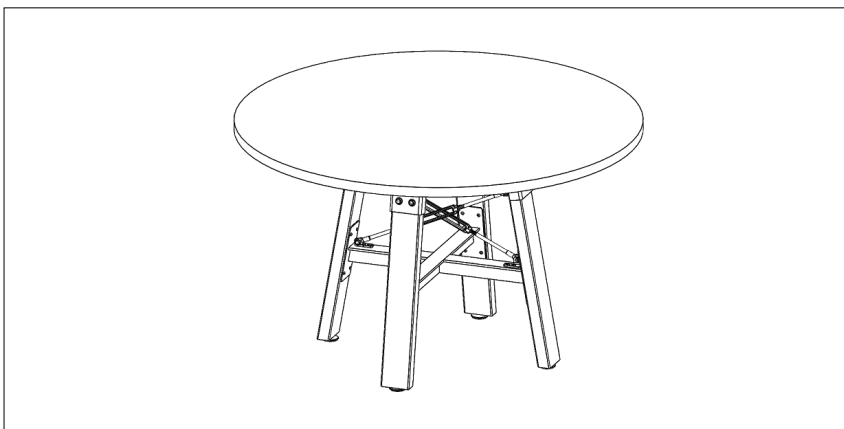
FIGURE 4



Rotate the turnbuckles $\frac{1}{2}$ turn left or right to secure the tension in the table.

Note: Do not overtighten as this causes unnecessary stress on the leg joints.

FIGURE 5



Enjoy!

FIGURE 6

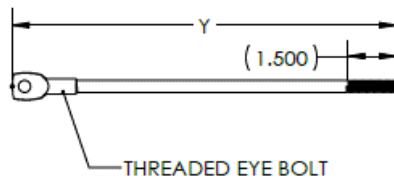
ENWORK

INSTALLATION GUIDE

3) ASSEMBLY: THREADED RODS - LENGTHS FOR EACH TABLE

Adventure Seated Height Round Tables				
Top Radius	Left Hand Y Length (in.)	Left Hand Thread Part Number	Right Hand Y Length (in.)	Right Hand Thread Part Number
48	7.75	NEM-2367-48SL	7.75	NEM-2368-48SL
66	16.50	NEM-2367-66SL	16.50	NEM-2368-66SL

Adventure Standing Round Tables				
Top Radius	Left Hand Y Length (in.)	Left Hand Thread Part Number	Right Hand Y Length (in.)	Right Hand Thread Part Number
36	14.00	NEM-2367-36BL	9.25	NEM-2368-36BL
48	15.25	NEM-2367-48BL	10.75	NEM-2368-48BL



ENWORK

1.800.815.7251

www.enwork.com

12900 Christopher Dr. Lowell, MI 49331

Specifications subject to change without notice.

Rev 09.2021