

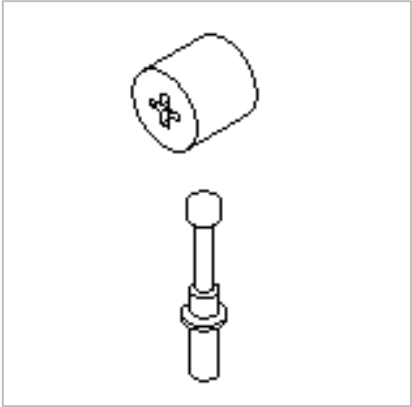
# Landing

Landing Team Table (Solid Surface/Quartz) Installation Instruction

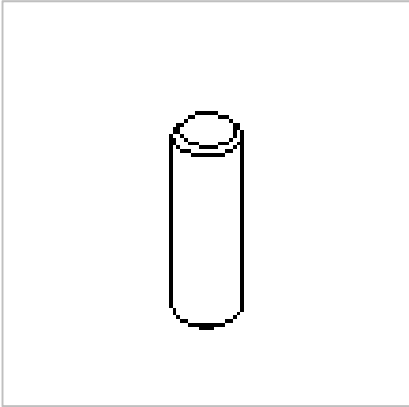


Installation Instructions

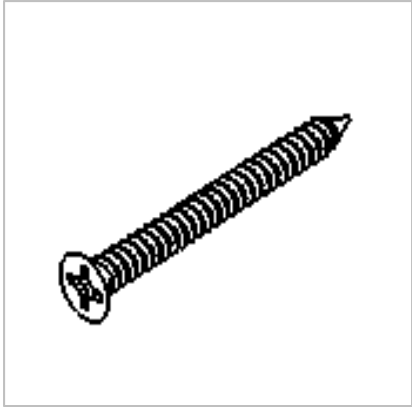
# 1) Parts and Fasteners Included



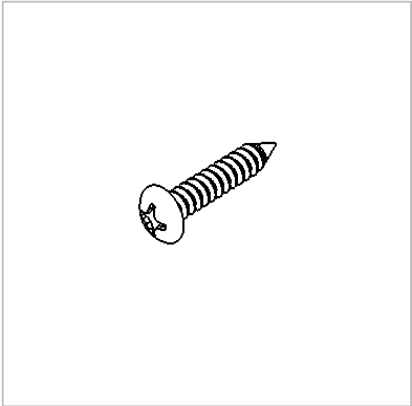
24mm Cam Dowel



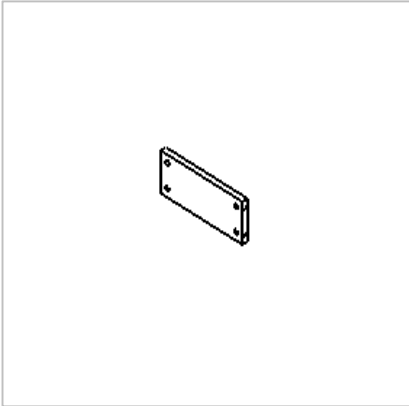
8mm x 1in Dowel Pins



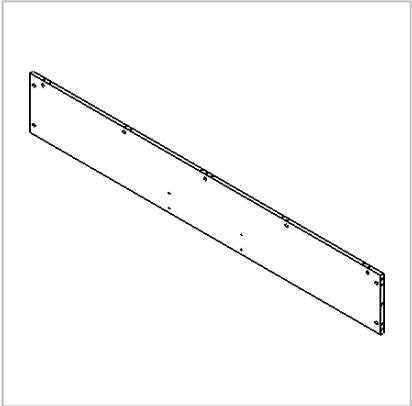
#10 x 2 Phillips Screw



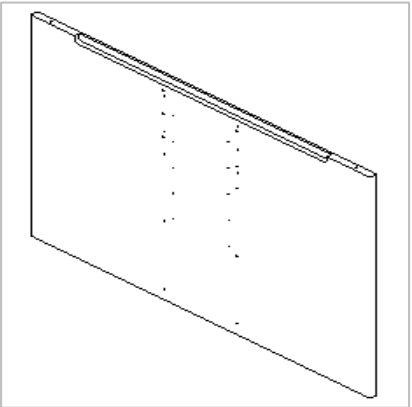
#10 x 1 Phillips Screw



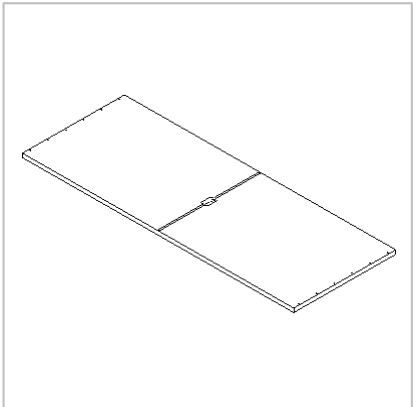
Keel Block



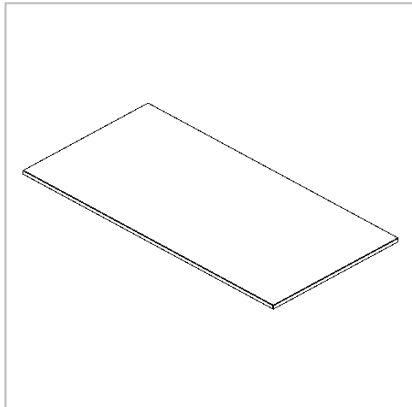
Keel



End Panel

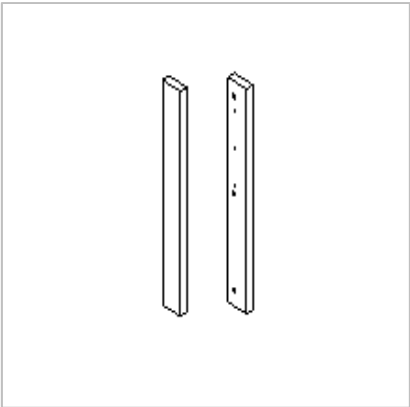


Sub Top

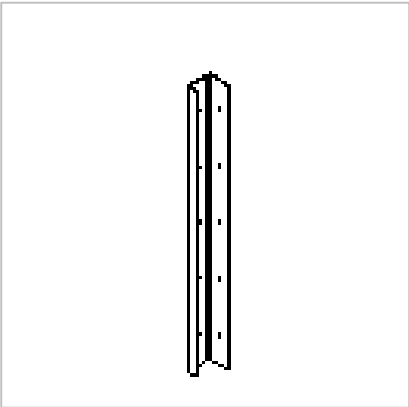


Top Surface

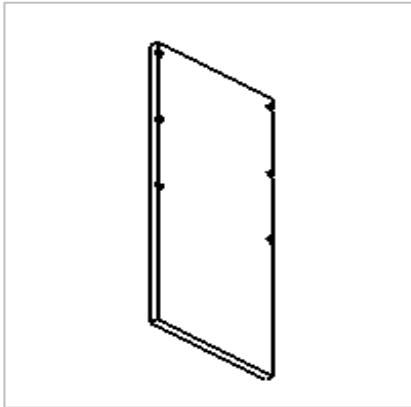
# 1) Parts and Fasteners Included



Wire Chase (Left & Right)



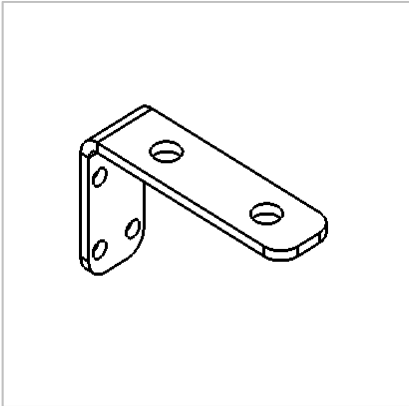
Angle Bracket



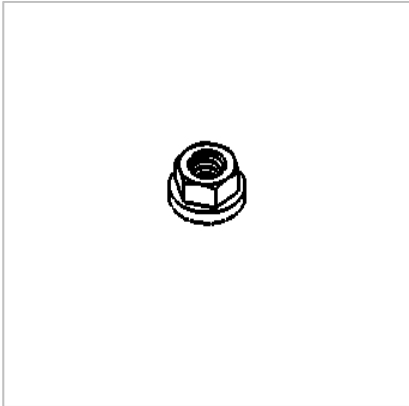
Wire Chase Door Panel

# 1) Parts and Fasteners Included

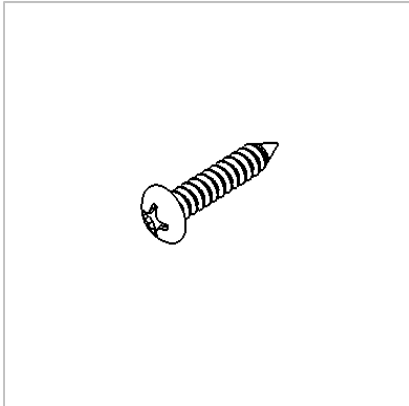
## Optional Foot Bar Parts



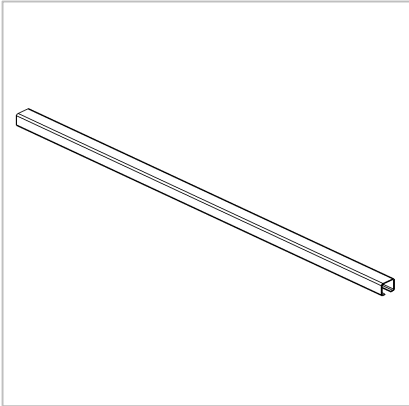
Angle Bracket



5/16 Flange Nut

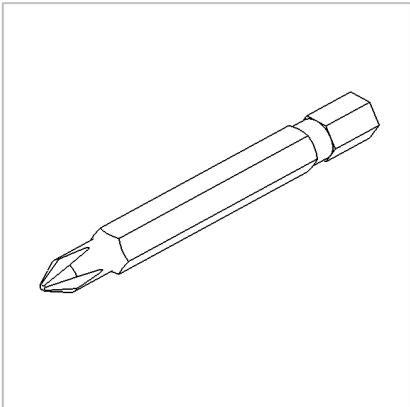


#10 x 1 Phillips Screw

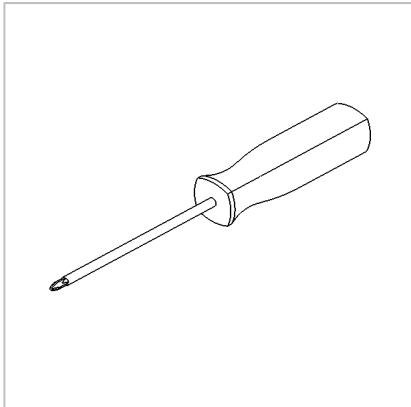


Foot Bar Weldment

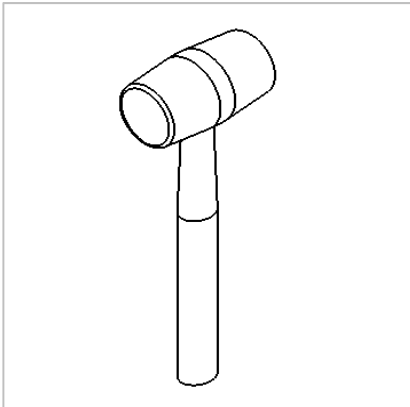
## 2) Tools and Supplies Required



Phillips Drive



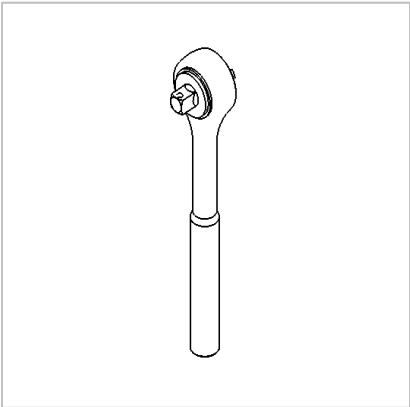
Phillips Head Screw Driver



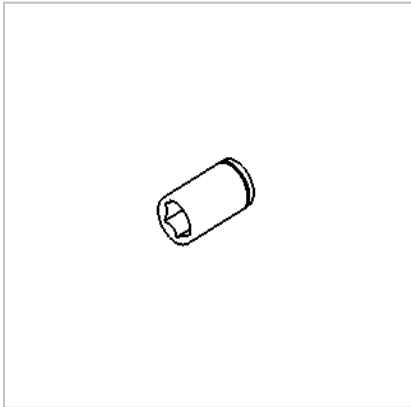
Rubber Mallet



Cordless Drill



Ratchet



5/16 Deep Socket

### 4) Assembly: Keel Sub Assembly

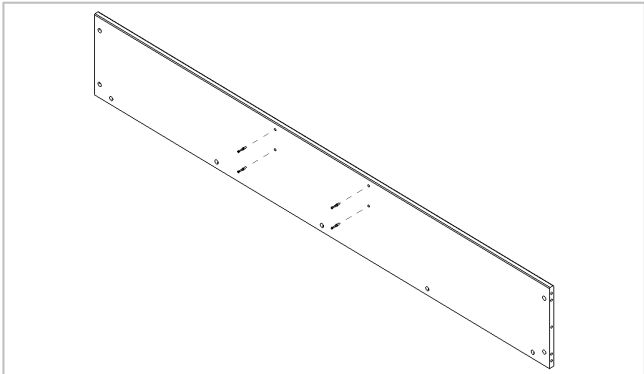


Fig. 1

Fig. 1 Install (4) Cam Dowels Pins into the (4) centrally located 5mm pre drilled holes on the Keel. Repeat for second Keel.

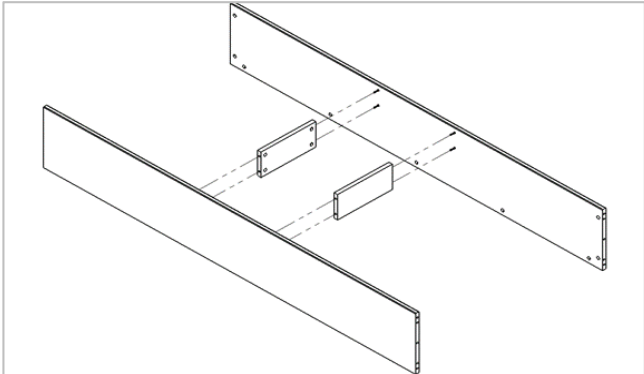


Fig. 2

Fig. 2 Assemble Keel Block and Keels. Keel Blocks should be assembled with the Cam Dowel surfaces facing each other(as shown).

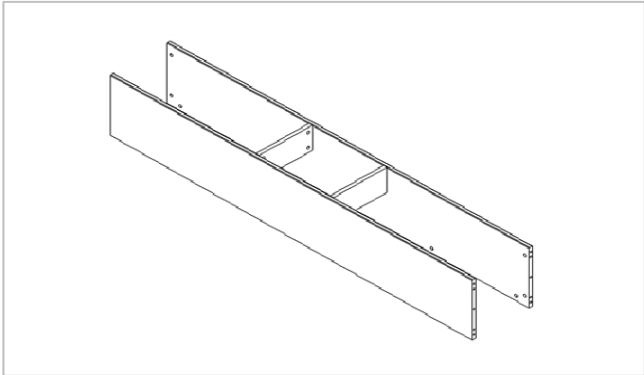


Fig. 3

Fig.3 Assembly should be placed as shown (Edge band side up)

## 4) Assembly: Base Sub Assembly

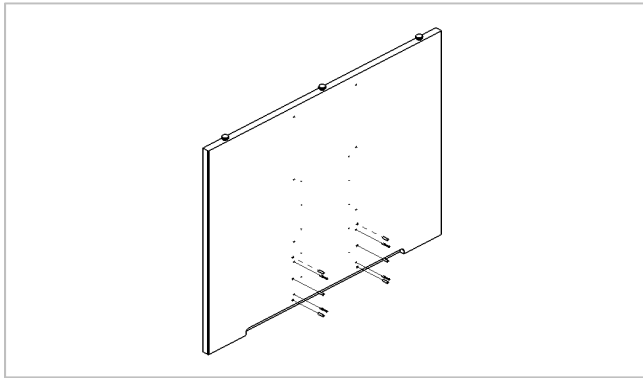


Fig. 4

Fig. 4 Install (4) Cam Dowel Pins & (6) 8mm Dowel Pins into (10) centrally located pre drilled holes on the End Panel. Repeat for second End Panel.

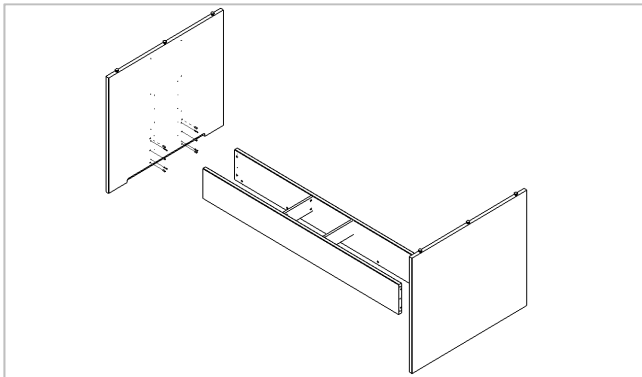


Fig. 5

Fig. 5 Align the Cam Dowels and Dowel Pins and assemble the (2) End Panels and the Keel Sub Assembly.

Assemble with End Panel Glides up (as shown).

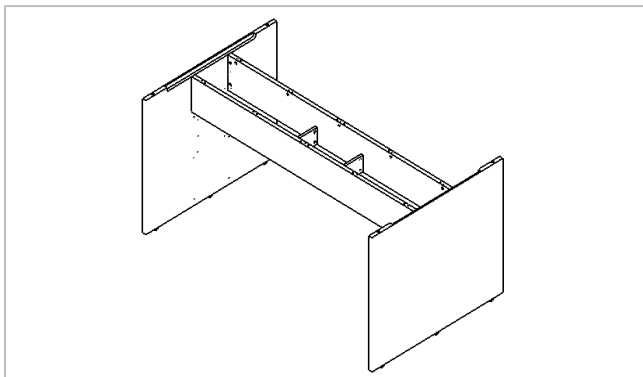


Fig. 6

Fig. 6 Ensure all Cam Dowels are tight and flip the entire Base Sub Assembly into an upright position (End Panel Glides down). Be careful not to damage End Panel edges and corners.

### 4) Assembly: Top Assembly

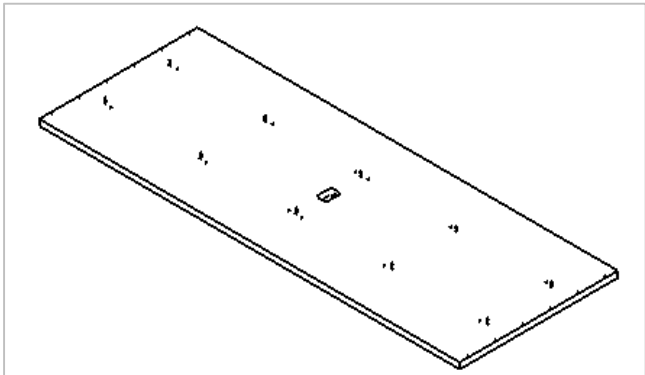


Fig. 7

Fig. 7 Insert the 8mm Cam Dowels Pins into the 5mm pre-drilled holes on the Sub Top (bottom surface shown).

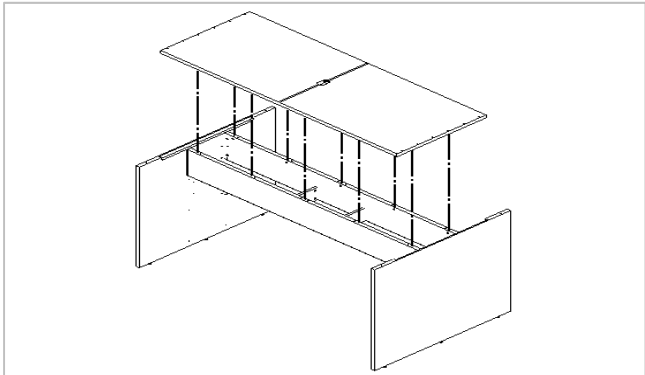


Fig.8

Fig. 8. Align the Cam Dowels Pins and Cams and assemble the Sub Top to the Base Sub Assembly. Cam the Sub Top and the Base Sub Assembly together.

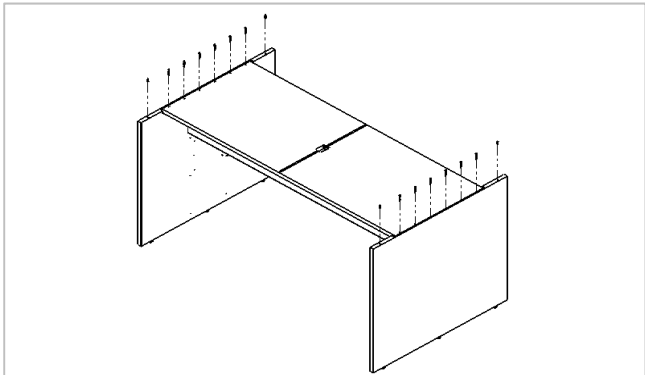


Fig. 9

Fig. 9 Secure Sub Top to End Panels with #10 x 2 Phillips Screws using pre-drilled holes.

Insert (4)8mm x 1 Dowel Pins into the End panels.



## 4) Assembly: Top Assembly

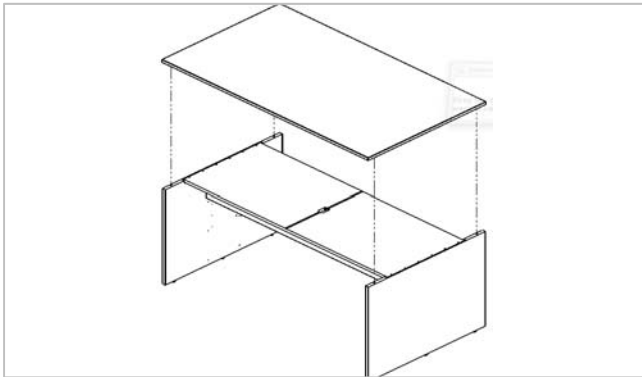


Fig. 10

Fig. 10 Align the Top Surface with the 8mm Dowel Pins and install the Top Surface.

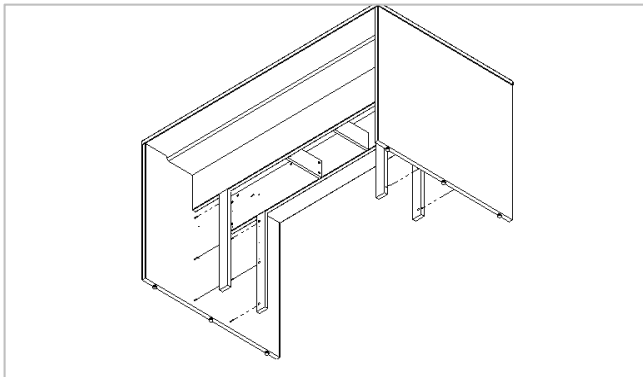


Fig. 11

Fig. 11 Insert Cam Dowel Pins into the 5mm pre-drilled holes on the End Panels. Align the Cam Dowel Pins and Cams and assemble the Wire Chase Side Panels.

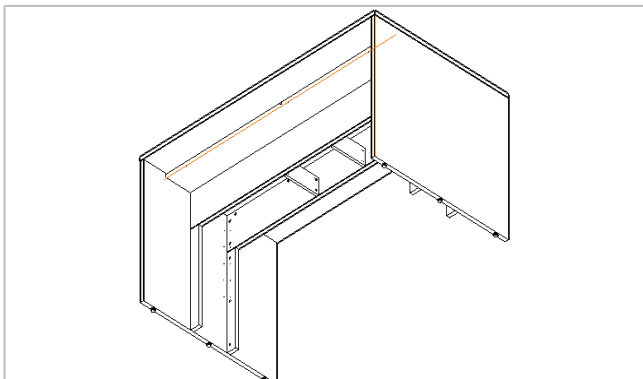


Fig. 12

Fig. 12 Cam the Sub Top and the Base Sub Assembly together

### 4) Assembly: Top Assembly

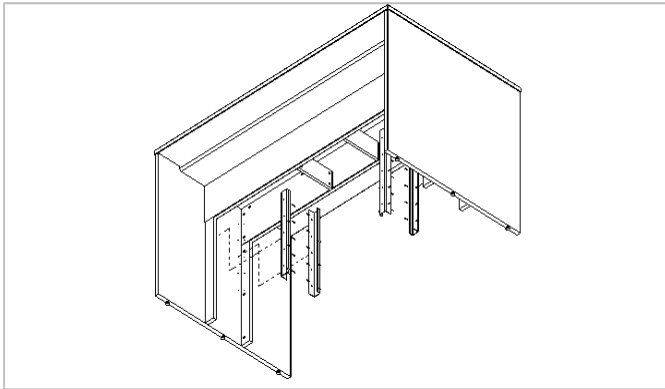


Fig. 13

Fig. 13 Install the Angel Brackets to the End Panels and Wire Chases using the 1/8in pre drilled holes. Secure using #10 x 1 Phillips Screw

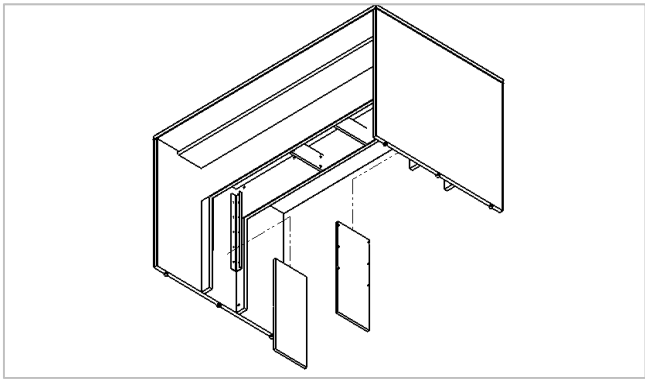


Fig.14

Fig. 14 Install Wire Chase Door Panels

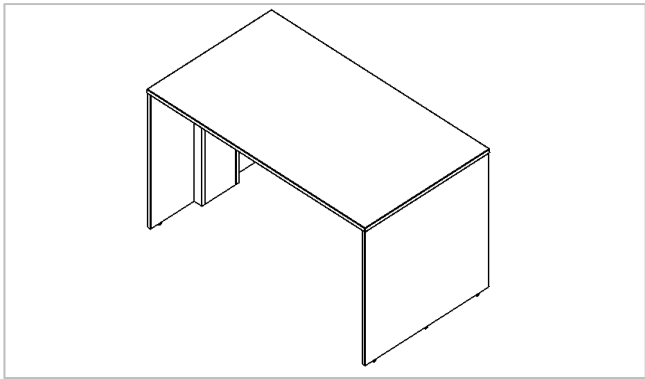


Fig.15

Fig. 15 Level the Landing Table using the End Panel Levelers.

### 4) Assembly: Optional Foot Bar Assembly

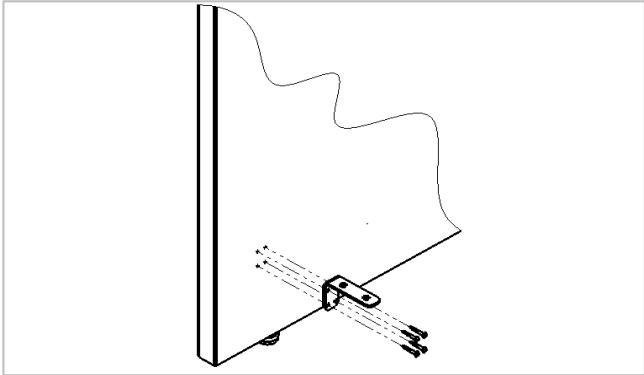


Fig. 16

Fig. 16 Attach Angle Bracket to End Panel with (4) #10 x 1 Phillips Screws using 1/8in predrilled holes. Repeat for opposite End Panel.

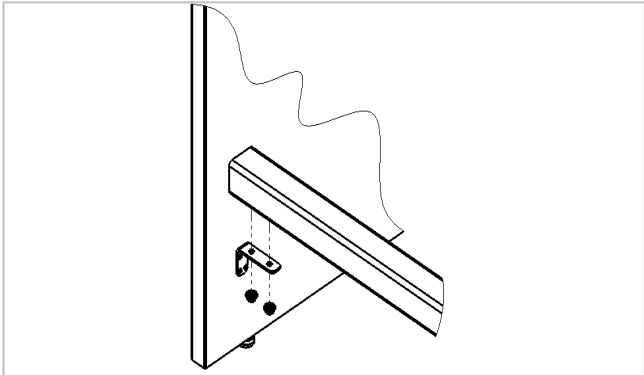


Fig. 17

Fig. 17 Attach foot Bar Weldment using (2) 5/16 Flange Nuts. Repeat for opposite End Panel

# ENWORK

12900 Christopher Drive Lowell, MI 49331  
800.815.7251 [www.enwork.com](http://www.enwork.com)

Specifications subject to change without notice.