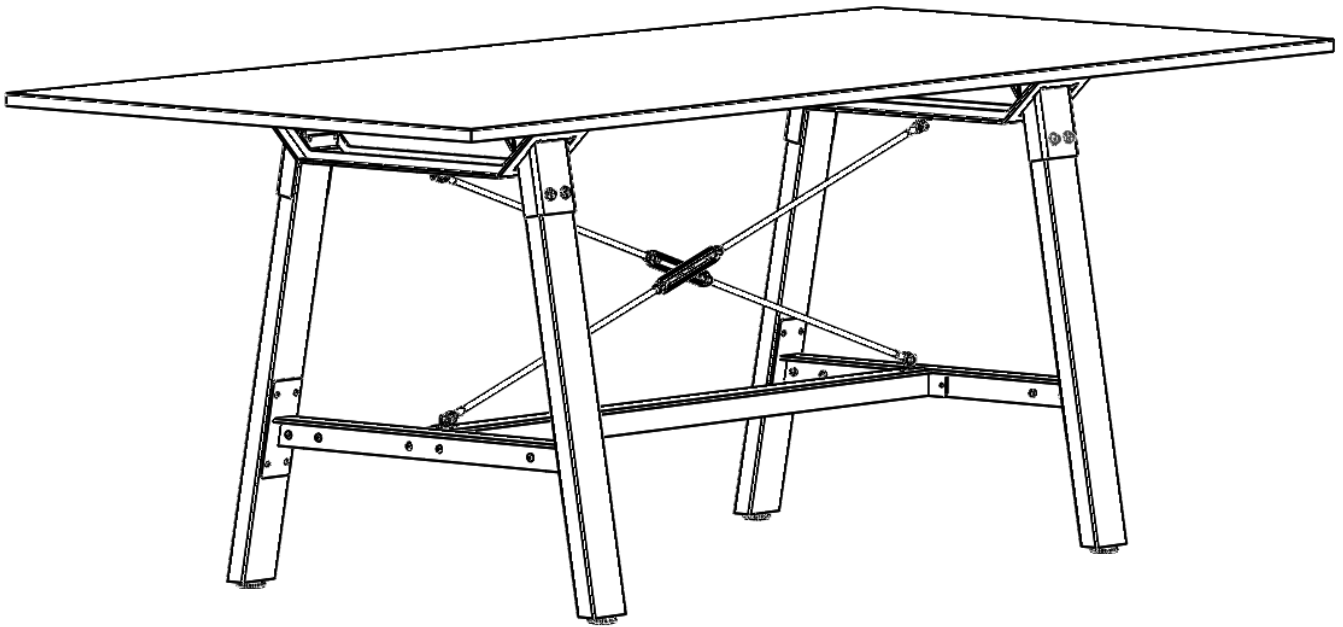


ENWORK

ADVENTURE

Team Table



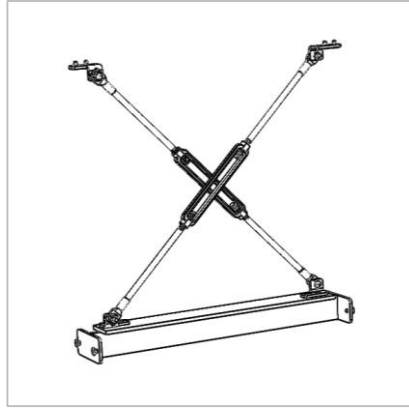
Installation Instructions

NE0001

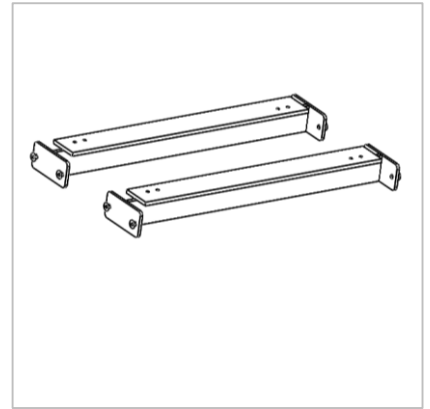
1) Parts and Fasteners Included



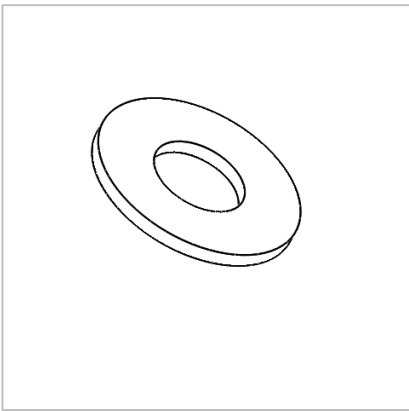
Leg Kit - NEWxxxxx



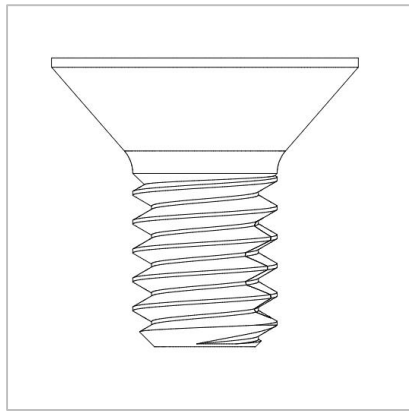
Center Rail and Turnbuckle - NEWSxxx



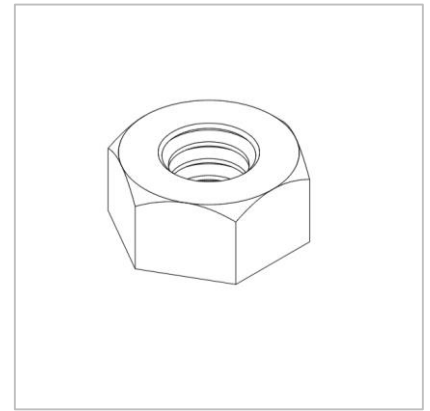
Foot Rail Pair – NEWDxxx



1/4-20 x 5/8 Flat Washer



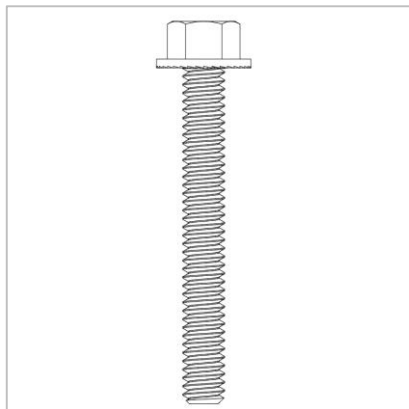
1/4-20 x 1/2" Hex Drive Flat Head



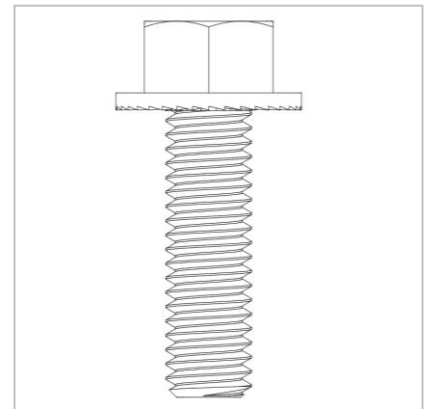
1/4-20 Hex Nut



#10 x 1, 1/4" Pan Head Phillips

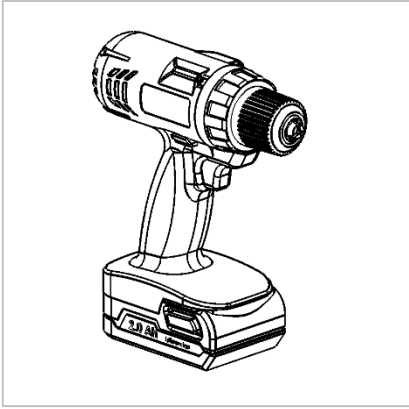


1/4-20 x 2" Flange Head Hex Bolt

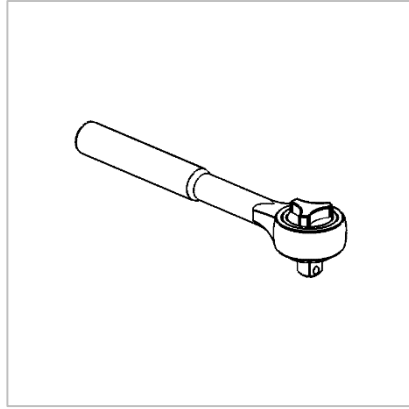


3/8-16 x 1.25" Flange Head Hex Bolt

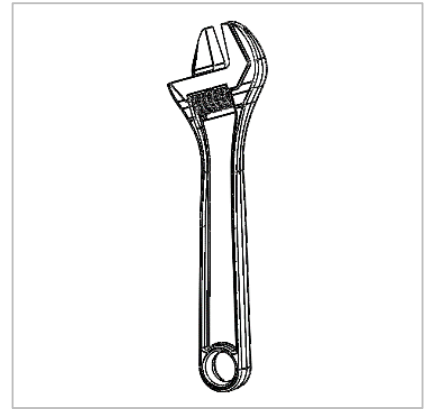
2) Tools and Supplies Required



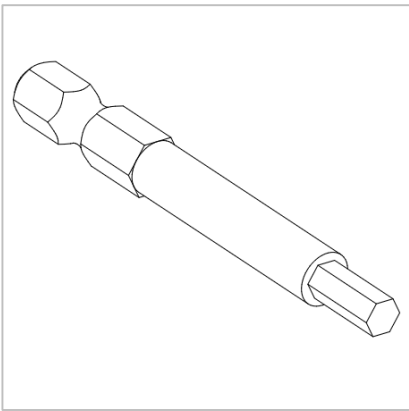
Drill / Screwdriver



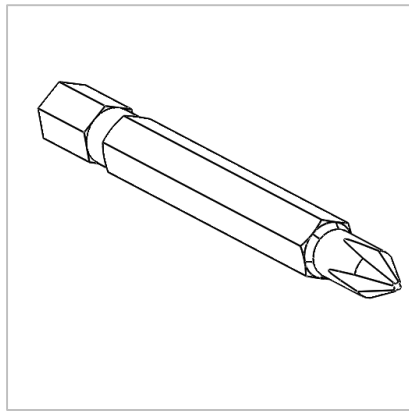
Socket Wrench



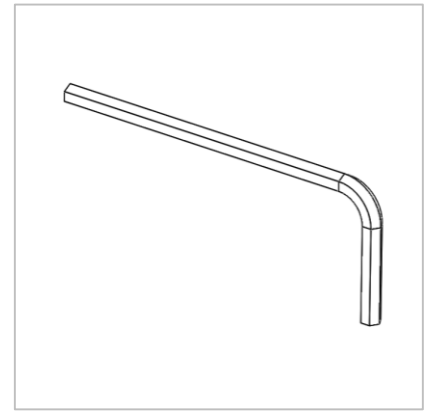
Adjustable Wrench



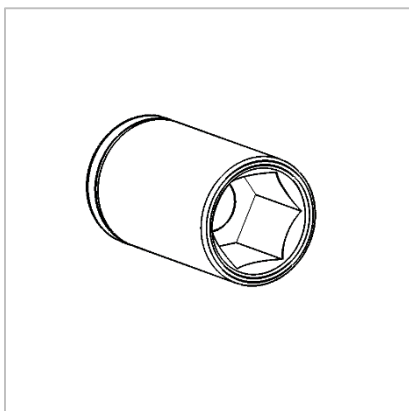
5/32 Hex Bit



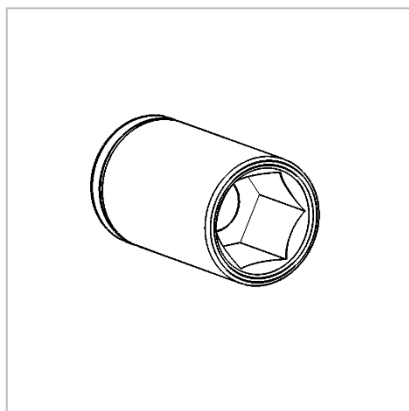
Phillips Bit



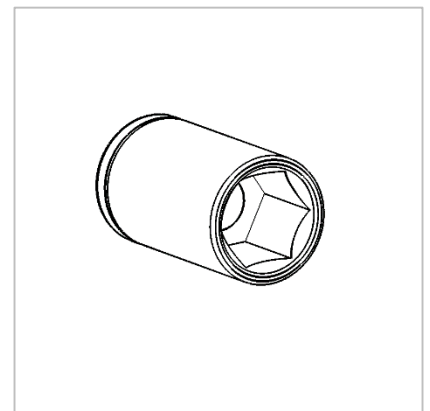
5/32 Allen Wrench



3/8" Socket



1/2" Socket



5/8" Socket

3) Assembly Overview

1. Lay the Table Surface upside down on a soft, clean, and level surface to avoid damage. Place both legs on top of it, but do not attach them yet. (Figure #1)

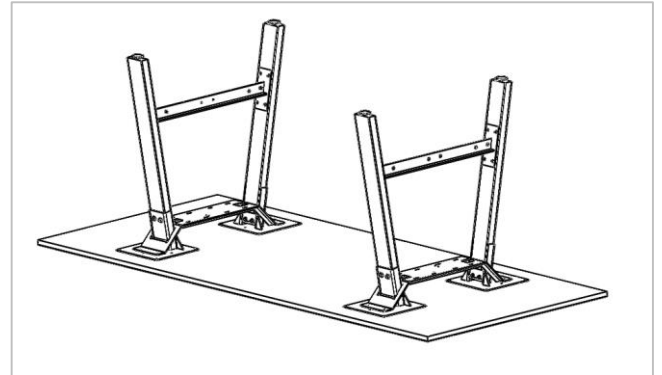


Figure #1

2. Your assembly may include a Center Rail with Turnbuckles, or a Foot Rail pair, or both. The Center Rail and Turnbuckle must be placed in the center. The Foot Rail pair can be installed where desired.

To install these you will need to remove the placeholder hardware ($\frac{1}{4}$ -20 x $\frac{1}{2}$ " Hex Drive Flat Head Bolts and $\frac{1}{4}$ -20 Hex Nuts) filling the holes in the Leg Kit Rail.

(Figure #2)

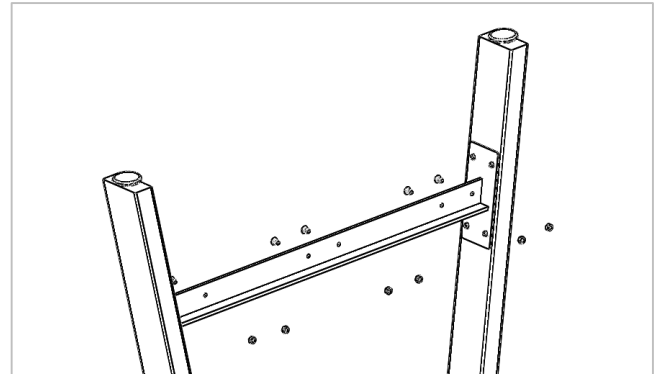


Figure #2

3. If you have a Center Rail with Turnbuckles, place it upside down so that the holes at both ends of the rails line up with the holes in center of the Leg Rails. Attach these using the $\frac{1}{4}$ -20 x $\frac{1}{2}$ " Hex Drive Flat Head Bolts. (Figure #3)

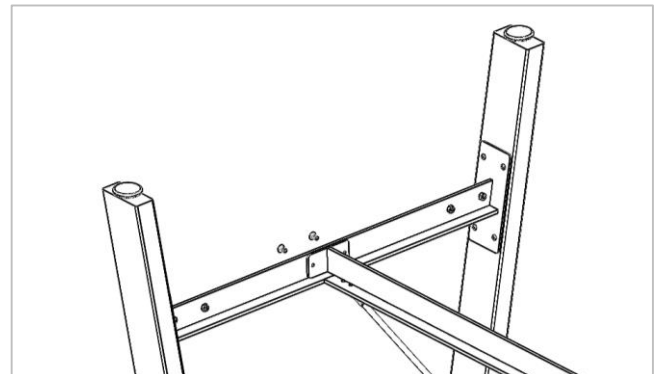


Figure #3

3) Assembly Overview

4. If you have the Foot Rail Pair, then your table will have the two outer positions filled. (Figure #4)
5. If you are assembling a 3 Leg Table (108-192" Long) or 4 Leg Table (204-240" Long) then you will need to use the $\frac{1}{4}$ -20 x 1" Button Head Hex Bolts and $\frac{1}{4}$ -20 Hex Nuts to attach Rail to Rail in the Center Legs through the Leg Rail. Clamping the Foot Rails together around the Leg Rail will make things easier. (Figure #5)
6. When you have assembled every rail in your kit, fill any remaining Leg Rail holes with $\frac{1}{4}$ -20 x $\frac{1}{2}$ " Hex Drive Flat Head Bolts and $\frac{1}{4}$ -20 Hex Nuts.
7. Using the 1" Phillips Screws attach the Legs to the Table Surface through the pre-drilled holes. (Figure #6)

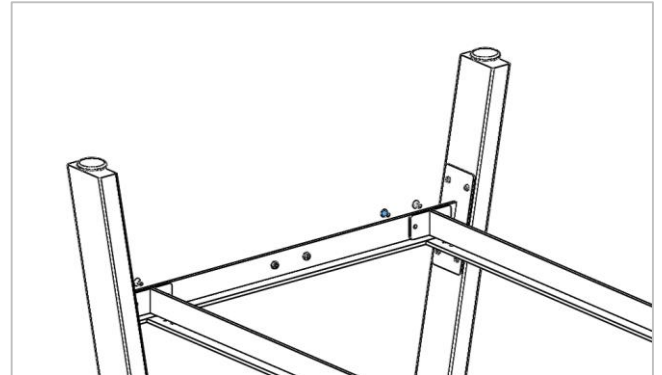


Figure #4

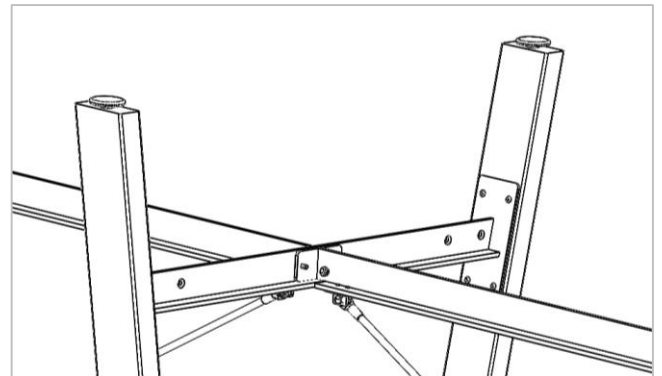


Figure #5

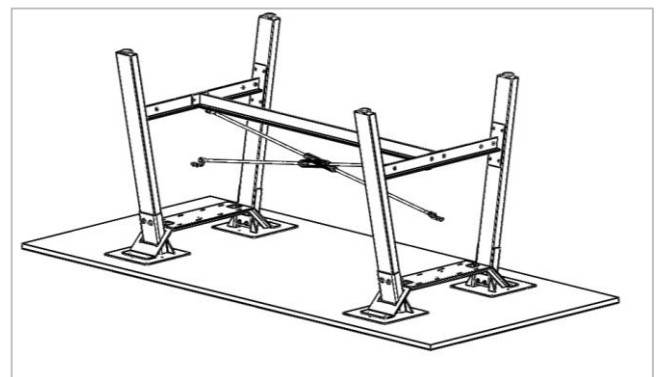


Figure #6

3) Assembly Overview

8. Attach the Turnbuckle Rods to the Top Plates of the legs using $\frac{1}{4}$ -20 x $\frac{1}{2}$ " Hex Drive Flat Head Bolts. You may need to thread or unthread the turnbuckle to adjust the rod length so that the holes will line up. (Figure #7)

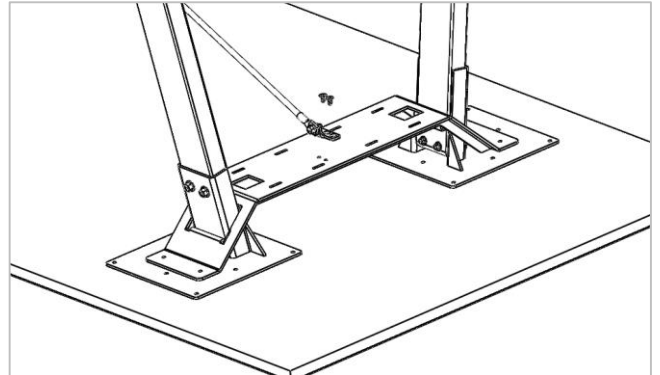


Figure #7

9. Once both the Turnbuckle rods are attached to the top plates, tighten the turnbuckles a half turn. (Figure #8)

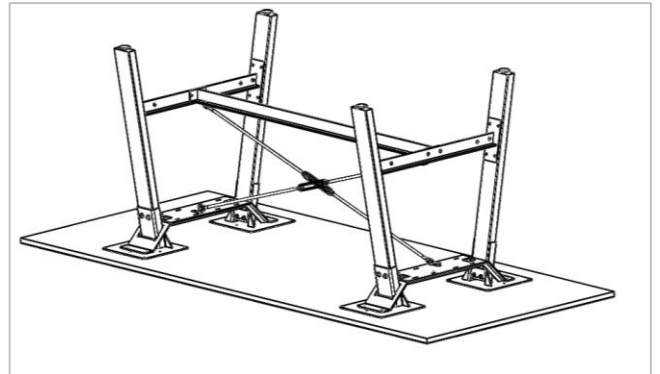


Figure #8

10. Being careful not to damage the Table Top edges, flip the table right side up and place all four feet on the ground. Be careful not to place too much weight on the wooden legs while flipping the table. (Figure #9)



Figure #9

11. Move the table to the desired location and level the table by screwing the leveling glides in or out.

ENWORK

12900 Christopher Drive Lowell, MI 49331
800.815.7251 www.enwork.com

Specifications subject to change without notice.