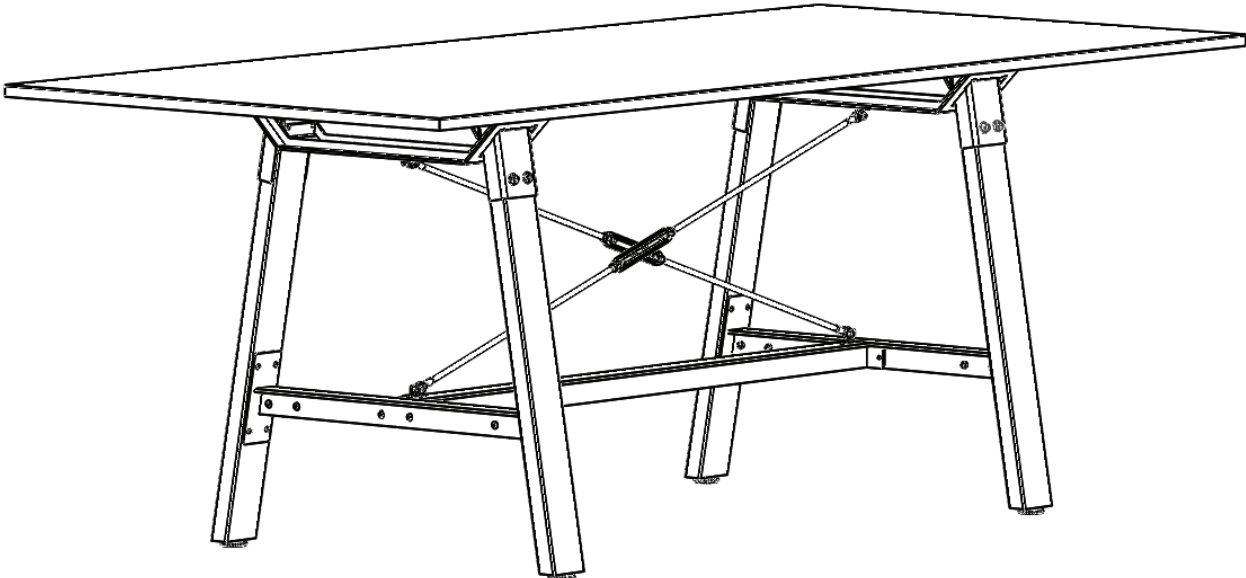


ENWORK

A D V E N T U R E

TEAM TABLE



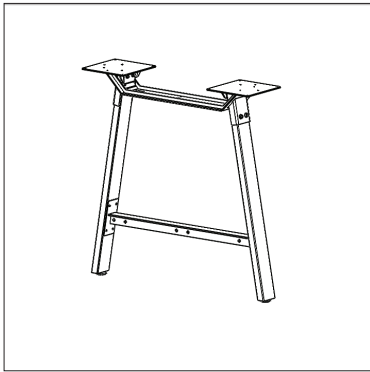
N E 0 0 0 1

Adventure Installation Instructions – Rev C
Revised 11/19

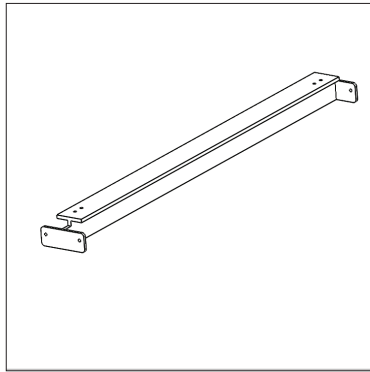
ENWORK

INSTALLATION GUIDE

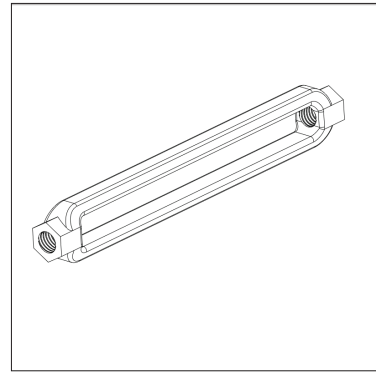
1) PARTS AND FASTENERS INCLUDED



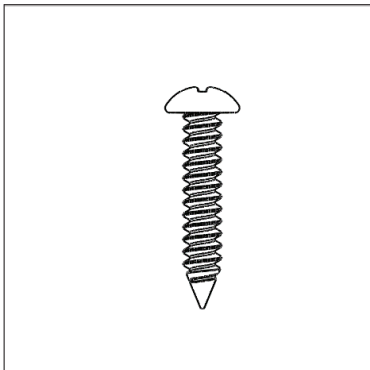
Leg



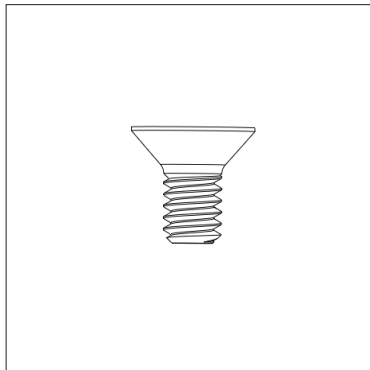
Footbar



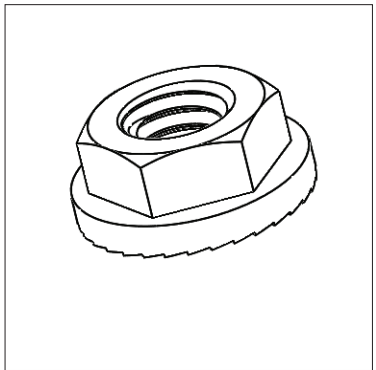
Turnbuckle



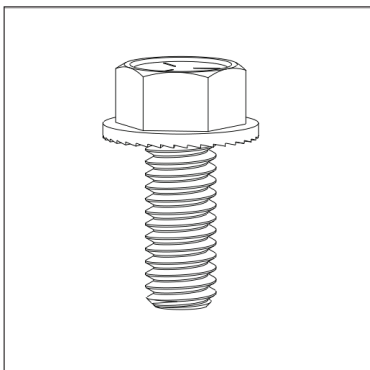
#10 x 1, 1/4" Pan Head Phillips



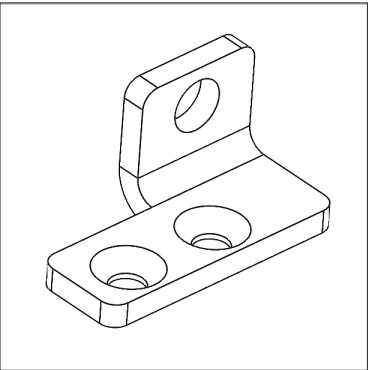
1/4-20 x 1/2" Hex Drive Flat Head



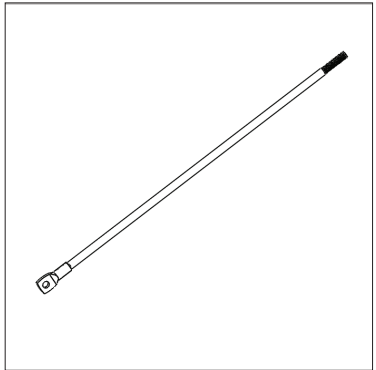
5/16-18 Flange Nut



5/16-18 .75 Flange Head Bolt



NEM-1546

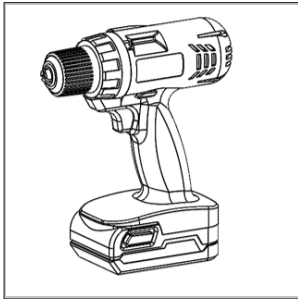


Threaded Rod With Eyebolt

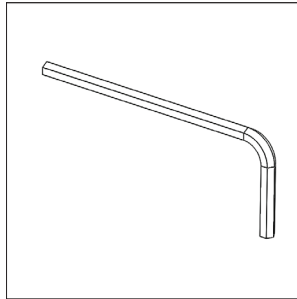
ENWORK

INSTALLATION GUIDE

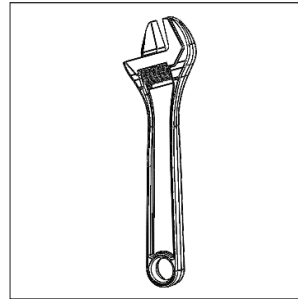
2) TOOLS AND SUPPLIES REQUIRED



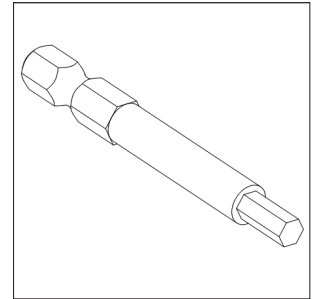
Screwdriver



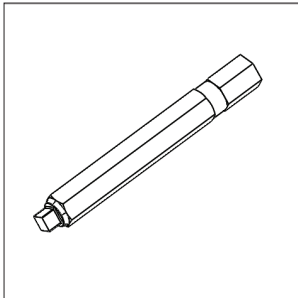
5/32 Allen Wrench



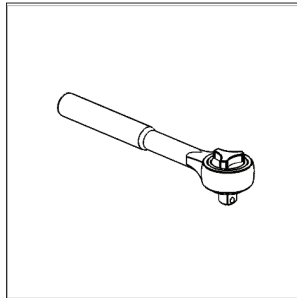
Adjustable Wrench



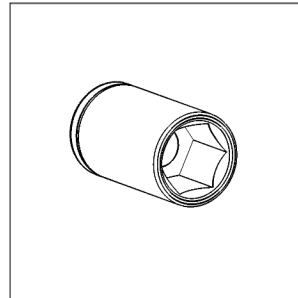
5/32 Hex Bit



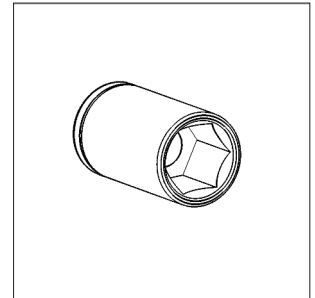
Square Bit



Socket Wrench



3/8" Socket



1/2" Socket

ENWORK

INSTALLATION GUIDE

3) ASSEMBLY OVERVIEW

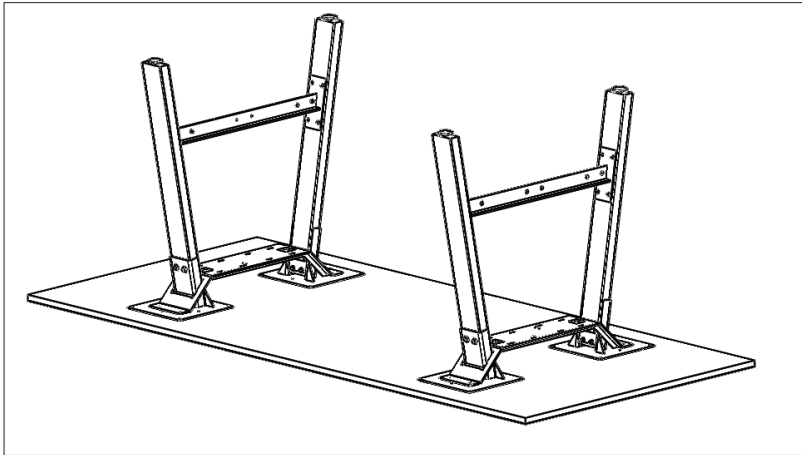


FIGURE 1

1. Lay the Table Surface upside down on a soft, clean, and level surface to avoid damage. Place both legs on the top, but do not attach. (Figure #1)

2. If your assembly includes turnbuckles the footbars will be used in the center position on the table. (Figure #3) If there are no turnbuckles the footbars will be used in the outside positions. (Figure #4)

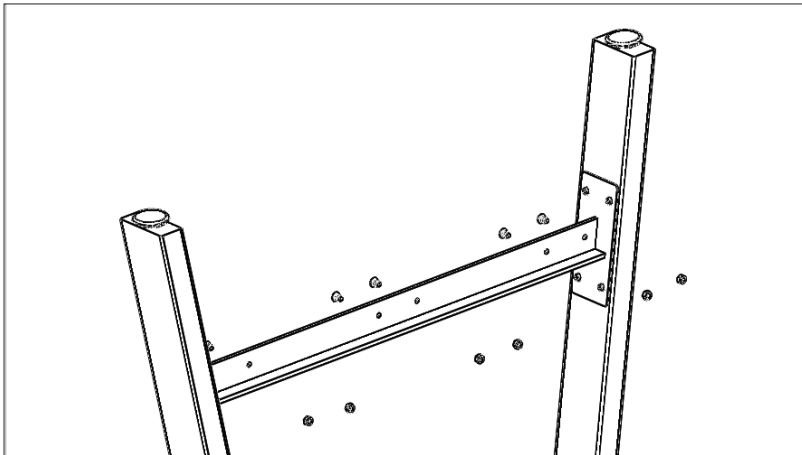


FIGURE 2

3. Remove the placeholder hardware ($\frac{1}{4}$ -20 x $\frac{1}{2}$ " Hex Drive Flat Head Bolts and $\frac{1}{4}$ -20 Hex Nuts) from the Leg support bar. (Figure #2)

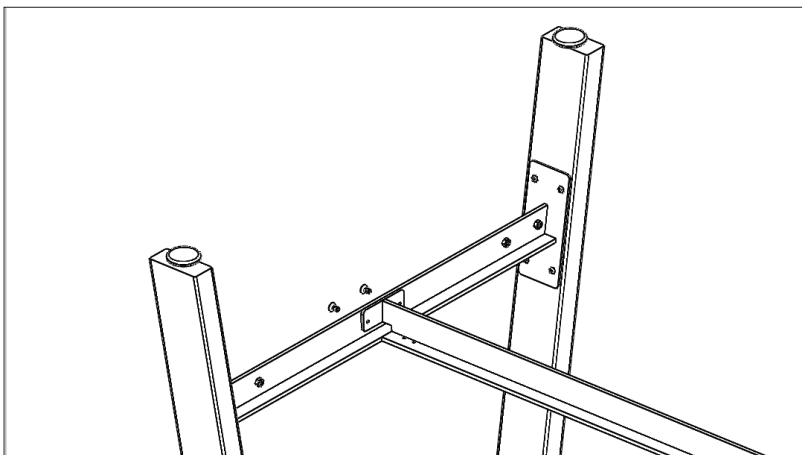


FIGURE 3

4. Locate the footbar upside down aligning the holes at both ends line up with the holes in the Leg Rails. Attach the footbar using the $\frac{1}{4}$ -20 x $\frac{1}{2}$ " Hex Drive Flat Head Bolts. (Figure #3)

ENWORK

INSTALLATION GUIDE

3) ASSEMBLY OVERVIEW CONTINUED I

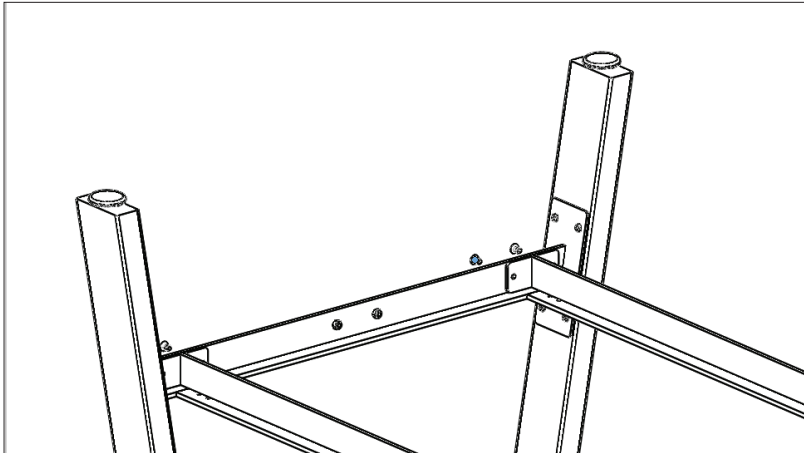


FIGURE 4

5. If there are no turnbuckles, attach the footbars in the two outer positions. (Figure #4)

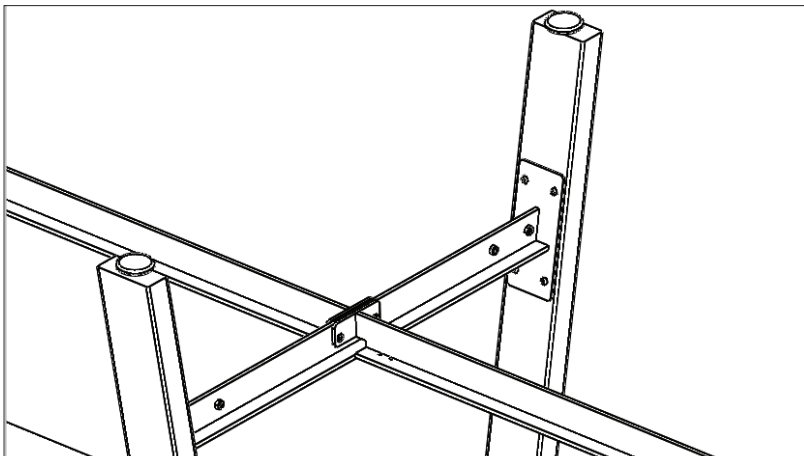


FIGURE 5

6. If the table is 3 Leg Table (108-192" Long) or 4 Leg Table (204-240" Long) use the $\frac{1}{4}$ -20 x 1" Button Head Hex Bolts and $\frac{1}{4}$ -20 Hex Nuts to attach footbar to footbar in the Center Legs through the Leg Rail (Figure #5). Clamping the Footbars together around the leg may make things easier.
7. When you have assembled every footbar in your kit, fill any remaining Leg Rail holes with the leftover $\frac{1}{4}$ -20 x $\frac{1}{2}$ " Hex Drive Flat Head Bolts and $\frac{1}{4}$ -20 Hex Nuts.

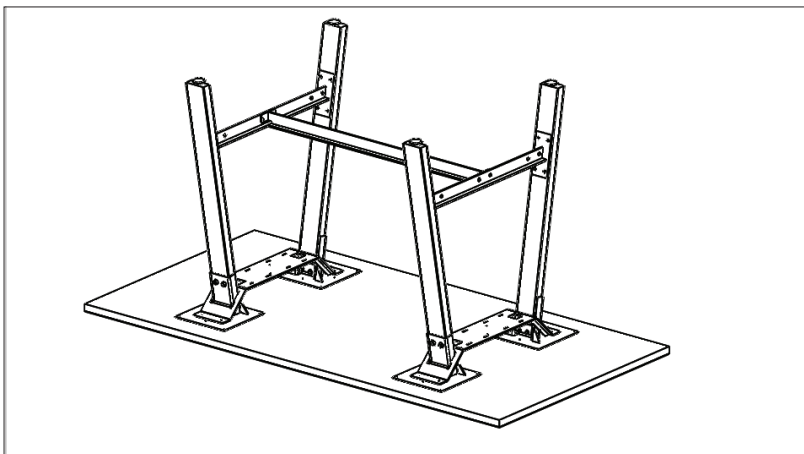


FIGURE 6

8. Attach the Legs to the Table Surface through the pre-drilled holes. (Figure #6)

3) ASSEMBLY OVERVIEW CONTINUED II

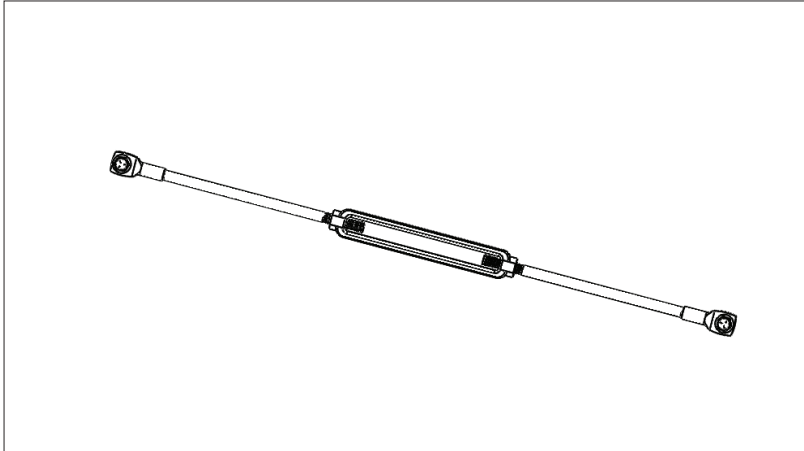


FIGURE 7

9. Preassemble the threaded rods. One end of the Turnbuckle is Right Hand threaded, the other is Left Hand threaded. There should be an equal number of Right Hand and Left Hand Threaded rods in your parts. Thread each rod halfway onto the turnbuckles. (Figure #7)

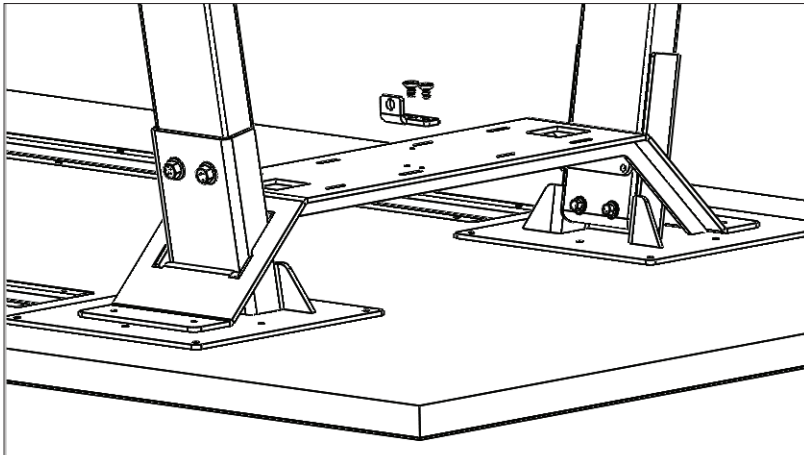


FIGURE 8

10. Assemble the NEM-1546's to the Top Plates of the legs using $\frac{1}{4}$ -20 x $\frac{1}{2}$ " Hex Drive Flat Head Bolts. Bolt the bracket onto the top plate (Figure #8). The tab on the NEM-1546's should be closest to the center of the table. Bolt the NEM-1546's onto the ends of the footbar. On the footbar the NEM-1546's tabs should be away from the center of the table. This forces the tabs to be almost above one another.

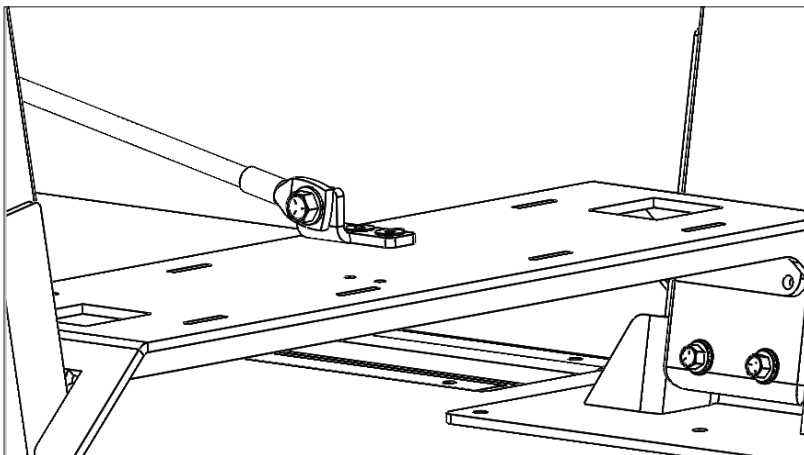


FIGURE 9

11. Attach the Turnbuckle assembly to the NEM-1546's using the 5/16-18 Nuts and Bolts. Place the eyebolts on the outside of the tab. You may need to thread or unthread the turnbuckle to adjust the rod length so that the holes will line up. (Figure #9) Once both the Turnbuckle rods are attached, tighten the turnbuckles a half turn.

ENWORK

INSTALLATION GUIDE

3) ASSEMBLY OVERVIEW CONTINUED III

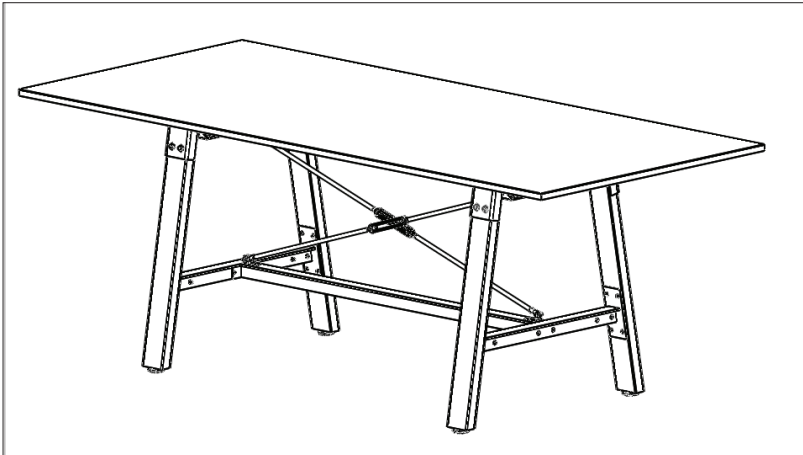


FIGURE 10

12. Be careful not to damage the Table Top edges. (Figure #9) Be careful not to damage the top surface, edges or legs, flip the table into its upright position.

ENWORK

1.800.815.7251

www.enwork.com

12900 Christopher Dr. Lowell, MI 49331

Specifications subject to change without notice.