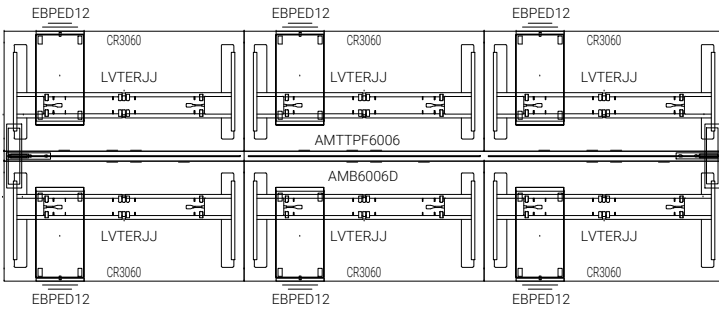


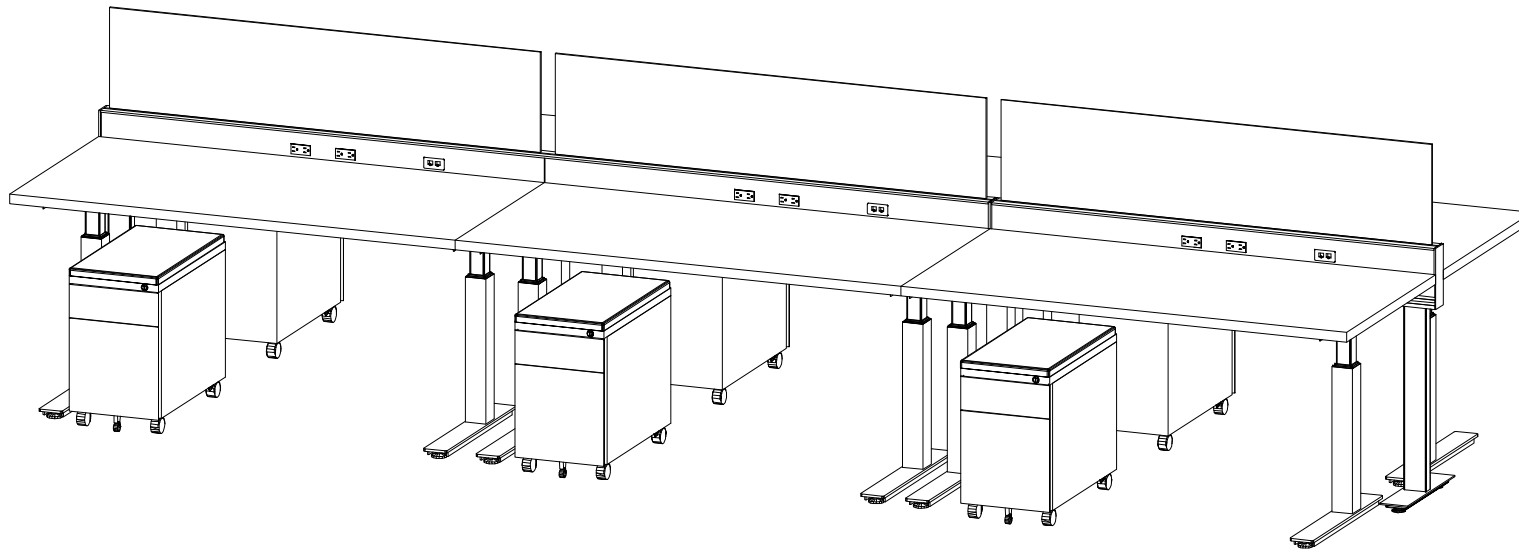
NOTES:

- DRAWING IS A VISUAL REPRESENTATION ILLUSTRATING DESIGN INTENT. DETAILS MAY VARY INCLUDING LOCATION OF POWER/DATA UNITS AND BASES.
- NO MORE THAN 4 STATIONS PER CIRCUIT



PLAN VIEW

Scale: 1/4" = 1'-0"



ISOMETRIC VIEW

Scale: Not to Scale