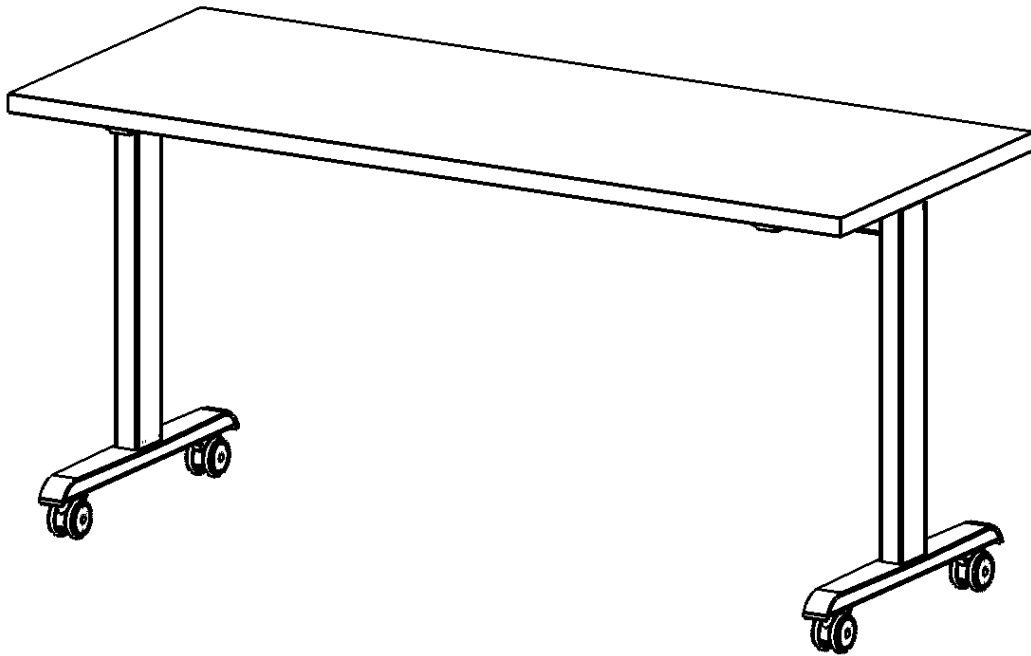


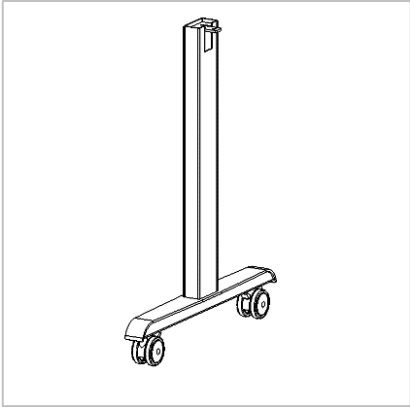
Impression Flip Table

Impression Flip Table Installation Guide

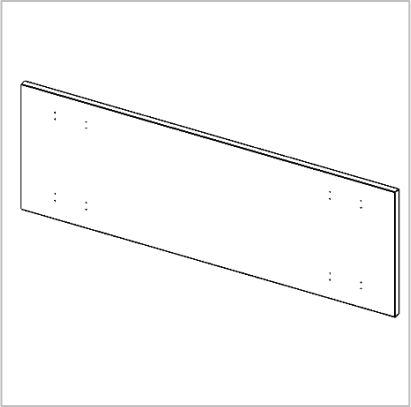


T10025

1) Parts and Fasteners Included



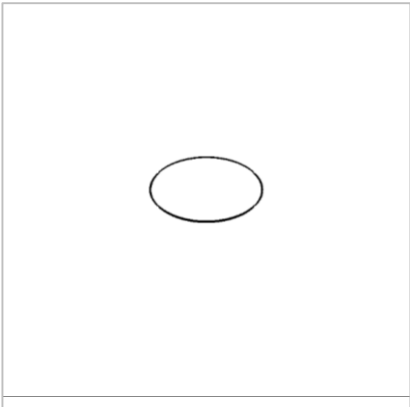
LEG COLUMN
(LCRSxxx)



WORKSURFACE
(CRFxxxx)



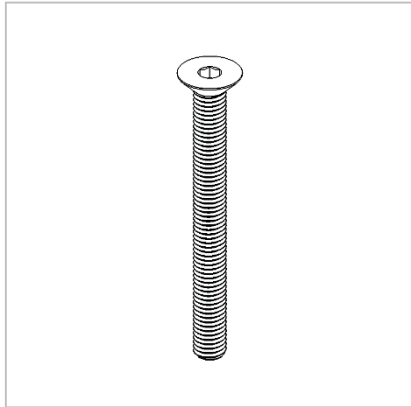
FRAME SUB ASSEMBLY
(RZNTxxxx)



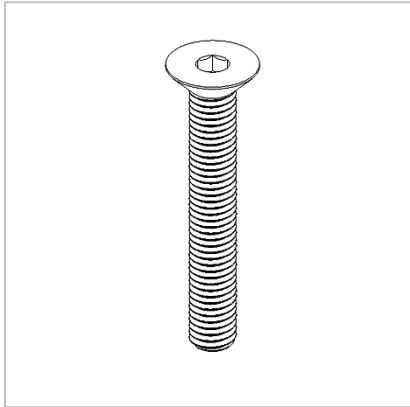
CAP COVER
QTY: 8



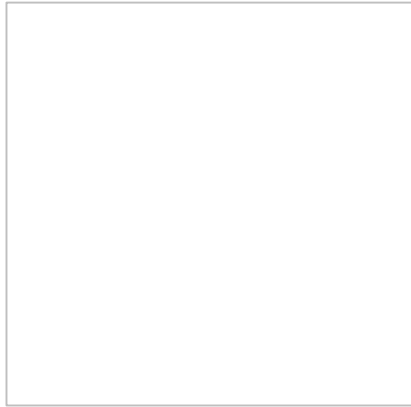
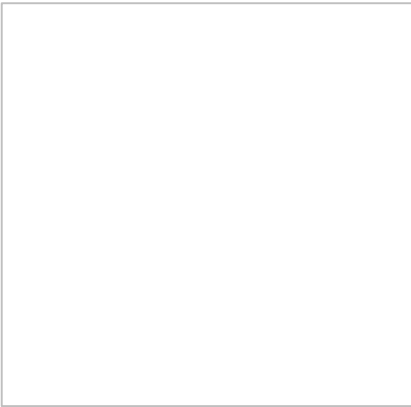
#10 x 1.00" WOOD SCREW
QTY: 8



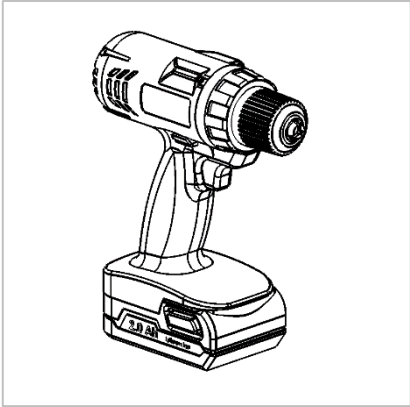
M8-1.25 x 70mm
QTY: 4



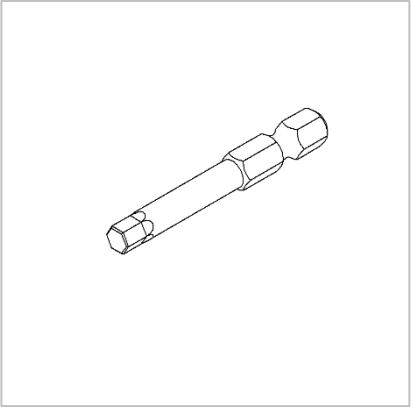
M8-1.25 X 55mm
QTY: 4



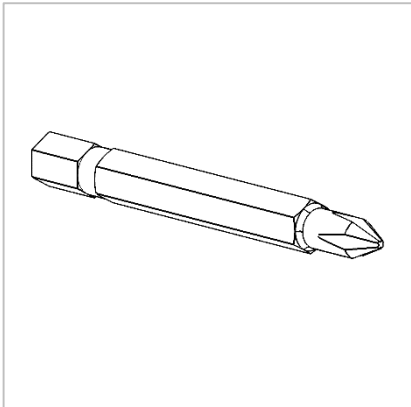
2) Tools and Supplies Required



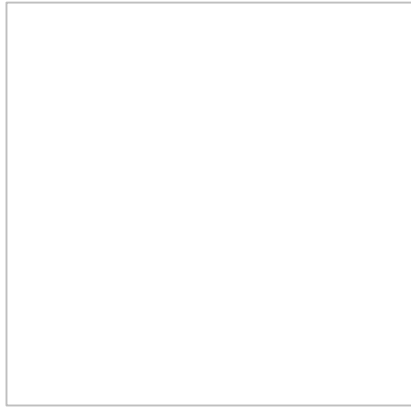
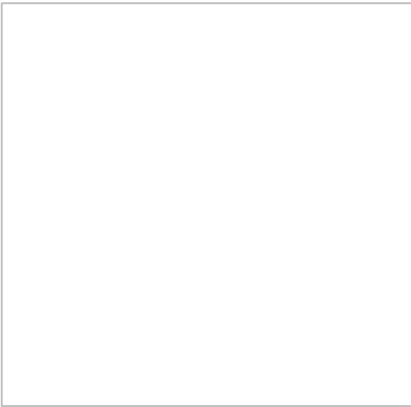
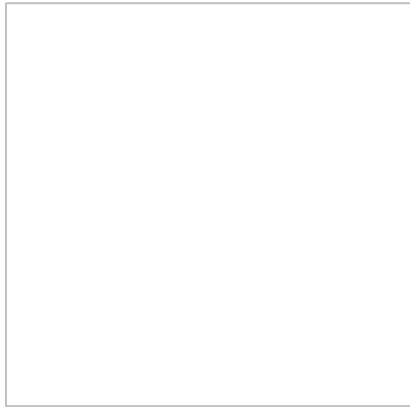
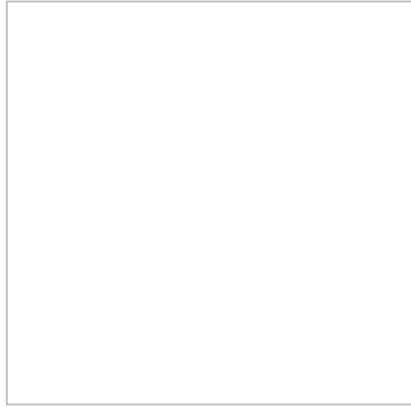
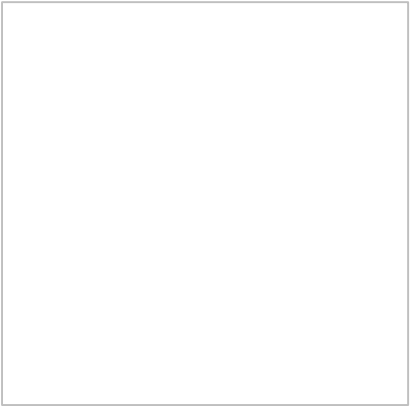
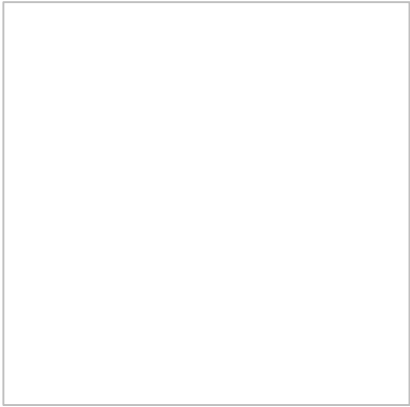
DRILL/DRIVER



5mm HEX BIT



#2 PHILLIPS BIT
(#2 SQUARE BIT OPTIONAL)



3) Assembly Overview

1. Leg Attachment
2. Frame Placement
3. Frame Attachment

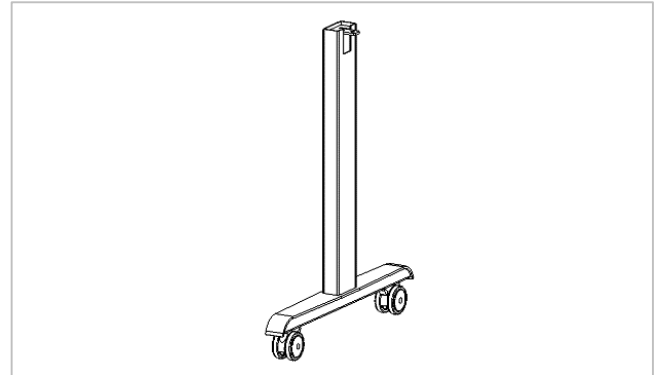


Figure 3.1

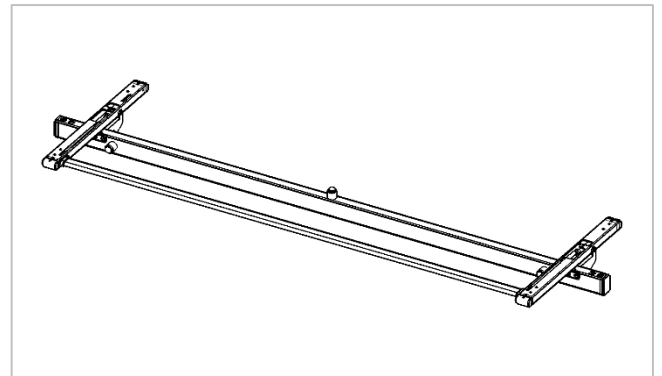


Figure 3.2

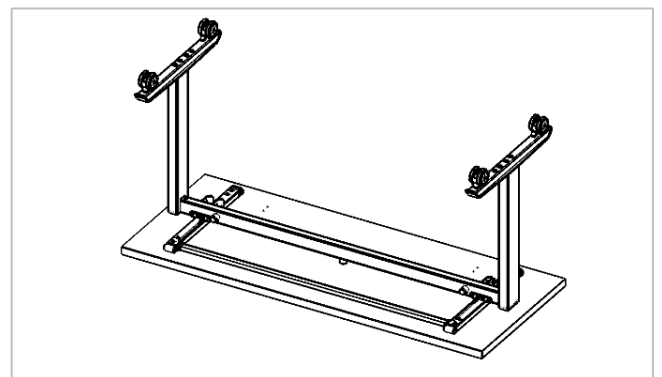


Figure 3.3

4) Assembly: Leg Attachment

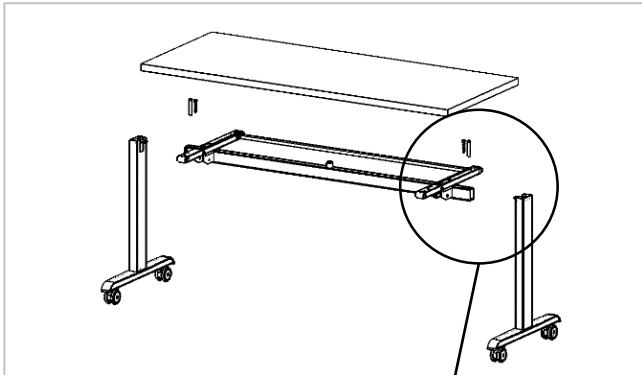


Figure 4.1

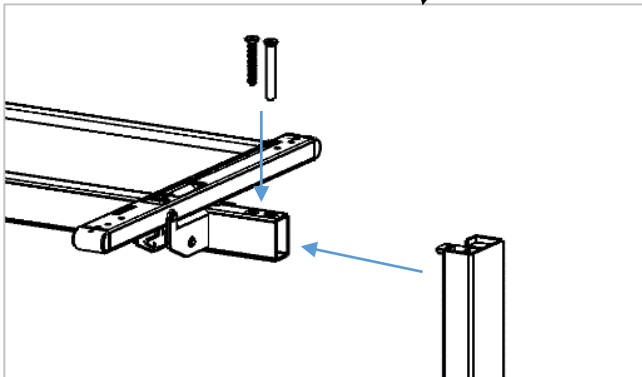


Figure 4.2

- Locate the pre-assembled frame sub-assembly
 - Locate the M8 x 70mm and M8 x 55mm Flat head bolts included in the hardware pack.
-
- Slide the leg column horizontally onto the beam.
 - Line up the clearance holes in the beam with the holes in the leg column.
 - Using the M8 bolts, connect the legs to the frame. Verify that the M8 x 70mm bolt is used on the hole closest to the end of the beam.
-
- Repeat the above steps for the second leg.

4) Assembly: Frame Placement and Attachment

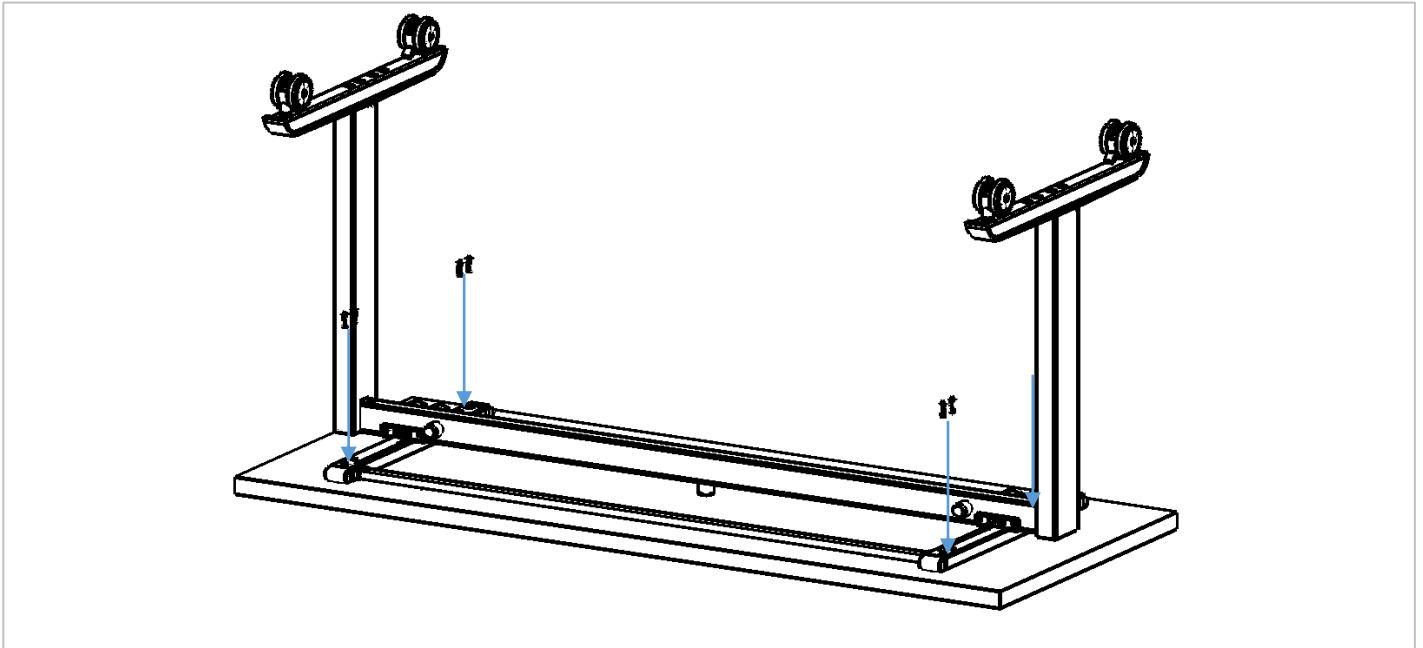


Figure 4.3

- Lay the top face down on a non-marring surface.
- Place the frame on the top with the black flip mechanisms spaced evenly from the sides of the table.
- Line up the holes in the flip mechanisms with the pre-drilled holes in the work surface.
- Attach the frame to the top with the included wood screws.
- Insert the included Cap Covers into the holes in the flip mechanisms to cover the screws.

4) Assembly: Completed Table

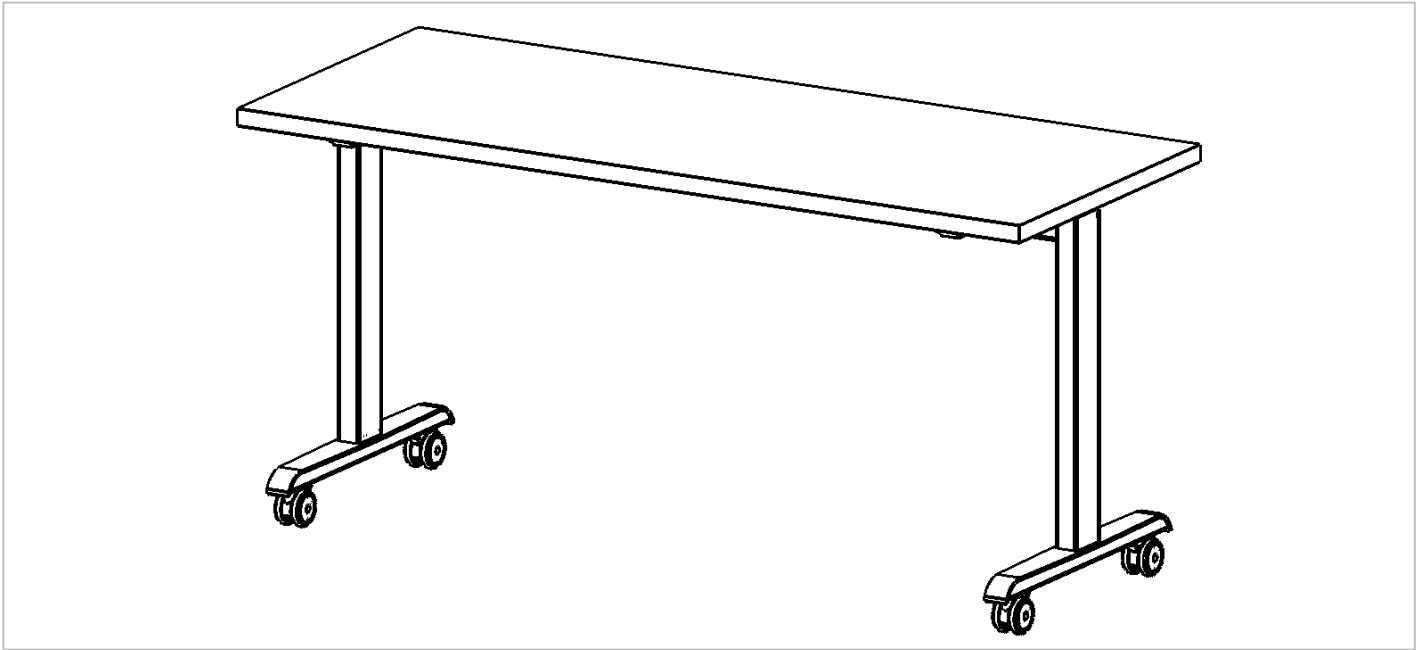


Figure 4.4

- Carefully flip table onto the casters.
- Using two hands, grab the release handle and verify that the flip mechanism functions properly.

ENWORK

12900 Christopher Drive Lowell, MI 49331
800.815.7251 www.enwork.com

Specifications subject to change without notice.