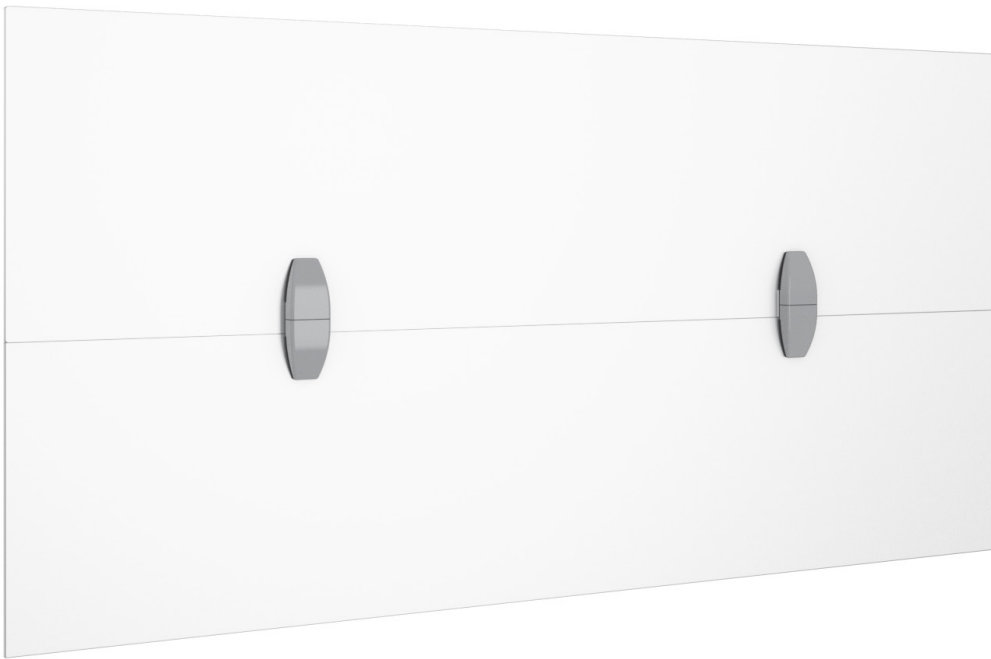


ENWORK

# STACK-ON SCREEN INSTALLATION INSTRUCTIONS

SCREEN ACCESSORIES



G I 0 0 1 9

Stack-On Installation Guide – Rev B

**WARNING:**

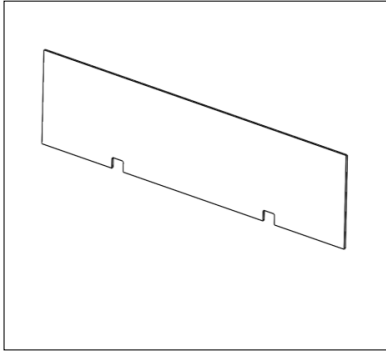
Acrylic screens scratch and scuff easily. After removing protective film, immediately and carefully install the screen.

DO NOT remove protective film from acrylic screens, then stack them in a pile or against each other. Experience shows this will cause marring and scratching.

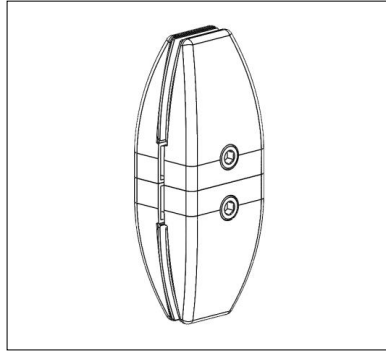
# ENWORK

## INSTALLATION GUIDE

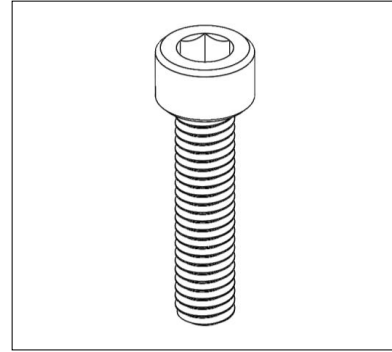
### 1) PARTS AND FASTENERS INCLUDED



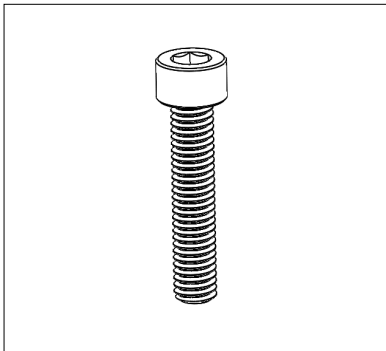
Screen



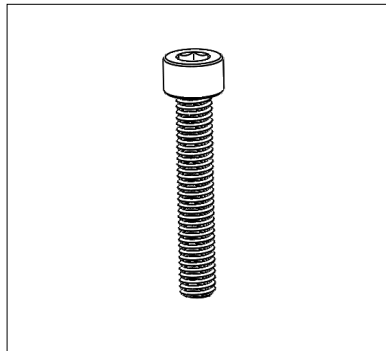
Stack-On FL Clamps



M6-1.0 x 25MM  
Socket Head Cap Screw

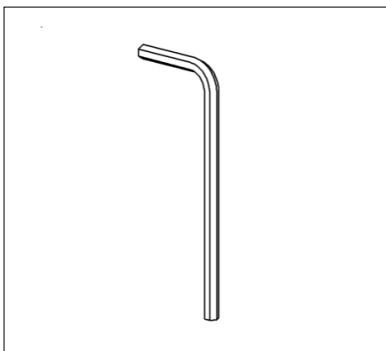


M6-1.0 x 30MM  
Socket Head Cap Screw



M6-1.0 x 35MM  
Socket Head Cap Screw

### 2) TOOLS AND SUPPLIES REQUIRED



Allen Wrench

### 3) ASSEMBLY:

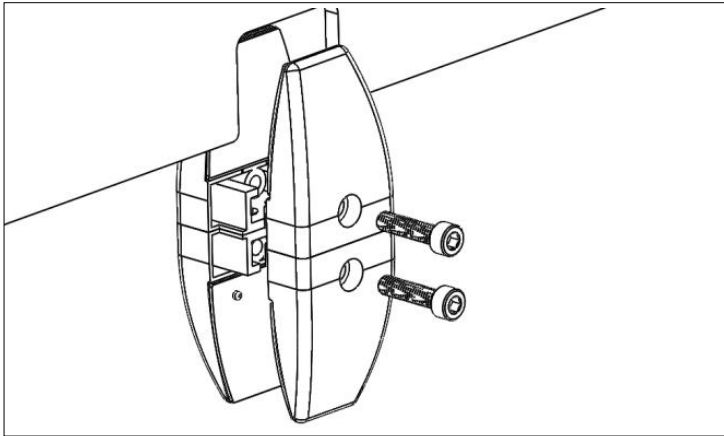


FIGURE 1

Loosen the bolts in the FLCLAMPS so that it can clamp the screen inside the slot. Tighten the bolts and make sure that the rubber bumpers on the inside of the clamp stay firmly in place. Repeat this until all the slots on the screen are filled with a clamp.

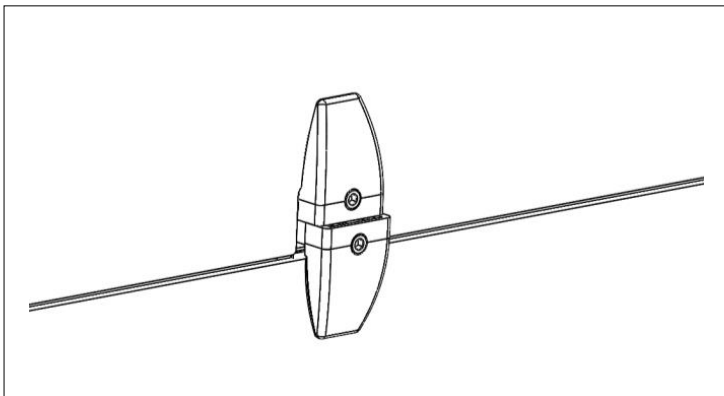


FIGURE 2

Once the screen has all its clamps you will need to select which bolts will work for the thickness of the screen you are stacking onto. 25mm, 30mm, and 35mm bolts are provided.

25mm Bolts: 0-.55" Thick Panels  
30mm Bolts: .55-.80" Thick Panels  
35mm Bolts: .80-1.05" Thick Panels

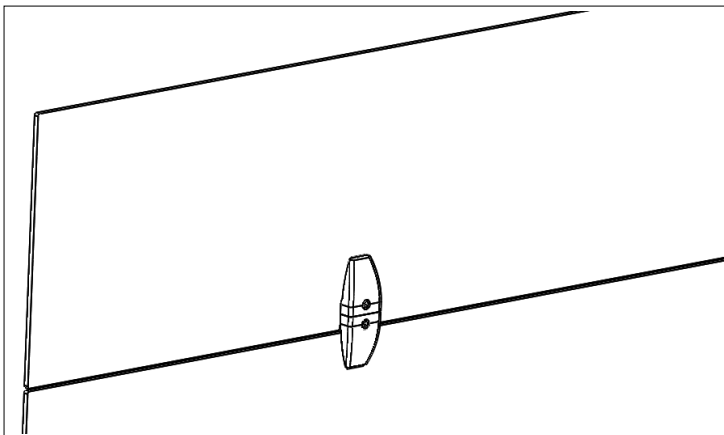


FIGURE 3

Once you have selected which bolts work for your screen, lower the assembly onto the existing screen. Firmly tighten all the screws, ensuring that the rubber bumpers stay in place.

ENWORK

1.800.815.7251

[www.enwork.com](http://www.enwork.com)

12900 Christopher Dr. Lowell, MI 49331

Specifications subject to change without notice.

Rev 08.2020