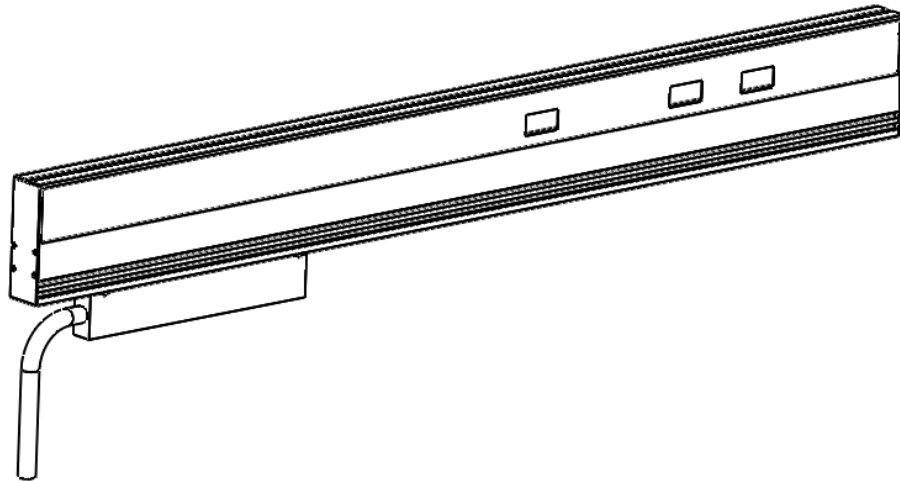


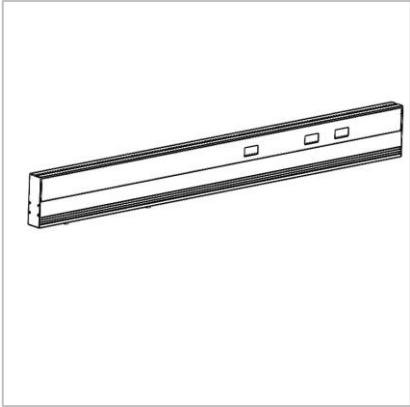
NY Power Bracket Installation Instructions

NY Power Infeeds – UPHASE5NY, UPHASE8NY

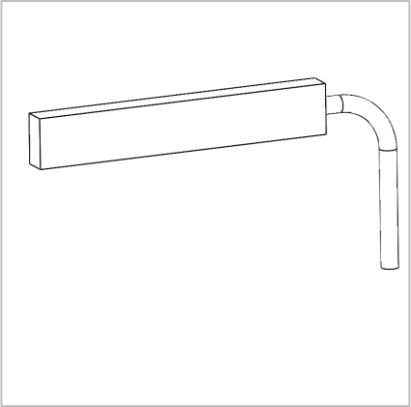


GI0016

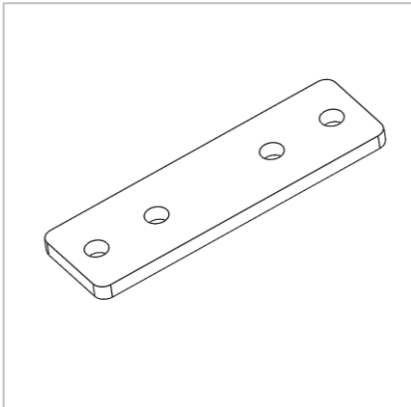
1) Parts and Fasteners Included



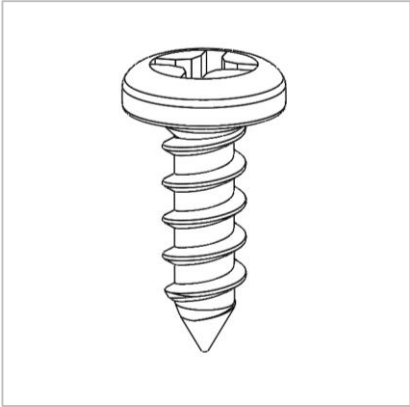
BEAM



NY JUNCTION BLOCK

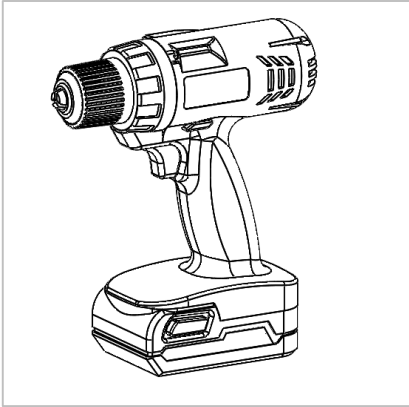


AMM-1850

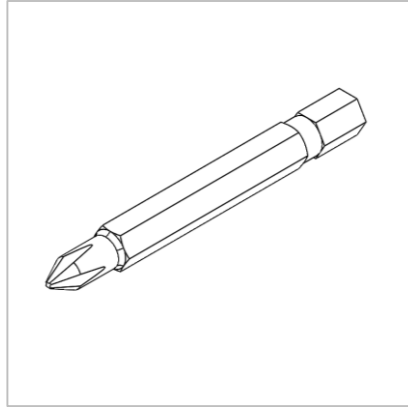


#8 x 3/8" PAN HEAD PHILLIPS

2) Tools and Supplies Required



SCREWDRIVER



PHILLIPS DRIVER BIT

3) Assembly:

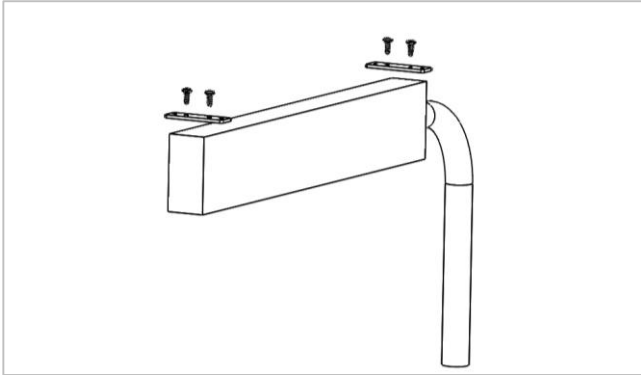


FIGURE 1

Make sure the AMM-1850 plates are centered and screw them onto the Junction Block.

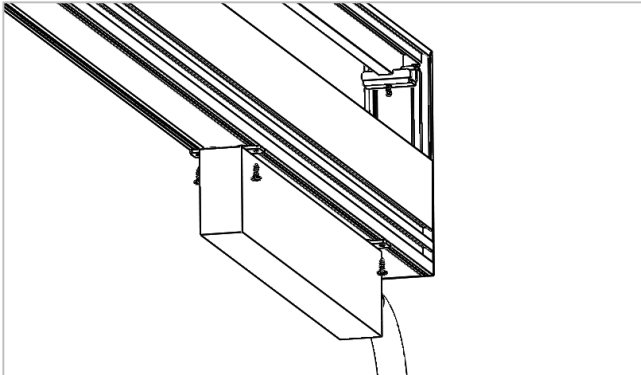
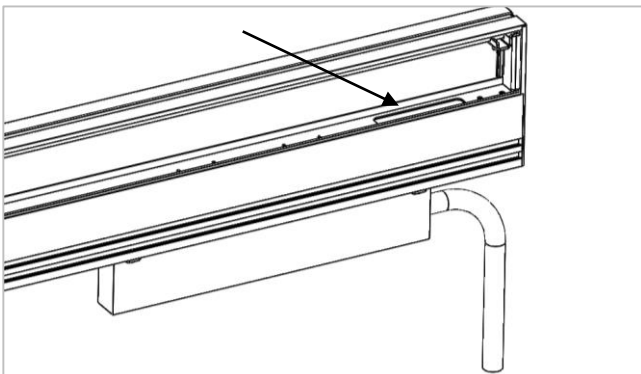


FIGURE 2

Screw the assembly to the underside of the beam. The holes in the AMM-1850 should line up with the grooves on the underside.



Thread the power into the beam through the precut holes.

ENWORK

12900 Christopher Drive Lowell, MI 49331
800.815.7251 www.enwork.com

Specifications subject to change without notice.