

ENWORK

# GRID TOPPER SCREEN INSTALLATION INSTRUCTIONS

OPEN PLAN / BENCHING



G I 0 0 0 2

Grid Topper Screen Installation Instructions – Rev B.

**WARNING:**

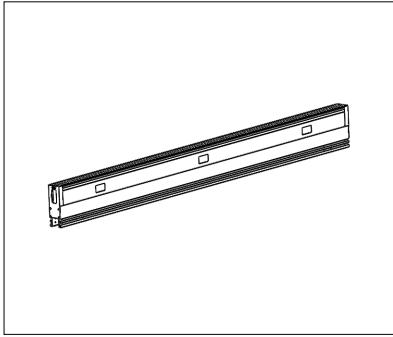
Acrylic screens scratch and scuff easily. After removing protective film, immediately and carefully install the screen.

DO NOT remove protective film from acrylic screens, then stack them in a pile or against each other. Experience shows this will cause marring and scratching.

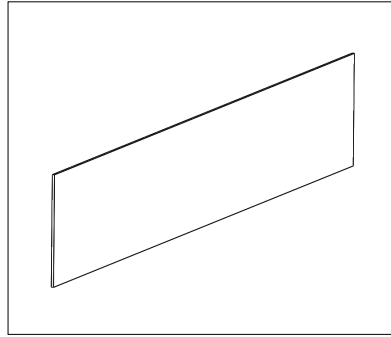
# ENWORK

## INSTALLATION GUIDE

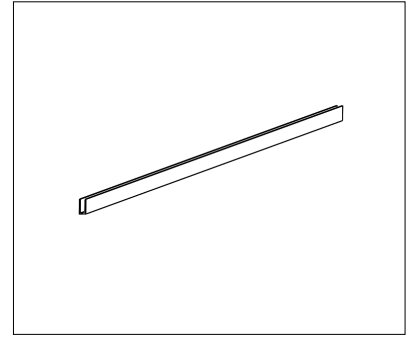
### 1) PARTS AND FASTENERS INCLUDED



Grid Frame



Topper Screen



Gasket

### 2) ASSEMBLY: GRID TOPPER

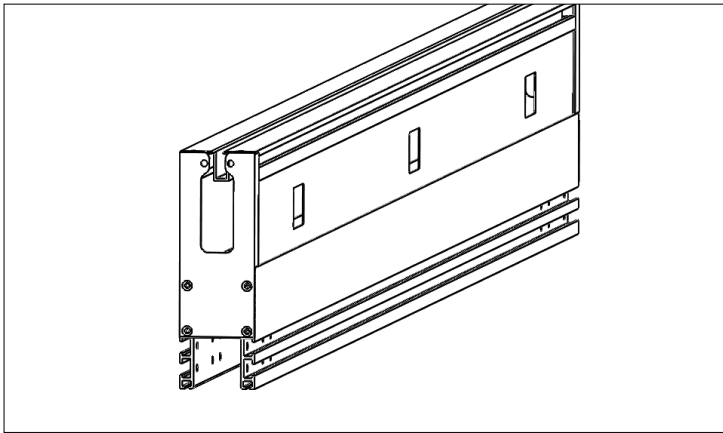


FIGURE 1

Topper Screens are installed after the Grid workstations are otherwise fully assembled.

Make sure the Top Cap is tightened and free of debris.

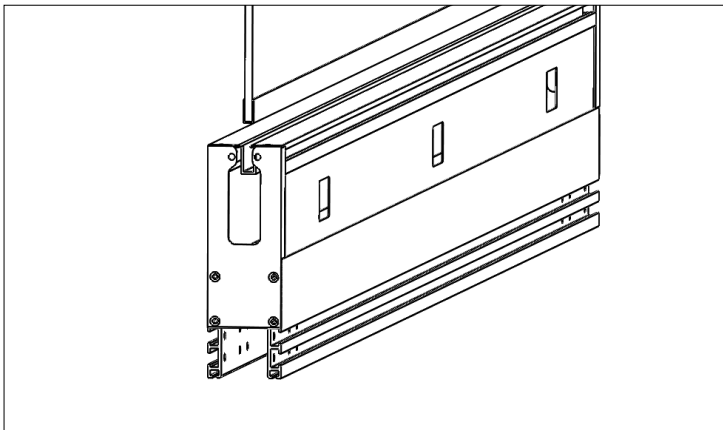


FIGURE 2

Insert the Topper Screen into the gasket and ensure that it is centered.

Spray/wipe a slightly soapy water solution all along the Top Cap slot. The surface should be damp, but without puddles. Center the Topper Screen end to end on the Grid Frame and carefully push down until the Screen is fully seated into the top cap. The Topper Screen should be level and the gasket should sit just below the surface of the top cap.

ENWORK

1.800.815.7251

[www.enwork.com](http://www.enwork.com)

12900 Christopher Dr. Lowell, MI 49331

Specifications subject to change without notice.

Rev 02.2020