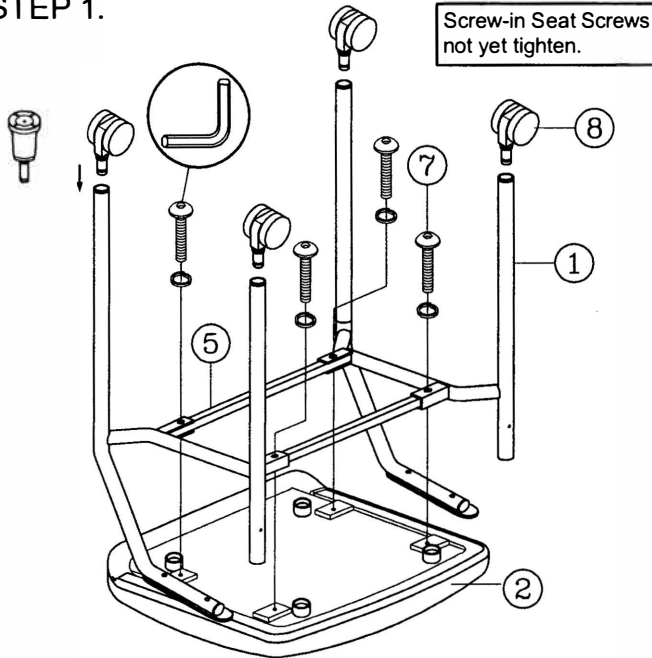
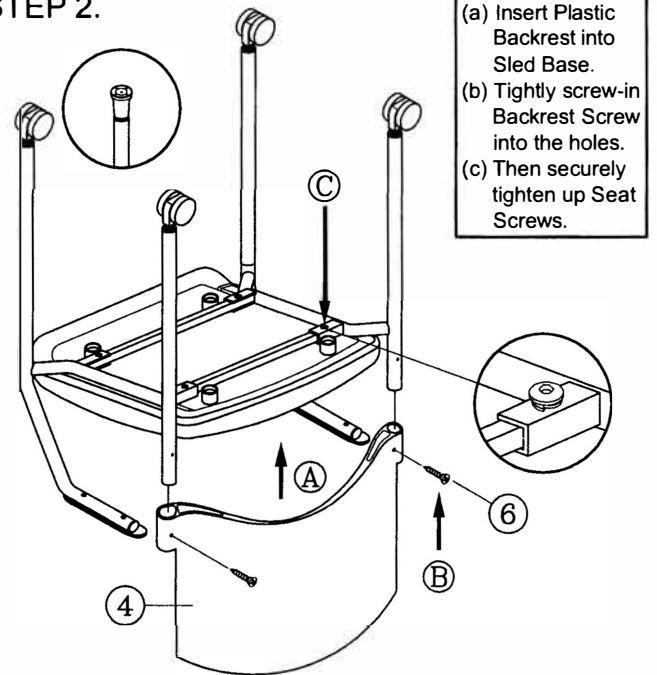
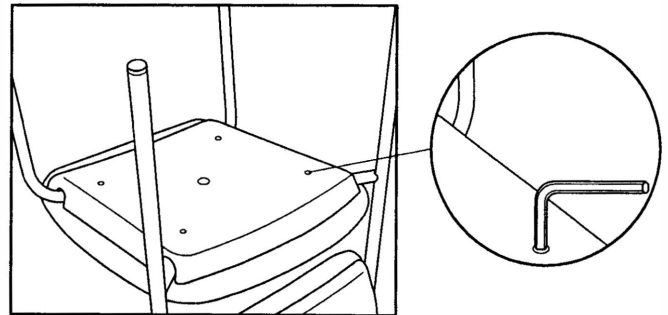
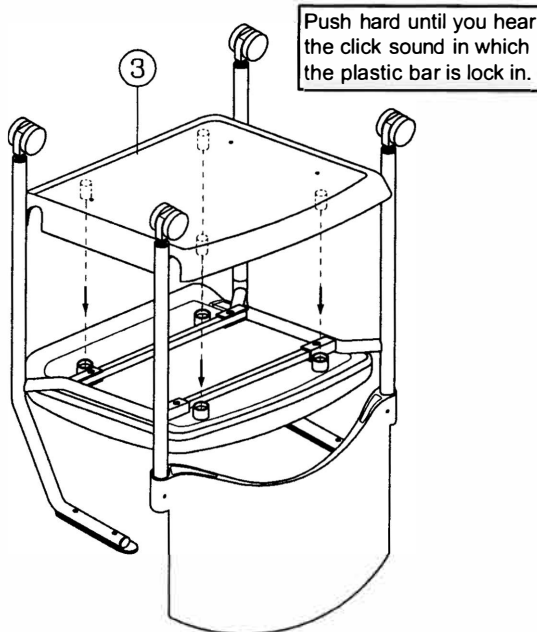


Remove all items from the carton . Verify all pieces before assembly.

PART LIST

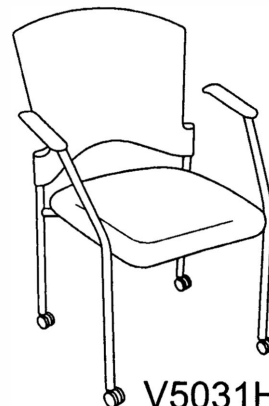
KEY	QTY	DESCRIPTION	KEY	QTY	DESCRIPTION	KEY	QTY	DESCRIPTION
1	2	Sled Base	4	1	Plastic Backrest	7	4	Seat Screw (Longer) + Washer
2	1	Seat Cushion	5	2	Steel Bar	8	4	Caster or Glide
3	1	Seat Plastic Cover	6	2	Backrest Screw (Short)			

STEP 1.**STEP 2.****STEP 3.****PREVENTIVE MAINTENANCE AND WARNING !**

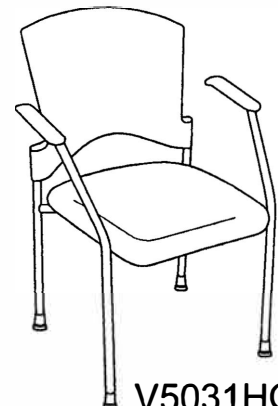
- From time to time , check to make sure screws are securely tightened.
- ◇ Holes on PP shell are for convenient checking.

PREVENTIVE MAINTENANCE AND WARNING!

- USE THIS PRODUCT ONLY FOR SEATING ONE PERSON AT A TIME.
- DO NOT USE THIS CHAIR AS A STEP STOOL / LADDER.
- DO NOT SIT ON ANY PART OF THE CHAIR EXCEPT THE SEAT.
- DO NOT USE CHAIR ON UNEVEN FLOOR SURFACES.
- DO NOT USE CHAIR UNLESS ALL BOLTS, SCREWS AND KNOBS ARE TIGHTENED.
- **EVERY SIX MONTHS, PLEASE MAKE SURE ALL BOLTS, SCREWS AND KNOBS ARE FULLY TIGHTENED TO ENSURE STABILITY.**
- IF ANY PARTS ARE MISSING, BROKEN, DAMAGED OR WORN, STOP USE OF THE PRODUCT UNTIL REPAIRS ARE MADE USING FACTORY AUTHORIZED PARTS.
- DISPOSE OF PACKAGING PROPERLY. PLASTIC BAG IS NOT A TOY.
- DO NOT USE PLASTIC BAG AS HEAD COVERING - IT MAY CAUSE SUFFOCATION.
- FAILURE TO FOLLOW THESE WARNINGS COULD RESULT IN SERIOUS INJURY.
- NOTE: SOME SCREWS MAY BE PREASSEMBLED.
- IF PREASSEMBLED, IGNORE ASSEMBLY INSTRUCTIONS.



V5031HR



V5031HG-R