

# ENWORK

## **Table Support Gusset Installation Instructions**

## Table Support Gusset

### Installation Instructions

1. Center the support gusset (left-to-right) about the TT-leg as seen in Figure 1 below. The two tabs which are bent horizontally outward are to be flush with the bottom of the table top.
2. Once in place, first use a #25 drill to drill a hole through each leg on both sides relative to the center holes in the gussets (Indicated by green arrows).
3. Next, use a #10-32 thread cutting Pan Head Screw to secure each gusset firmly to the leg via the center holes (Indicated by green arrows).
4. Finally, use a  $\frac{3}{4}$ " wood screw to secure the gusset to the bottom of the table top via the bent horizontal flanges (Indicated by Yellow arrows).

Figure 1

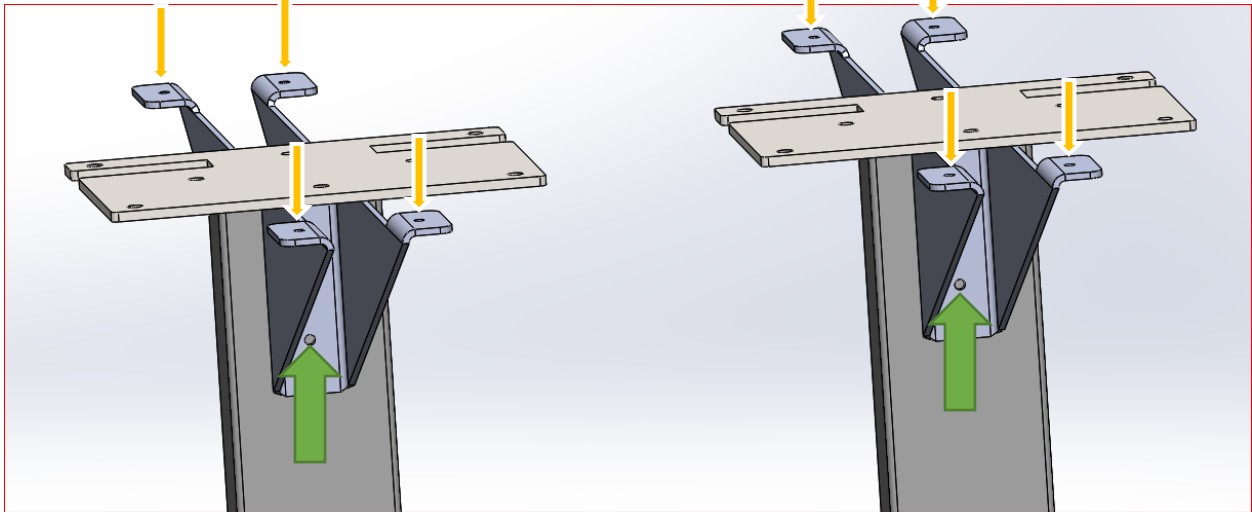


Figure 2 shows the orientation of the gussets from an end view.

Figure 2

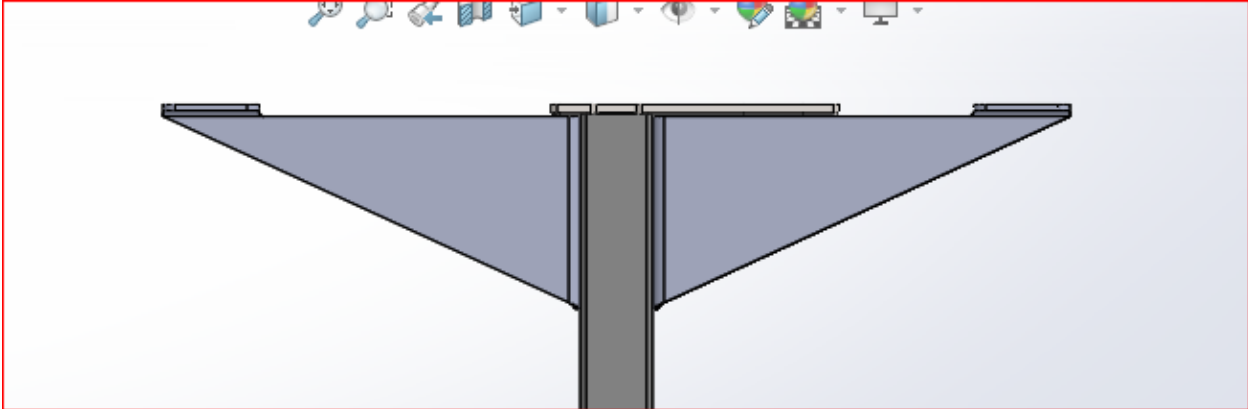


Figure 3 gives a top view of the TT-legs and the relative gussets.

Figure 3

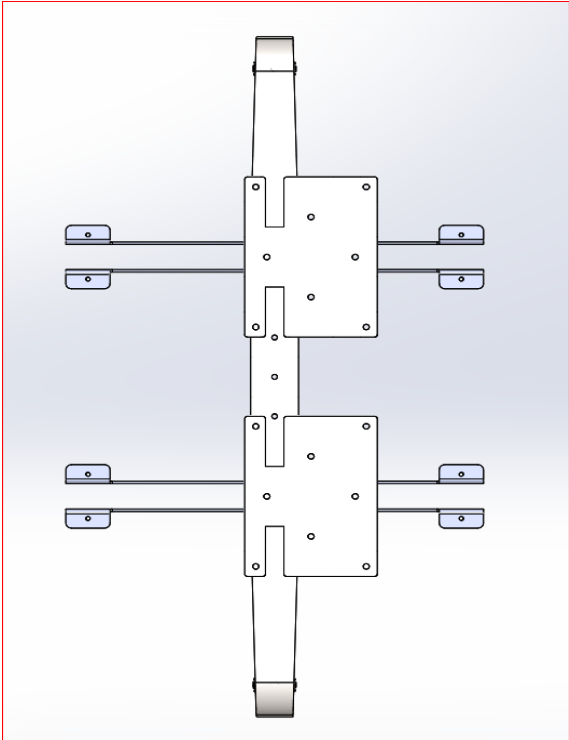


Figure 4 shows how the gusset should be oriented for a straight leg table.

Figure 4

