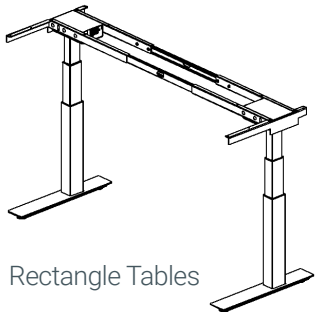


SOLANO VT-SERIES

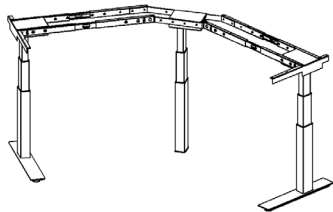
The Solano* VT-Series extended range electric height-adjustable table base provides reliable adjustability in a very robust, affordable package.

Details

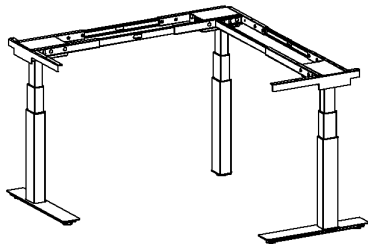
- Individual Bosch® motor for each leg assures smooth operation and a long life
- 2-stage (3-tube) electric with extended adjustment range of 24" - 49.5" (including worksurface)
- Programmable handset with 3 preset buttons and Logic Data controller with range limiting capability included
- Adjustment speed of 1.4" per second
- 220 lbs load capacity (including worksurface) for rectangle tables, 240 lbs load capacity (including worksurface) for corner, L, and 120 applications
- Square tube design with low profile Solano feet on levelers
- Available for rectangle tables, corners, L-workstations, and 120 planning
- Adjustable cross bars fit 48"-72" widths. Extension kit available to fit 84"-96" widths.
- Fits 24" and 30"D worksurfaces
- 1.5" Caster kits available for rectangle applications (Adjustment range 25.5"-51")
- Silver, black, and arctic white paint are standard and typically ship in 48 hours. Additional colors available with extended lead times.



Rectangle Tables



120 Degree Tables



L-Workstations



1.800.815.7251

www.enwork.com

Specifications subject to change without prior notice.

Rev 05.2018