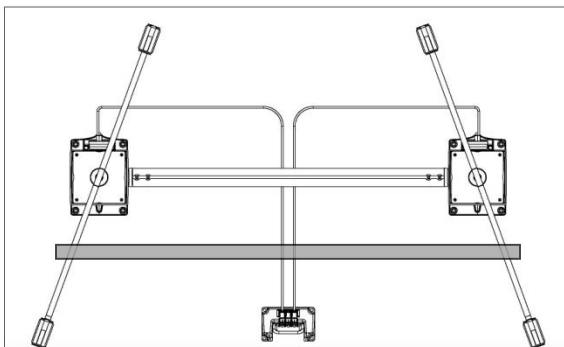
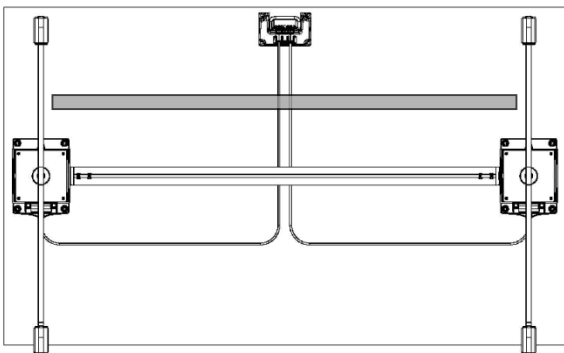
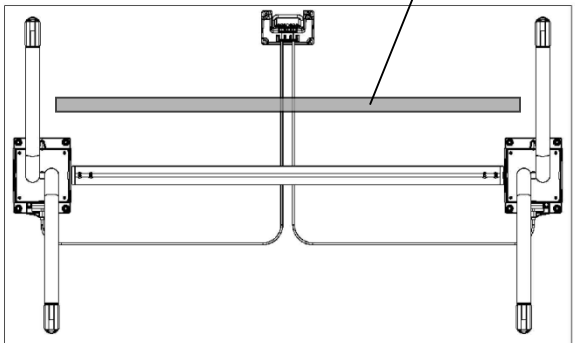




## **Sensation Flip Table Installation Instructions**

Tables Flipping Up



\*Please note Leg Orientation as it relates to the position of the handle and each respective mechanism.

\*Optional Beam Shown

# Installation Instructions

## System Installation

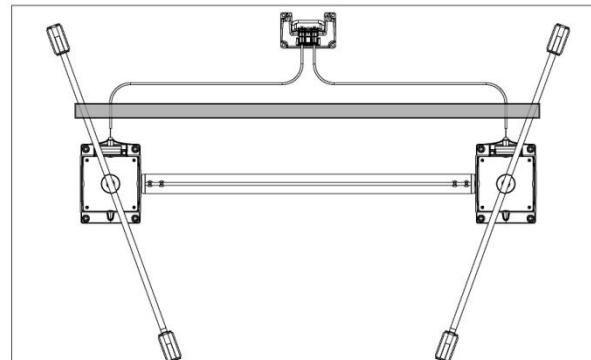
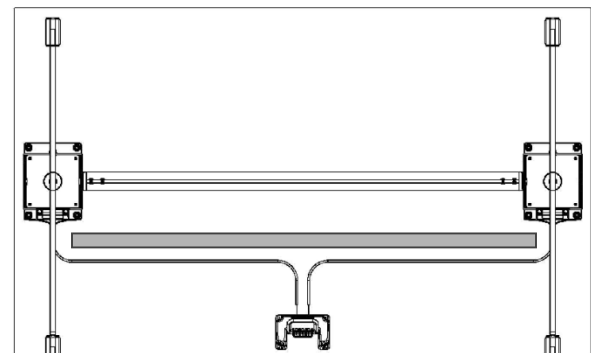
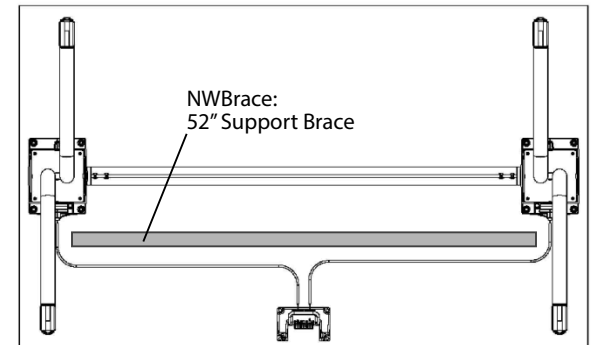
1. Place work surface bottom side up on a non-marring surface.
2. Align holes on mounting plates with pre-drilled holes on bottom side of work surface. Fasten each mounting plate to work surface using the (4) four corner holes with #12 x 1" Phillips Pan Head screws.
3. Align holes on handle base with pre-drilled holes on bottom side of work surface. Fasten handle base to work surface with (4) four #12 x 1" Phillips Pan Head screws.
4. Position cable clips evenly along the cable and fasten to bottom side of work surface with #6 x 1/2" Phillips Pan Head screws.
5. Use handle assembly to release the mechanisms and lock the mechanisms in the upright position.
6. **Critical Step:** Complete installation of the system by fastening each mounting plate to work surface using the (4) four interior holes with #12 x 1" Phillips Pan Head screws.
7. Install NWBrace as shown on tops 60"W and wider.
8. Use handle assembly to release the mechanisms and return the mechanisms to lowered position.

## Leg Installation

1. Match orientation and position to enclosed diagram for each style of table leg and attach each leg with (4) four 1/4"-20 Pan Head Machine Screws.

\*FAILURE TO USE ALL SCREWS PROVIDED MAY VOID PRODUCT WARRANTY

Tables Flipping Down



\*Please note Leg Orientation as it relates to the position of the handle and each respective mechanism.

\*Optional Beam Shown