

O A S I S

Oasis power data assemblies are packed with style, power, and customizable telecom options. Whether your application consists of a large conference table or small meeting space, Oasis offers the perfect solution to meet your individual project needs.

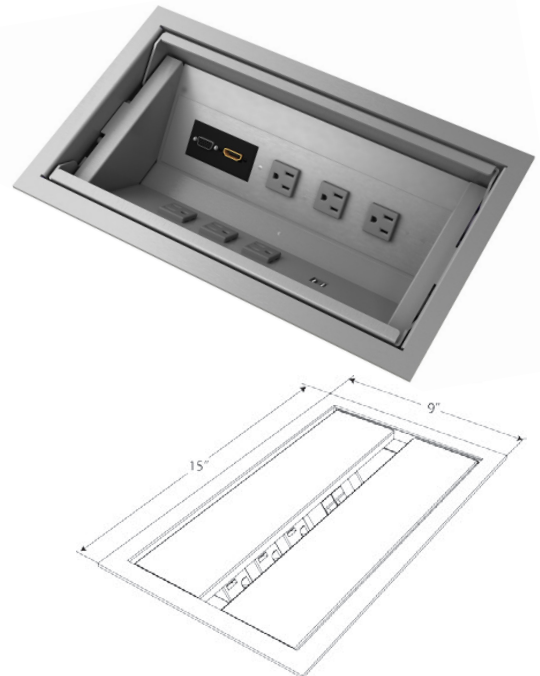
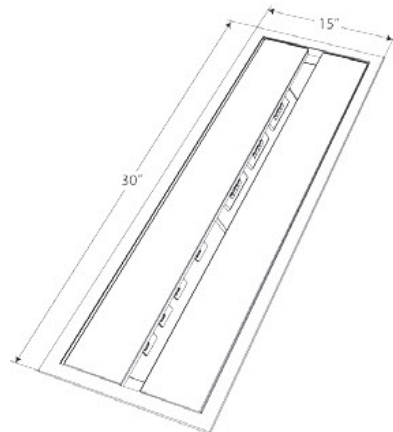
Oasis has two integral aluminum doors that retract into the table to maximize table work surfaces. The available daisy-chain system allows you to link multiple units together from one power infeed, minimizing power cord management to the table.

Details

- 15" assemblies include 6 power receptacles, 2 multiple-connection telecom plates, and two 9-foot power cords
- 30" assemblies include 12 power receptacles, 4 multiple-connection telecom plates, and four 9-foot power cords
- Telecom plates—ordered separately—are available with multiple connections including HDMI, HDVGA, RJ45, Cat6 data, RJ11, DVI, Mini Stereo, USB, and USB Charging
- Available in Black or silver powder coat
- Non-Sequential Daisy-Chain option with choice of infeeds
 - Plug for single circuit applications
 - Hardwire for 2-circuit applications
- UL Listed

Recommended Table Cutout:

8.25" x 14.25" or 8.25" x 29.25"



1.800.815.7251
www.enwork.com

Specifications subject to change without prior notice.

Rev 05.2018