

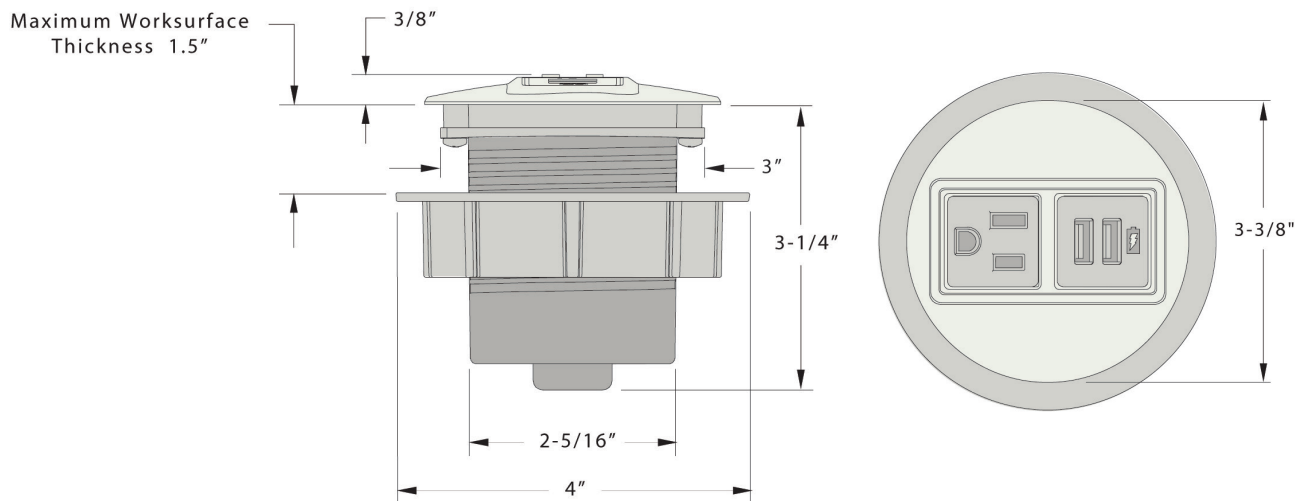
N O D E

Node is an elegant way to bring power and USB charging to the worksurface. Its simple, flush mount keeps power and USB charging close at hand.

Details

- Simple, flush mount design
- Choose 2 power receptacles or 1 power/2 charging USB
- Includes 6-foot, 15 amp power cord
- Painted die-cast Zinc
- Longer cords and Data openings available as specials
- UL Listed

Recommended Table Cutout:
2-15/16" Round



1.800.815.7251
www.enwork.com

Specifications subject to change without prior notice.

Rev 05.2018