

ENWORK

N O D E

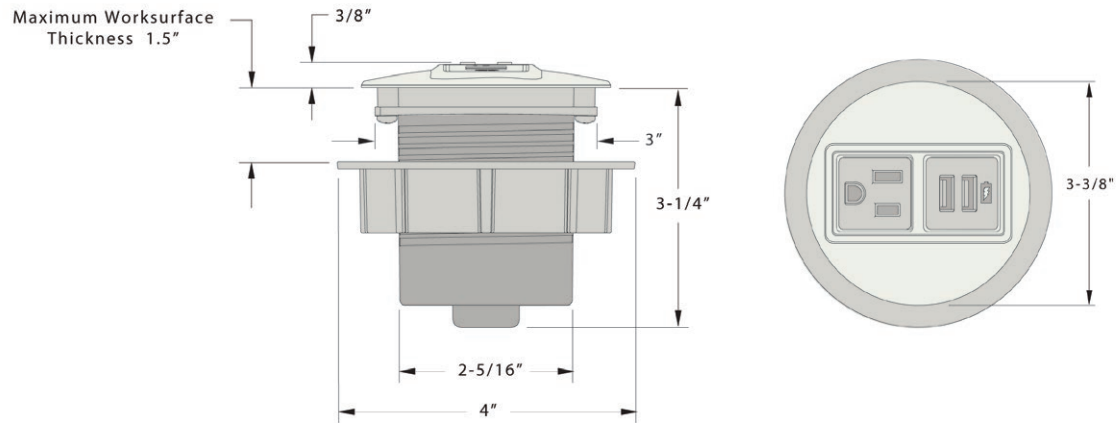


Node is an elegant way to bring power and USB charging to the worksurface. Its simple, flush mount keeps power and USB charging close at hand.

# N O D E

## Power/Data Details

- Simple, flush mount design
- Choose 2 power receptacles or 1 power receptacle/2 charging USB
- Includes 6-foot, 15 amp power cord
- Painted die-cast zinc available in silver, black, or parchment white
- Longer cords and data openings available as specials
- UL Listed



### Recommended Table Cutout:

2-15/16" Round