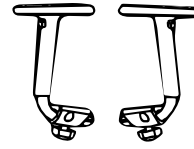
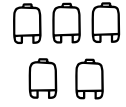


**A (1pc)**



**B (2pcs)**



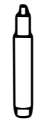
**C (5pcs)**



**D (1pc)**



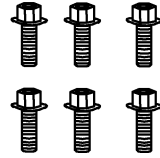
**E (1pc)**



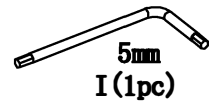
**F (1pc)**



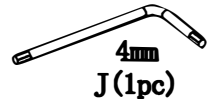
**M8x25  
G (3pcs)**



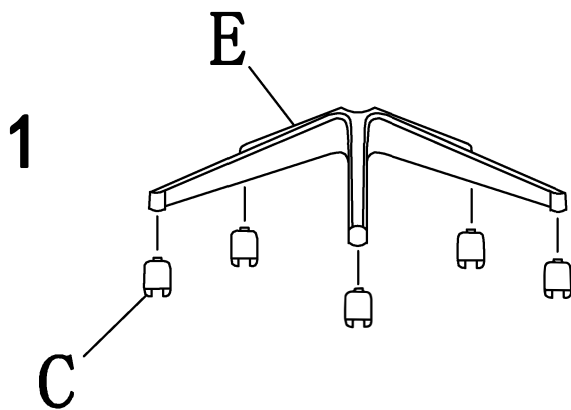
**M6x30  
H (6pcs)**



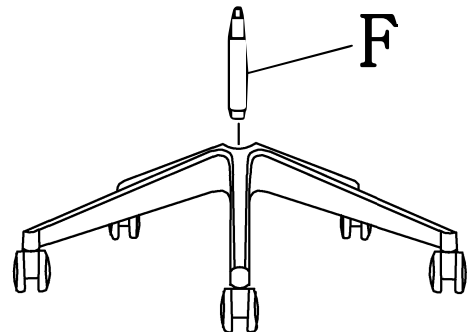
**5mm  
I (1pc)**



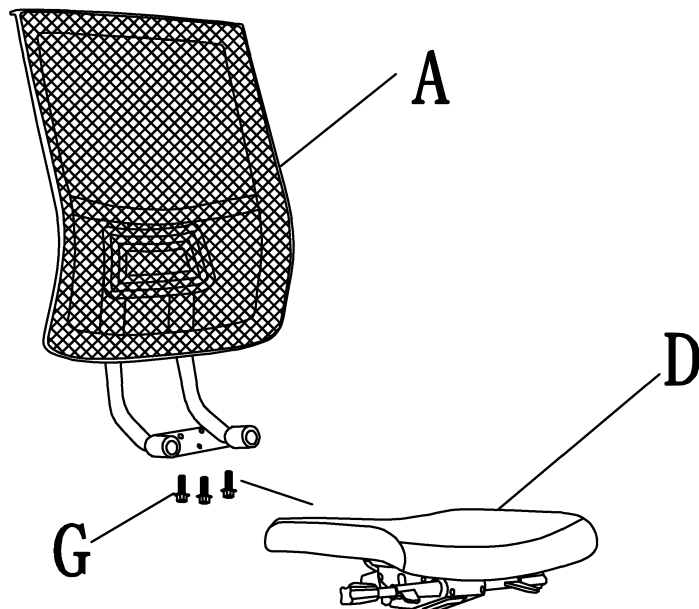
**4mm  
J (1pc)**



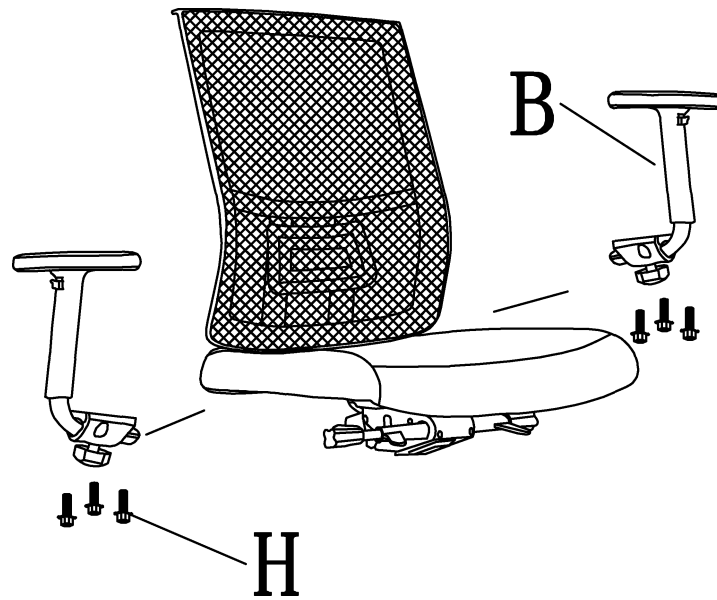
**2**



**3**



4



5

