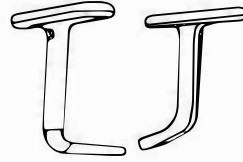
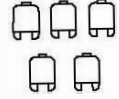


A (1pc)



B (2pcs)



C (5pcs)



D (1pc)



E (1pc)



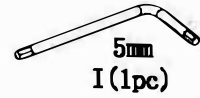
F (1pc)



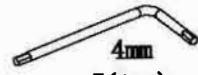
M8x25
G (3pcs)



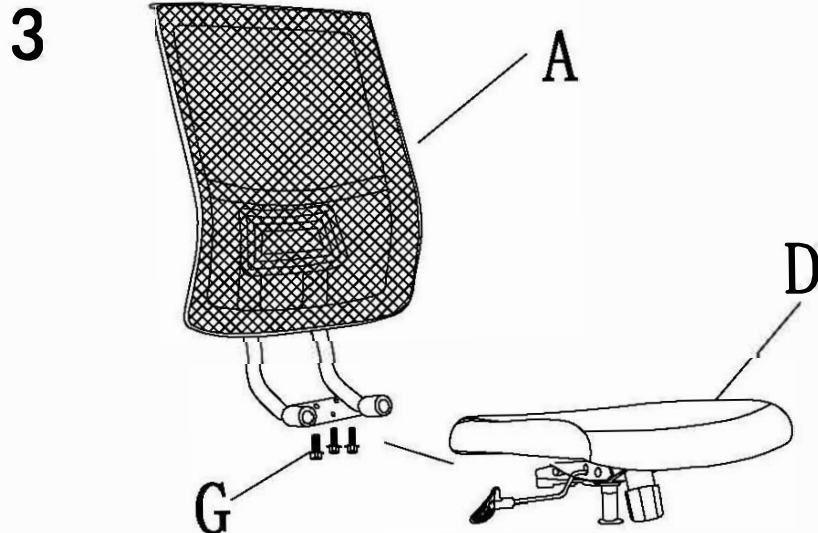
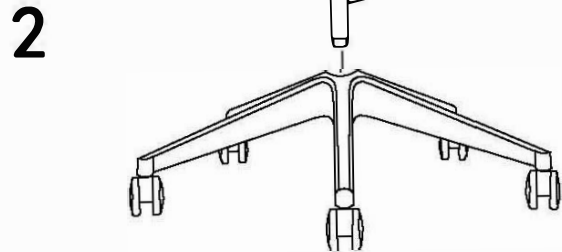
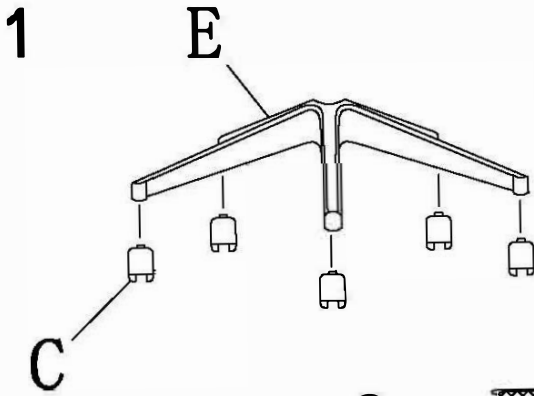
M6x30
H (6pcs)

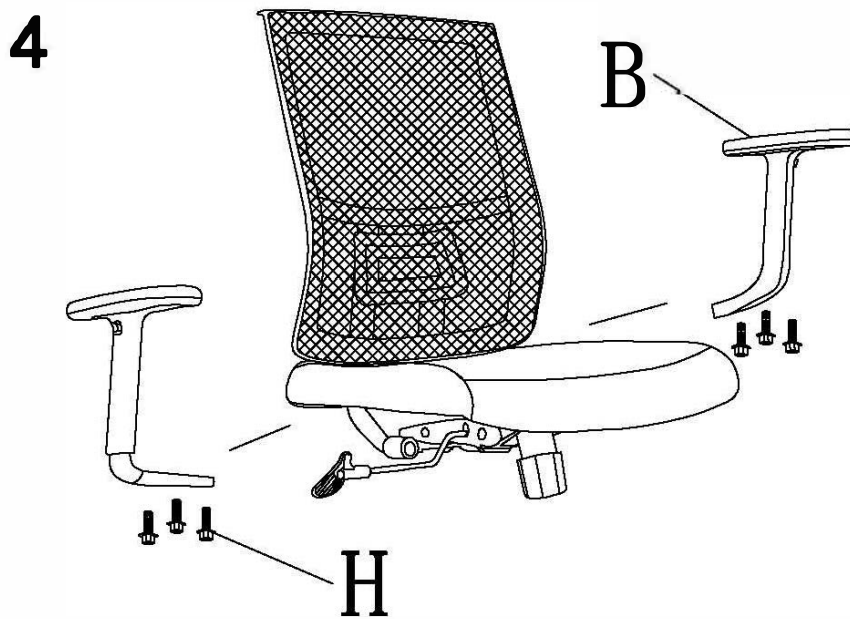


5mm
I (1pc)



4mm
J (1pc)





5

