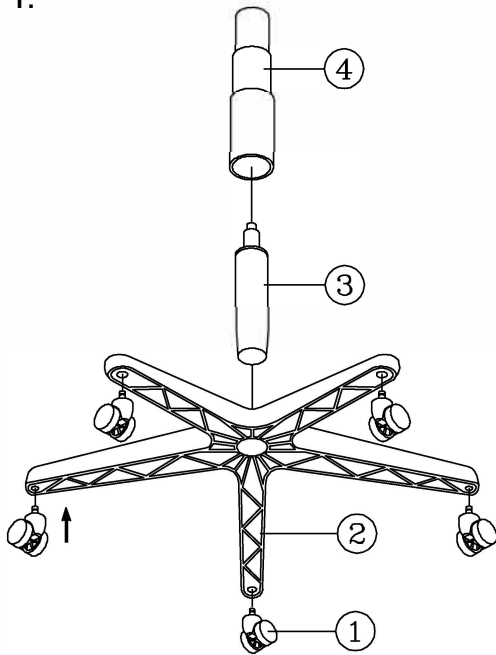


Remove all items from the carton . Verify all pieces before assembly.

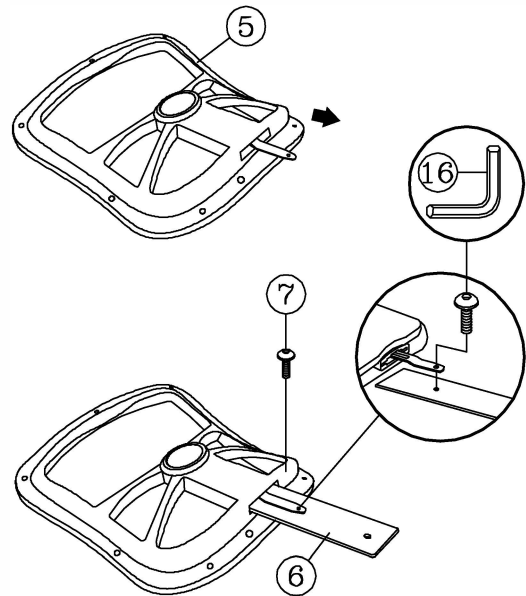
## PARTS LIST

| KEY QTY | DESCRIPTION | KEY QTY         | DESCRIPTION | KEY QTY | DESCRIPTION                         |
|---------|-------------|-----------------|-------------|---------|-------------------------------------|
| 1       | 5           | Caster          | 7           | 1       | Back Post Screw                     |
| 2       | 1           | Base            | 8           | 1       | Seat                                |
| 3       | 1           | Seat Post       | 9           | 1       | Mechanism                           |
| 4       | 1           | Seat Post Cover | 10          | 2       | Arm Bracket                         |
| 5       | 1           | Backrest        | 11          | 2       | Arm Width Adjustment Knob + Washers |
| 6       | 1           | Backrest Post   | 12          | 2       | Armrest                             |
|         |             |                 | 13          | 3       | Back Bolts+ Washers                 |
|         |             |                 | 14          | 1       | Back Post Bellow                    |
|         |             |                 | 15          | 2       | Back Post Bellow Screw              |
|         |             |                 | 16          | 1       | M5 Size Allen Wrench                |
|         |             |                 | 17          | 1       | M6 Size Allen Wrench                |

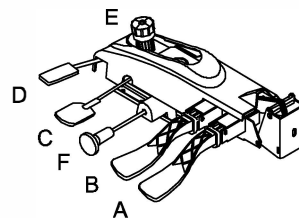
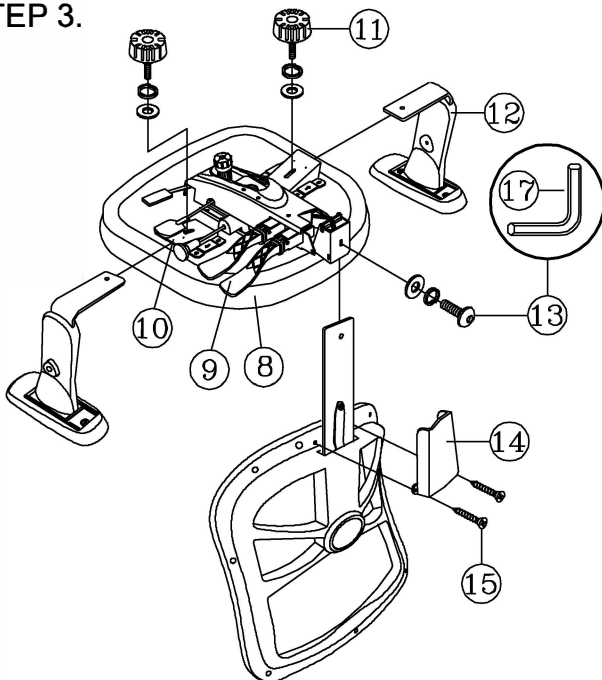
### STEP 1.



### STEP 2.



### STEP 3.



#### MECHANISM INSTRUCTIONS:

- (A) Back angle adjustment lever.
- (B) Combination seat / back angle adjustment lever with infinite lock.
- (C) Seat height adjustment lever.
- (D) Forward tilt lever

\*While seated, lift lever B and then leanback to activate locking mechanism;

\*Pull lever D backward to allow seat to tilt forward - or - push lever D forward to straighten seat;

\*To lock in desired position, push lever B downward.

- (E) Tension control knob -Turn clockwise to increase tension and counter-clockwise to decrease tension.

- (F) Sliding seat:

Seat depth adjusts for different user leg lengths.



#### PREVENTIVE MAINTENANCE AND WARNING!

- USE THIS PRODUCT ONLY FOR SEATING ONE PERSON AT A TIME.
- DO NOT USE THIS CHAIR AS A STEP STOOL / LADDER.
- DO NOT SIT ON ANY PART OF THE CHAIR EXCEPT THE SEAT.
- DO NOT USE CHAIR ON UNEVEN FLOOR SURFACES.
- DO NOT USE CHAIR UNLESS ALL BOLTS, SCREWS AND KNOBS ARE TIGHTENED.
- EVERY SIX MONTHS, PLEASE MAKE SURE ALL BOLTS, SCREWS AND KNOBS ARE FULLY TIGHTENED TO ENSURE STABILITY.

- IF ANY PARTS ARE MISSING, BROKEN, DAMAGED OR WORN, STOP USE OF THE PRODUCT UNTIL REPAIRS ARE MADE USING FACTORY AUTHORIZED PARTS.
- DISPOSE OF PACKAGING PROPERLY. PLASTIC BAG IS NOT A TOY. DO NOT USE PLASTIC BAG AS HEAD COVERING - IT MAY CAUSE SUFFOCATION.
- FAILURE TO FOLLOW THESE WARNINGS COULD RESULT IN SERIOUS INJURY.
- NOTE:SOME SCREWS MAY BE PREASSEMBLED. IF PREASSEMBLED, IGNORE ASSEMBLY INSTRUCTIONS.