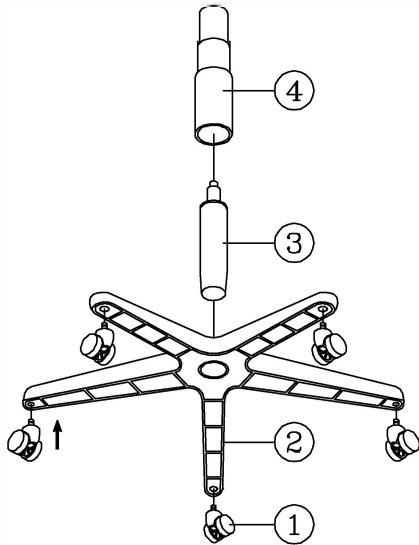


# ENWORK ASSEMBLY INSTRUCTIONS

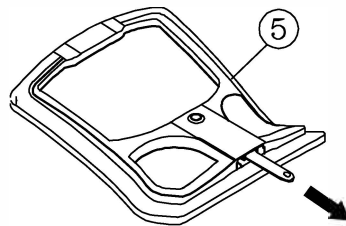
## PARTS LIST

KEY QTY DESCRIPTION	KEY QTY DESCRIPTION	KEY QTY DESCRIPTION
1 5 Caster	7 1 Backrest Screw	12 2 Armrest Bracket
2 1 Base	8 1 Seat	13 1 Back Post Bellow
3 1 Seat Post	9 1 Mechanism	14 2 Back Post Bellow Screw
4 1 Seat Post Cover	10 2 Armrest	15 3 Mechanism Bracket Screw + Washer
5 1 Backrest	11 2 Arm Width Adjustment Knob + Washers	16 1 M5 Size Allen Wrench
6 1 Backrest Post		

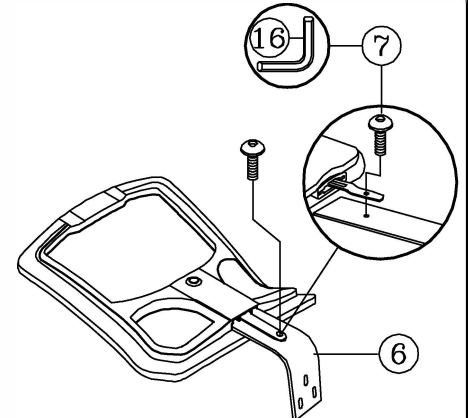
### STEP 1.



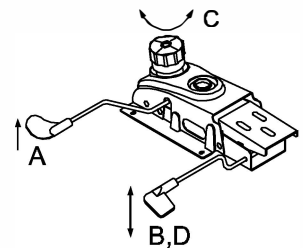
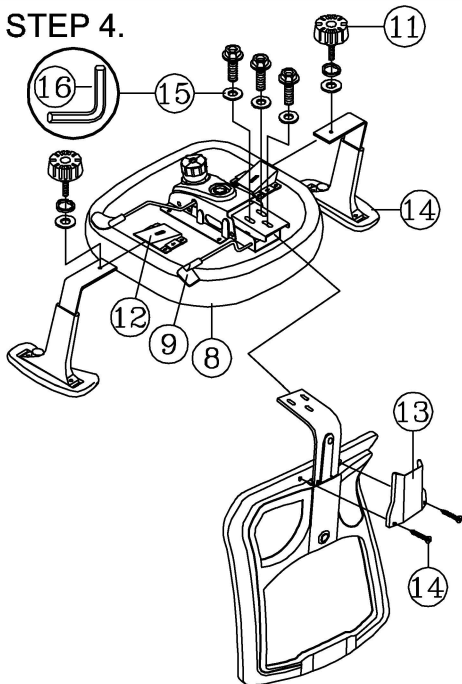
### STEP 2.



### STEP 3.



### STEP 4.



#### **MECHANISM INSTRUCTIONS :**

- (A) **SEAT HEIGHT ADJUSTMENT :**  
Pull lever up and downward.  
Release lever when desired position is reached.
- (B) **BACK TILT ADJUSTMENT :**  
Turn the lever up, move backrest to tilt. To lock in position, turn lever down.
- (C) **TILT TENSION ADJUSTMENT KNOB :**  
Rotate knob clockwise / counterclockwise to adjust tilt tension based on body weight.
- (D) **TILT LOCK**  
Lock and release switch of synchronized tilt with 3-position stop.

#### **ATTENTION**

1. THIS ASSEMBLY INSTRUCTION IS ONLY FOR ASSEMBLING THE CHAIR. THE CHAIR DRAWING MAY BE DIFFERENT FROM CHAIR APPEARANCE.
2. SOME SCREWS MAY PREASSEMBLED , ASSEMBLERS CAN IGNORE THE STEP.
3. REMOVE ALL ITEMS FROM THE CARTON. VERIFY ALL PIECES BEFORE ASSEMBLY.

#### **PREVENTIVE MAINTENANCE AND WARNING!**

- IF ANY PARTS ARE MISSING, BROKEN, DAMAGED OR WORN, STOP USE OF THE PRODUCT UNTIL REPAIRS ARE MADE USING FACTORY AUTHORIZED PARTS.
- DISPOSE OF PACKAGING PROPERLY.
- FAILURE TO FOLLOW THESE WARNINGS COULD RESULT IN SERIOUS INJURY.
- EVERY SIX MONTHS, PLEASE MAKE SURE ALL BOLTS, SCREWS AND KNOBS ARE FULLY TIGHTENED TO ENSURE STABILITY.