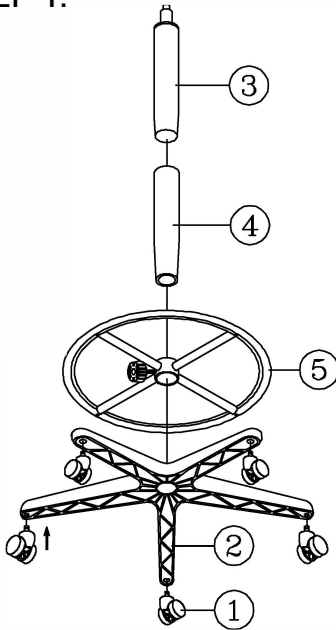


ENWORK ASSEMBLY INSTRUCTIONS

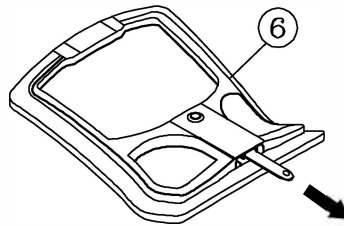
PARTS LIST

KEY	QTY	DESCRIPTION	KEY	QTY	DESCRIPTION	KEY	QTY	DESCRIPTION
1	5	Caster	8	1	Backrest Screw	14	1	Back Post Bellow
2	1	Base	9	1	Seat	15	2	Back Post Bellow Screw
3	1	Seat Post	10	1	Mechanism	16	3	Mechanism Bracket Screw + Washer
4	1	Seat Post Tube	11	2	Armrest Bracket	17	1	M5 Size Allen Wrench
5	1	Footring+Height Adj. Knob	12	2	Armrest			
6	1	Backrest	13	2	Arm Width Adjustment Knob + Washers			
7	1	Backrest Post						

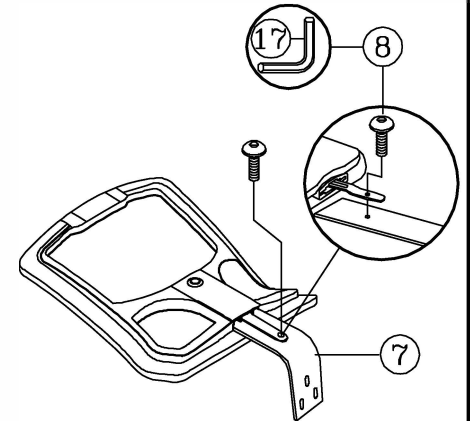
STEP 1.



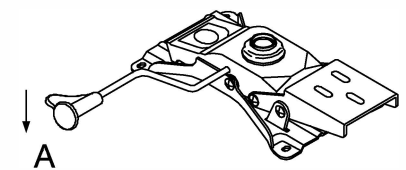
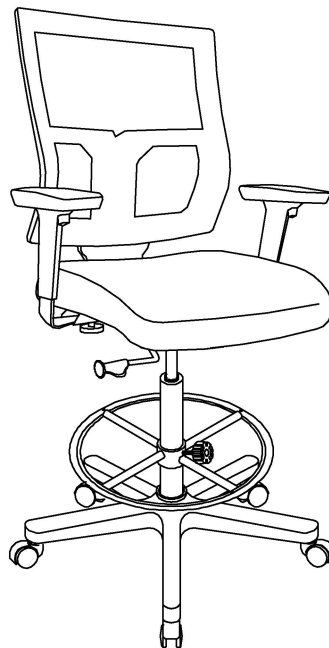
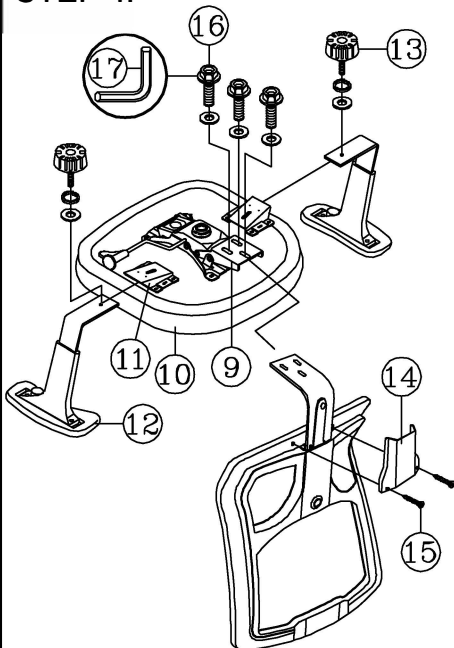
STEP 2.



STEP 3.



STEP 4.



MECHANISM INSTRUCTIONS :

- (A) **SEAT HEIGHT ADJUSTMENT :**
Pull lever up and downward.
Release lever when desired
position is reached.

ATTENTION

1. THIS ASSEMBLY INSTRUCTION IS ONLY FOR ASSEMBLING THE CHAIR. THE CHAIR DRAWING MAY BE DIFFERENT FROM CHAIR APPEARANCE.
2. SOME SCREWS MAY PREASSEMBLED , ASSEMBLERS CAN IGNORE THE STEP.
3. REMOVE ALL ITEMS FROM THE CARTON. VERIFY ALL PIECES BEFORE ASSEMBLY.

PREVENTIVE MAINTENANCE AND WARNING!

- IF ANY PARTS ARE MISSING, BROKEN, DAMAGED OR WORN, STOP USE OF THE PRODUCT UNTIL REPAIRS ARE MADE USING FACTORY AUTHORIZED PARTS.
- DISPOSE OF PACKAGING PROPERLY.
- FAILURE TO FOLLOW THESE WARNINGS COULD RESULT IN SERIOUS INJURY.
- EVERY SIX MONTHS, PLEASE MAKE SURE ALL BOLTS, SCREWS AND KNOBS ARE FULLY TIGHTENED TO ENSURE STABILITY.