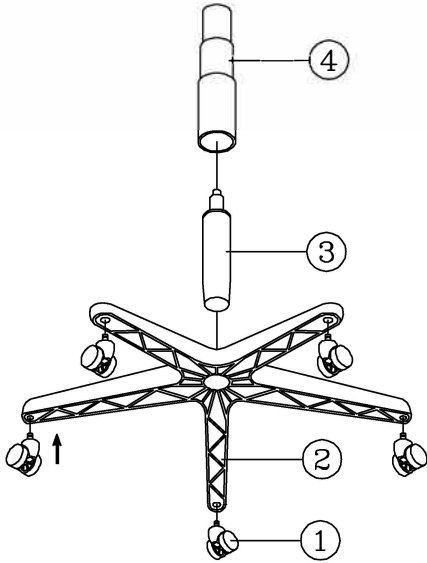


Remove all items from the carton . Verify all pieces before assembly.

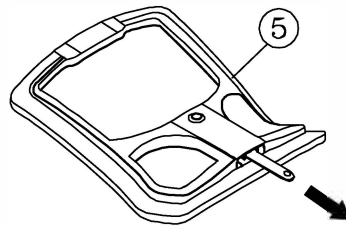
PARTS LIST

KEY	QTY	DESCRIPTION	KEY	QTY	DESCRIPTION	KEY	QTY	DESCRIPTION
1	5	Caster	7	1	Backrest Post Bellow	12	2	Armrest
2	1	Base	8	1	Seat	13	1	Backrest Bolt + Washers
3	1	Seat Post	9	1	Mechanism	14	1	Back Post Bellow
4	1	Seat Post Cover	10	2	Arm Bracket	15	2	Back Post Bellow Screw
5	1	Backrest	11	1	Arm Width Adjustment Knob + Washers	16	1	M5 Size Allen Wrench
6	1	Backrest Post				17	1	M6 Size Allen Wrench

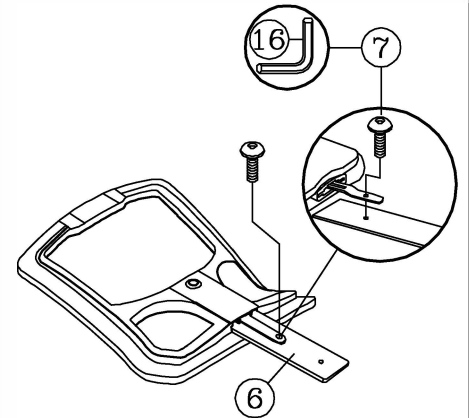
STEP 1.



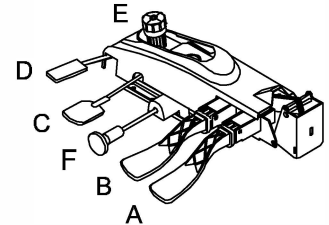
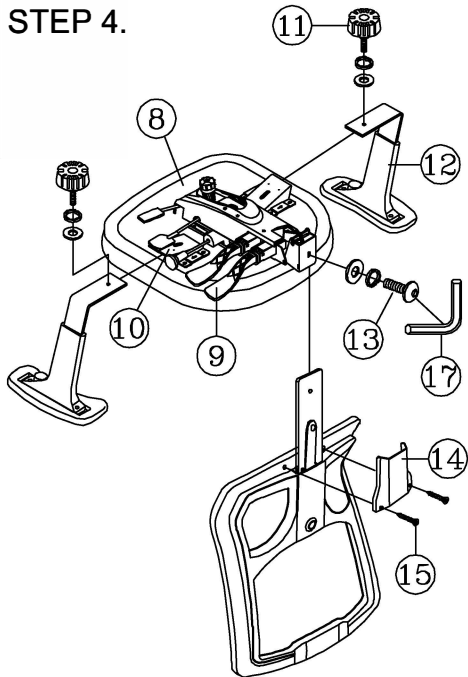
STEP 2.



STEP 3.



STEP 4.



MECHANISM INSTRUCTIONS

- (A) Back angle adjustment lever.
- (B) Combination seat / back angle adjustment lever with infinite lock.
- (C) Seat height adjustment leve.
- (D) Forward tilt lever-
*Lift lever B to activate the forward tilt.
*Pull lever D backward to allow you to lean to a forward position and push lever B downward to lock position once the desired angle is reached.
- (E) Tension control knob-Tum colockwise to increase tension and counter-clockwise to decrease tension.
- (F) Sliding seat:
Seat depth adjusts for different user leg lengths.

PREVENTIVE MAINTENANCE AND WARNING!

- USE THIS PRODUCT ONLY FOR SEATING ONE PERSON AT A TIME.
- DO NOT USE THIS CHAIR AS A STEP STOOL / LADDER.
- DO NOT SIT ON ANY PART OF THE CHAIR EXCEPT THE SEAT.
- DO NOT USE CHAIR ON UNEVEN FLOOR SURFACES.
- DO NOT USE CHAIR UNLESS ALL BOLTS, SCREWS AND KNOBS ARE TIGHTENED.
- EVERY SIX MONTHS, PLEASE MAKE SURE ALL BOLTS, SCREWS AND KNOBS ARE FULLY TIGHTENED TO ENSURE STABILITY.
- IF ANY PARTS ARE MISSING, BROKEN, DAMAGED OR WORN, STOP USE OF THE PRODUCT UNTIL REPAIRS ARE MADE USING FACTORY AUTHORIZED PARTS.
- DISPOSE OF PACKAGING PROPERLY. PLASTIC BAG IS NOT A TOY. DO NOT USE PLASTIC BAG AS HEAD COVERING - IT MAY CAUSE SUFFOCATION.
- FAILURE TO FOLLOW THESE WARNINGS COULD RESULT IN SERIOUS INJURY.
- NOTE:SOME SCREWS MAY BE PREASSEMBLED. IF PREASSEMBLED, IGNORE ASSEMBLY INSTRUCTIONS.